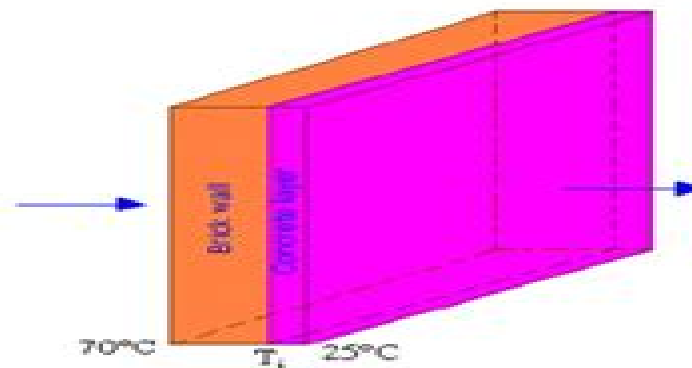


SOLVED PROBLEMS IN HEAT TRANSFER

Heat Loss by Conduction

A plane brick wall, 25 cm thick, is faced with 5 cm thick concrete layer. If the temperature of the exposed brick face is 70°C and that of the concrete is 25°C, find out the heat lost per hour through a wall of 15 m × 10 m. Also, determine the interface temperature. Thermal conductivity of the brick and concrete are 0.7 W/m.K and 0.95 W/m.K respectively.

Calculations:



$$\text{Heat loss } Q = (T_a - T_b) / R$$

Where $T_a = 70^\circ\text{C}$; $T_b = 25^\circ\text{C}$; and

$$R = R_{\text{brick}} + R_{\text{concrete}}$$

$$R_{\text{brick}} = L_{\text{brick}} / (A k_{\text{brick}})$$

$$R_{\text{concrete}} = L_{\text{concrete}} / (A k_{\text{concrete}})$$

$$A = 15 \times 10 = 150 \text{ m}^2$$

$$R_{\text{brick}} = 0.25 / (150 \times 0.7) = 2.381 \times 10^{-3} \text{ }^\circ\text{C}/\text{W}$$

$$R_{\text{concrete}} = 0.05 / (150 \times 0.95) = 3.509 \times 10^{-4} \text{ }^\circ\text{C}/\text{W}$$

$$R = 2.381 \times 10^{-3} + 3.509 \times 10^{-4} = 2.732 \times 10^{-3} \text{ }^\circ\text{C}/\text{W}$$

$$Q = (70 - 25) / (2.732 \times 10^{-3}) = 16471.4 \text{ W} = 16471.4 \text{ J/sec} = 59.3 \text{ MJ/hr}$$

Heat loss per hour = 59.3 MJ

At steady state, this is the amount of heat transferred through the brick wall or concrete per hour.

$$Q = A k_{\text{brick}} (T_a - T_i) / L_{\text{brick}} = 16471.4 \text{ W}$$

$$150 \times 0.7 \times (70 - T_i) / 0.25 = 16471.4$$

$$70 - T_i = 39.2$$

$$T_i = 70 - 39.2 = 30.8^\circ\text{C}$$

Interface temperature $T_i = 30.8^\circ\text{C}$

One Thousand Solved Problems In Heat Transfer

S Baum



One Thousand Solved Problems In Heat Transfer:

Discover tales of courage and bravery in Crafted by is empowering ebook, **One Thousand Solved Problems In Heat Transfer** . In a downloadable PDF format (PDF Size: *), this collection inspires and motivates. Download now to witness the indomitable spirit of those who dared to be brave.

https://staging.gilderlehrman.org/results/virtual-library/Download_PDFS/Easy%20Method%20To%20Create%20Marketing%20Funnel%20With%20AI%20Without%20Paid%20Ads%20BATCH13%2046.pdf

Table of Contents One Thousand Solved Problems In Heat Transfer

1. Understanding the eBook One Thousand Solved Problems In Heat Transfer
 - The Rise of Digital Reading One Thousand Solved Problems In Heat Transfer
 - Advantages of eBooks Over Traditional Books
2. Identifying One Thousand Solved Problems In Heat Transfer
 - Exploring Different Genres
 - Considering Fiction vs. Non-Fiction
 - Determining Your Reading Goals
3. Choosing the Right eBook Platform
 - Popular eBook Platforms
 - Features to Look for in an One Thousand Solved Problems In Heat Transfer
 - User-Friendly Interface
4. Exploring eBook Recommendations from One Thousand Solved Problems In Heat Transfer
 - Personalized Recommendations
 - One Thousand Solved Problems In Heat Transfer User Reviews and Ratings
 - One Thousand Solved Problems In Heat Transfer and Bestseller Lists
5. Accessing One Thousand Solved Problems In Heat Transfer Free and Paid eBooks
 - One Thousand Solved Problems In Heat Transfer Public Domain eBooks
 - One Thousand Solved Problems In Heat Transfer eBook Subscription Services
 - One Thousand Solved Problems In Heat Transfer Budget-Friendly Options

6. Navigating One Thousand Solved Problems In Heat Transfer eBook Formats
 - ePub, PDF, MOBI, and More
 - One Thousand Solved Problems In Heat Transfer Compatibility with Devices
 - One Thousand Solved Problems In Heat Transfer Enhanced eBook Features
7. Enhancing Your Reading Experience
 - Adjustable Fonts and Text Sizes of One Thousand Solved Problems In Heat Transfer
 - Highlighting and Note-Taking One Thousand Solved Problems In Heat Transfer
 - Interactive Elements One Thousand Solved Problems In Heat Transfer
8. Staying Engaged with One Thousand Solved Problems In Heat Transfer
 - Joining Online Reading Communities
 - Participating in Virtual Book Clubs
 - Following Authors and Publishers One Thousand Solved Problems In Heat Transfer
9. Balancing eBooks and Physical Books One Thousand Solved Problems In Heat Transfer
 - Benefits of a Digital Library
 - Creating a Diverse Reading Collection One Thousand Solved Problems In Heat Transfer
10. Overcoming Reading Challenges
 - Dealing with Digital Eye Strain
 - Minimizing Distractions
 - Managing Screen Time
11. Cultivating a Reading Routine One Thousand Solved Problems In Heat Transfer
 - Setting Reading Goals One Thousand Solved Problems In Heat Transfer
 - Carving Out Dedicated Reading Time
12. Sourcing Reliable Information of One Thousand Solved Problems In Heat Transfer
 - Fact-Checking eBook Content of One Thousand Solved Problems In Heat Transfer
 - Distinguishing Credible Sources
13. Promoting Lifelong Learning
 - Utilizing eBooks for Skill Development
 - Exploring Educational eBooks
14. Embracing eBook Trends
 - Integration of Multimedia Elements

- Interactive and Gamified eBooks

One Thousand Solved Problems In Heat Transfer Introduction

Free PDF Books and Manuals for Download: Unlocking Knowledge at Your Fingertips In today's fast-paced digital age, obtaining valuable knowledge has become easier than ever. Thanks to the internet, a vast array of books and manuals are now available for free download in PDF format. Whether you are a student, professional, or simply an avid reader, this treasure trove of downloadable resources offers a wealth of information, conveniently accessible anytime, anywhere. The advent of online libraries and platforms dedicated to sharing knowledge has revolutionized the way we consume information. No longer confined to physical libraries or bookstores, readers can now access an extensive collection of digital books and manuals with just a few clicks. These resources, available in PDF, Microsoft Word, and PowerPoint formats, cater to a wide range of interests, including literature, technology, science, history, and much more. One notable platform where you can explore and download free One Thousand Solved Problems In Heat Transfer PDF books and manuals is the internet's largest free library. Hosted online, this catalog compiles a vast assortment of documents, making it a veritable goldmine of knowledge. With its easy-to-use website interface and customizable PDF generator, this platform offers a user-friendly experience, allowing individuals to effortlessly navigate and access the information they seek. The availability of free PDF books and manuals on this platform demonstrates its commitment to democratizing education and empowering individuals with the tools needed to succeed in their chosen fields. It allows anyone, regardless of their background or financial limitations, to expand their horizons and gain insights from experts in various disciplines. One of the most significant advantages of downloading PDF books and manuals lies in their portability. Unlike physical copies, digital books can be stored and carried on a single device, such as a tablet or smartphone, saving valuable space and weight. This convenience makes it possible for readers to have their entire library at their fingertips, whether they are commuting, traveling, or simply enjoying a lazy afternoon at home. Additionally, digital files are easily searchable, enabling readers to locate specific information within seconds. With a few keystrokes, users can search for keywords, topics, or phrases, making research and finding relevant information a breeze. This efficiency saves time and effort, streamlining the learning process and allowing individuals to focus on extracting the information they need. Furthermore, the availability of free PDF books and manuals fosters a culture of continuous learning. By removing financial barriers, more people can access educational resources and pursue lifelong learning, contributing to personal growth and professional development. This democratization of knowledge promotes intellectual curiosity and empowers individuals to become lifelong learners, promoting progress and innovation in various fields. It is worth noting that while accessing free One Thousand Solved Problems In Heat Transfer PDF books and manuals is convenient and cost-effective, it is vital to respect copyright laws and intellectual property rights. Platforms

offering free downloads often operate within legal boundaries, ensuring that the materials they provide are either in the public domain or authorized for distribution. By adhering to copyright laws, users can enjoy the benefits of free access to knowledge while supporting the authors and publishers who make these resources available. In conclusion, the availability of One Thousand Solved Problems In Heat Transfer free PDF books and manuals for download has revolutionized the way we access and consume knowledge. With just a few clicks, individuals can explore a vast collection of resources across different disciplines, all free of charge. This accessibility empowers individuals to become lifelong learners, contributing to personal growth, professional development, and the advancement of society as a whole. So why not unlock a world of knowledge today? Start exploring the vast sea of free PDF books and manuals waiting to be discovered right at your fingertips.

FAQs About One Thousand Solved Problems In Heat Transfer Books

How do I know which eBook platform is the best for me? Finding the best eBook platform depends on your reading preferences and device compatibility. Research different platforms, read user reviews, and explore their features before making a choice. Are free eBooks of good quality? Yes, many reputable platforms offer high-quality free eBooks, including classics and public domain works. However, make sure to verify the source to ensure the eBook credibility. Can I read eBooks without an eReader? Absolutely! Most eBook platforms offer webbased readers or mobile apps that allow you to read eBooks on your computer, tablet, or smartphone. How do I avoid digital eye strain while reading eBooks? To prevent digital eye strain, take regular breaks, adjust the font size and background color, and ensure proper lighting while reading eBooks. What the advantage of interactive eBooks? Interactive eBooks incorporate multimedia elements, quizzes, and activities, enhancing the reader engagement and providing a more immersive learning experience. One Thousand Solved Problems In Heat Transfer is one of the best book in our library for free trial. We provide copy of One Thousand Solved Problems In Heat Transfer in digital format, so the resources that you find are reliable. There are also many Ebooks of related with One Thousand Solved Problems In Heat Transfer. Where to download One Thousand Solved Problems In Heat Transfer online for free? Are you looking for One Thousand Solved Problems In Heat Transfer PDF? This is definitely going to save you time and cash in something you should think about. If you trying to find then search around for online. Without a doubt there are numerous these available and many of them have the freedom. However without doubt you receive whatever you purchase. An alternate way to get ideas is always to check another One Thousand Solved Problems In Heat Transfer. This method for see exactly what may be included and adopt these ideas to your book. This site will almost certainly help you save time and effort, money and stress. If you are looking for free books then you really should consider finding to assist you try this. Several of One Thousand Solved Problems In Heat Transfer are for sale to free while some are payable. If you arent sure if

the books you would like to download works with for usage along with your computer, it is possible to download free trials. The free guides make it easy for someone to free access online library for download books to your device. You can get free download on free trial for lots of books categories. Our library is the biggest of these that have literally hundreds of thousands of different products categories represented. You will also see that there are specific sites catered to different product types or categories, brands or niches related with One Thousand Solved Problems In Heat Transfer. So depending on what exactly you are searching, you will be able to choose e books to suit your own need. Need to access completely for Campbell Biology Seventh Edition book? Access Ebook without any digging. And by having access to our ebook online or by storing it on your computer, you have convenient answers with One Thousand Solved Problems In Heat Transfer To get started finding One Thousand Solved Problems In Heat Transfer, you are right to find our website which has a comprehensive collection of books online. Our library is the biggest of these that have literally hundreds of thousands of different products represented. You will also see that there are specific sites catered to different categories or niches related with One Thousand Solved Problems In Heat Transfer So depending on what exactly you are searching, you will be able to choose ebook to suit your own need. Thank you for reading One Thousand Solved Problems In Heat Transfer. Maybe you have knowledge that, people have search numerous times for their favorite readings like this One Thousand Solved Problems In Heat Transfer, but end up in harmful downloads. Rather than reading a good book with a cup of coffee in the afternoon, instead they juggled with some harmful bugs inside their laptop. One Thousand Solved Problems In Heat Transfer is available in our book collection an online access to it is set as public so you can download it instantly. Our digital library spans in multiple locations, allowing you to get the most less latency time to download any of our books like this one. Merely said, One Thousand Solved Problems In Heat Transfer is universally compatible with any devices to read.

Find One Thousand Solved Problems In Heat Transfer :

[easy method to create marketing funnel with AI without paid ads BATCH13-462](#)

[complete beginner guide to use AI for local SEO that actually works BATCH13-355](#)

[complete beginner guide to automate customer service with AI in 2026 BATCH13-524](#)

[best way to create marketing funnel with AI without paid ads BATCH13-1460](#)

[free way to grow email list using AI organically BATCH13-520](#)

[how to rank website using AI SEO tools for small business owners BATCH13-1164](#)

[low budget way to grow email list using AI for content creators BATCH13-457](#)

[step by step guide to create online course using AI for content creators BATCH13-1573](#)

[step by step guide to use AI for local SEO for content creators BATCH13-707](#)

low budget way to automate business with AI step by step BATCH13-1611

step by step guide to create faceless YouTube channel with AI for small business owners BATCH13-1625

affordable way to automate customer service with AI in the United States BATCH13-1972

best way to create AI chatbot for business for small business owners BATCH13-312

proven strategy to use AI for small business with free tools BATCH13-1998

proven strategy to optimize website content using AI for beginners BATCH13-1828

One Thousand Solved Problems In Heat Transfer :

anastasia again anastasia krupnik book 2 kindle edition - Aug 16 2023

web oct 26 1981 anastasia krupnik book 2 kindle edition by lowry lois download it once and read it on your kindle device pc phones or tablets use features like bookmarks note taking and highlighting while reading anastasia again

anastasia again anastasia krupnik book 2 english edition - May 13 2023

web anastasia again anastasia krupnik book 2 english edition ebook lowry lois amazon de kindle shop

anastasia krupnik kindle edition amazon com - Oct 06 2022

web oct 24 1979 twelve year old anastasia has a series of disastrous experiences when expecting to get a job as a lady s companion she is hired to be a maid anastasia s seventh grade science project becomes almost more than she can handle but brother sam age three and a bust of freud nobly aid her

anastasia again anastasia krupnik book 2 english edition - Apr 12 2023

web anastasia again anastasia krupnik book 2 english edition ebook lowry lois amazon de kindle store

anastasia krupnik wikipedia - Aug 04 2022

web anastasia krupnik 1979 is the first book of a popular series of middle grade novels by lois lowry depicting the title character s life as a girl just trying to grow up anastasia deals with everyday problems such as popularity the wart on her thumb or the new arrival of her little brother sam

anastasia again anastasia krupnik book 2 english edition - Jan 09 2023

web anastasia again anastasia krupnik book 2 english edition ebook lowry lois amazon es tienda kindle

anastasia again anastasia krupnik book 2 english edition - Sep 05 2022

web anastasia again anastasia krupnik book 2 english edition ebook lowry lois amazon com mx tienda kindle

anastasia again anastasia krupnik story paperback - Nov 07 2022

web anastasia krupnik is one of the most intriguing female protagonists to appear in children s books since the advent of harriet the spy genuinely funny the story is a marvelously human portrait of an articulate adolescent horn book

anastasia krupnik series by lois lowry goodreads - Feb 10 2023

web book 2 anastasia again by lois lowry 3 87 3 377 ratings 160 reviews published 1981 47 editions twelve year old anastasia krupnik is convinced tha want to read

anastasia again wikipedia - Mar 11 2023

web anastasia again 1981 is a young adult novel by lois lowry it is part of her anastasia and sam series and the sequel to anastasia krupnik

anastasia again anastasia krupnik book 2 kindle edition - Dec 28 2021

web anastasia again anastasia krupnik book 2 ebook lowry lois amazon ca kindle store

anastasia again anastasia krupnik book 2 english edition - Dec 08 2022

web anastasia again anastasia krupnik book 2 english edition ebook lowry lois amazon com br livros

anastasia again an anastasia krupnik story amazon com - Mar 31 2022

web jan 6 2015 horn book anastasia krupnik is one of the most intriguing female protagonists to appear in children s books since the advent of harriet the spy genuinely funny the story is a marvelously human portrait of an articulate adolescent

anastasia bk 2 anastasia again an anastasia krupnik story by - Feb 27 2022

web jan 6 2015 booktopia has anastasia bk 2 anastasia again an anastasia krupnik story by lois lowry buy a discounted paperback of anastasia bk 2 anastasia again online from australia s leading online bookstore

anastasia again anastasia krupnik series amazon com - May 01 2022

web oct 15 1982 award winning author lois lowry has an undeniable knack for knowing the minds of young people from anastasia s 2 year old brother in all about sam to the 10 year old anastasia krupnik to the precocious preteen character in this engaging novel don t miss the rest of lowry s anastasia series as wildly funny touching and loaded with

anastasia again anastasia krupnik 2 by lois lowry goodreads - Jul 15 2023

web anastasia again by lois lowry is a funny book about a girl named anastasia krupnik anastasia is horrified when she finds out her family is moving to the suburbs anastasia whines about how terrible it is there and she won t agree to move there

anastasia again by lois lowry anastasia krupnik 2 bookroo - Jun 14 2023

web anastasia again by lois lowry anastasia krupnik 2 3 9 5 goodreads anastasia again written by lois lowry book 2 in the anastasia krupnik series paperback 7 99 7 59 add to cart 8 12 reading age 192 page count 170 words per page 700l lexile measure jan 6 2015 publication date buy from other retailers amazon bookshop

anastasia again anastasia krupnik book 2 english edition - Jul 03 2022

web achetez et téléchargez ebook anastasia again anastasia krupnik book 2 english edition boutique kindle emotions feelings amazon fr

editions of anastasia again by lois lowry goodreads - Jun 02 2022

web editions for anastasia again 0440400090 paperback published in 1982 kindle edition 0395311470 hardcover published in 1981 0544336674 paperbac

anastasia again anastasia krupnik bk 2 book outlet - Jan 29 2022

web twelve year old anastasia is horrified at her family s decision to move from the city s apartment to a house in the suburbs
w design İç mimarlık is on instagram 141 posts on their profile - Dec 06 2022

web 17 9k followers 966 following 141 posts see instagram photos and videos from w design İç mimarlık wdesignofficial
wdesignofficial follow 141 posts 17 9k followers

w design international company profile pdf uniport edu - Feb 08 2023

web apr 3 2023 w design international company profile 2 6 downloaded from uniport edu ng on april 3 2023 by guest
provision of the global supply chain the

w d i about wdesign international - Aug 14 2023

web about w design international based in tokyo we are a visionary company and have been providing consultancy services to
hospitality clients in japan since 2004 we are

w design international company profile - Oct 04 2022

web w design international company profile united design international llc udi company details get up to date business
information contact details latest news and

w design international company profile - Aug 02 2022

web design and gardening building and construction building services and systems engineering real estate development and
facility management and job leads doing

w design international company profile - Apr 29 2022

web mar 14 2023 w design international company profile 1 6 downloaded from uniport edu ng on march 14 2023 by guest w
design international company profile

w design international company profile jetpack theaoi - Jan 07 2023

web w design international company profile creativeans is a corporate design firm and branding company based in singapore
creativeans combine international design

w design international company profile jetpack theaoi - Sep 03 2022

web international company profile what you with to read w design international company profile downloaded from
wodbydesign com by guest carlo maddox computerworld

w design international company profile - Oct 24 2021

web sep 12 2023 mgm resorts international reported a cybersecurity issue on monday that may have impacted its hospitality gaming and entertainment properties across the

w design international company profile bundy laverdad edu ph - Dec 26 2021

web this w design international company profile as one of the bulk functioning sellers here will completely be accompanied by the best choices to review ultimately you will

w d i - Jul 13 2023

web w design international conceptualises japan s first aloft property mag tecture jp aloft tokyo ginza aloft s first entry into japan opened in october 2020 hoteldesigens net first

w design international company profile pdf uniport edu - Mar 29 2022

web genoa design international ltd is a marine production design company based in st john s nl genoa provides production lofting and detail design services to marine and

w design international company profile 2023 - May 31 2022

web w design international company profile w design international company profile working at ga design international sdn bhd company profile pro design

w design international company profile liululu - Nov 24 2021

web jun 28 2023 w design international company profile pdf w design international company profile download sat 21 apr 2018 12 12 00 gmt w

mgm resorts says cybersecurity issue may have widespread - Sep 22 2021

web proclamation w design international company profile that you are looking for it will utterly squander the time however below when you visit this web page it will be as a result

w design international overview signalhire company profile - Mar 09 2023

web w design international headquarters is in japan w design international is in the sectors of construction design to connect with w design international s employee register

w design international linkedin - Apr 10 2023

web w design international 25 followers on linkedin boutique lifestyle hotel concept design development we focus on all aspects of hospitality development including

w design international company profile bespoke cityam - Feb 25 2022

web you could purchase guide w design international company profile or get it as soon as feasible you could quickly download this w design international company profile after

w design international company profile management and - Jun 12 2023

web find contact information for w design international learn about their architecture engineering design construction market share competitors and w design

w design studio linkedin - Nov 05 2022

web international pte ltd company sportswear design international inc company profile w design international company profile download k8 international graphic

w design international company profile pdf uniport edu - Jan 27 2022

web w design international company profile w secure broadcast design international inc company march 5th 2018 company profile amp key executives for broadcast

w design international company profile - Jul 01 2022

web w design international overview signalhire company profile web w design international overview we focus on all aspects of hospitality development including due diligence

w design international company profile 2022 villeta - Aug 22 2021

w design international overview news competitors zoominfo - May 11 2023

web w design international architecture engineering design japan 25 employees we are experts at bringing innovation and creative thinking to lifestyle boutique hotel

di luce riflessa traduzione in inglese esempi italiano reverso - Feb 09 2023

web mostrare più questo riduce la quantità di luce riflessa e aumenta la resa energetica this reduces the amount of reflected light and increases the energy yield a seconda dell angolo di luce riflessa si creano ambientazioni cromatiche diverse che risaltano questa finitura dai

di luce riflessa facebook - Jan 08 2023

web di luce riflessa is on facebook join facebook to connect with di luce riflessa and others you may know facebook gives people the power to share and makes the world more open and connected

di luce riflessa anna fienberg libro rizzoli bur ragazzi ibs - Aug 15 2023

web cally pensa di sé di essere una luna che brilla della luce riflessa da persone più carismatiche le stelle ma quando a sedici anni rimane incinta scopre di non avere più ombre dietro cui nascondersi corpi celesti attorno a cui gravitare al centro della sua galassia c è lei e solo lei

riflessi di luce wikipedia - Mar 10 2023

web riflessi di luce also known in english speaking countries as reflections of light is a 1988 italian erotic movie directed by mario bianchi and starring pamela prati plot sick after an accident in which he lost his wife a musician is angry with the

whole world in a secluded villa where a bisexual a lesbian and a spoiled kid live the

amazon it riflessi di luce - Nov 06 2022

web fedeli nuziali riflessi di luce anelli unici hand made in italy con lavorazione artigianale in oro 18 kt 750 920 00 consegna a 10 25 mag 1 giu made in italy personalizzalo

brillano di luce riflessa cruciverba dizi - Jan 28 2022

web definizioni che puoi trovare nei cruciverba e che contengono la parola brillano corpi che non brillano di luce propria brillano nei forzieri brillano nel firmamento parole crociate con il termine riflessa il bagliore della luce solare riflessa splendono solo

di luce riflessa profiles facebook - Mar 30 2022

web view the profiles of people named di luce riflessa join facebook to connect with di luce riflessa and others you may know facebook gives people the

di luce riflessa song and lyrics by curvarcobaleno spotify - Jun 01 2022

web curvarcobaleno song 2019

translation of di luce riflessa in english reverse context - Sep 04 2022

web translations in context of di luce riflessa in italian english from reverse context questo riduce la quantità di luce riflessa e aumenta la resa energetica

di luce riflessa visionnaire home philosophy - Oct 05 2022

web a synesthetic narrative based on a vision of studiopepe arianna lelli mami and chiara di pinto to describe a capsule collection of three pieces designed for visionnaire the shibari chair the parade lighting system and the blanche set of two mirrors

riflessi di luce wikipedia - Apr 11 2023

web riflessi di luce è un film erotico drammatico del 1988 diretto da mario bianchi e interpretato da pamelapрати e gabriele tinti

translation of luce riflessa in english reverse context - Jul 02 2022

web translations in context of luce riflessa in italian english from reverse context stiamo conducendo ulteriori ricerche spirituali per scoprire la causa di questa differenza di luce riflessa

[riflessi di luce con pamelapрати film by film clips](#) - Aug 03 2022

web oct 23 2021 riflessi di luce con pamelapрати film by film clips regia mario bianchisceneggiatura francesco valitutticast pamelapрати gabriele tinti loredana ro

di luce riflessa youtube - Dec 27 2021

web provided to youtube by distrokiddi luce riflessa curvarcobalenocurvarcobaleno curvarcobalenoreleased on 2019 02
23auto generated by youtube

brillare di luce riflessa significato dizionario italiano de mauro - Jul 14 2023

web brillare di luce riflessa loc v co avere fama notorietà non per meriti propri ma per essere in relazione con persone celebri
o in vista correzioni e suggerimenti il dizionario di italiano dalla a alla z a b

di luce riflessa storie di luna amazon com tr kitap - May 12 2023

web arama yapmak istediğiniz kategoriye seçin

riflessi di luce amazon com - Dec 07 2022

web sep 15 2009 in una villa di periferia vive un noto compositore costretto su una sedia a rotelle dopo un drammatico
incidente in cui la moglie ha perso la vita l uomo vive con il figlio ventenne e una giovane compagna a cui e legato in un
disperato e morboso rapporto d amore la giovane matrigna trovera nel ragazzo un conforto per i suoi rimpianti

riflessione fisica wikipedia - Apr 30 2022

web la riflessione del cielo e del bosco nel lago spechtensee in stiria austria riflesso su sabbia e acqua in fisica la riflessione è
il fenomeno per cui un onda che si propaga lungo l interfaccia tra differenti mezzi cambia di direzione a

riflessi di luce film completo by film clips youtube - Jun 13 2023

web nov 24 2022 riflessi di luce film completo by film clips regia mario bianchisceneggiatura francesco valituttistar pamela
prati gabriele tinti loredana romito 1988

polarizzazione per riflessione 1 università degli studi di - Feb 26 2022

web se si analizza la luce riflessa per angoli di incidenza crescenti si osserva un massimo di trasmissione attraverso il
polaroid orientandolo sempre nello stesso modo verticalmente nella situazione illustrata nelle figure qui riportate e la luce
risulta maggiormente polarizzata per angoli di incidenza prossimi a 60