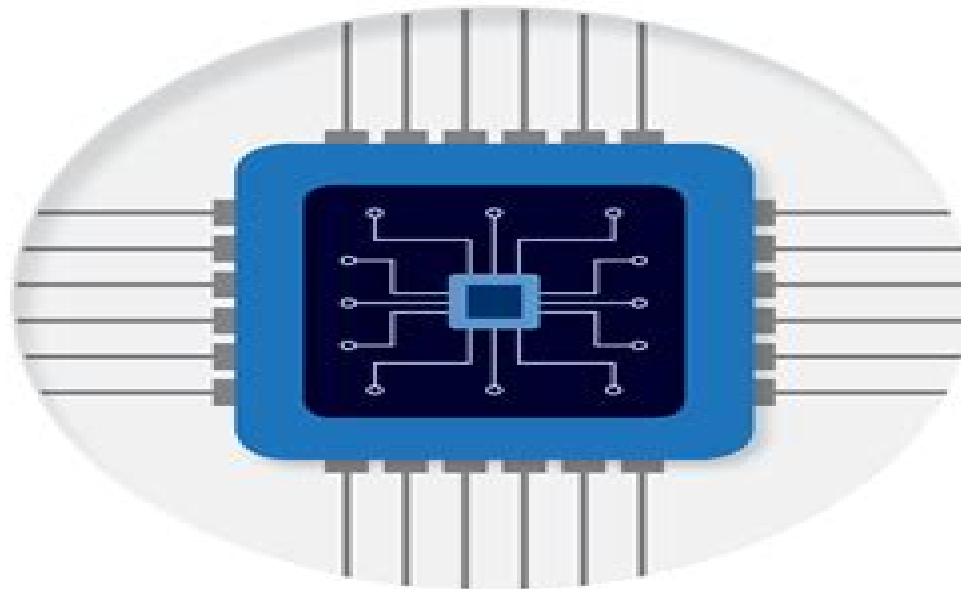


SEDRA/SMITH

Microelectronic Circuits

EIGHTH EDITION

ADEL S. SEDRA | KENNETH C. SMITH | TONY CHAN CARUSONE | VINCENT GAUDET



Microelectronic Circuits

**Vincent C. Gaudet, Kenneth C.
Smith, Professor Department of
Electrical and Electronic Engineering
Kenneth C Smith**

Microelectronic Circuits:

Microelectronic Circuits Adel S. Sedra, Kenneth Carless Smith, 1991 In the Third Edition of their bestselling design oriented treatment of discrete and integrated circuits Sedra Smith anticipate future trends in the teaching of core electronics to electrical and computer engineering students A major reorganization of the material enables students to get to the heart of the subject much more quickly And for instructors the text now divided into three parts is more flexible than ever before allowing maximum latitude in course design It includes over 800 end of chapter problems covering all topics with a graded level of difficulty Covered are the latest circuit technologies of BiCMOS and Gallium Arsenide GaAs data converters and memory Material on power supply design filters and oscillators has been expanded **Microelectronic Circuits** Adel S. Sedra, Kenneth C. Smith, 2010-07-29 This market leading textbook continues its standard of excellence and innovation built on the solid pedagogical foundation that instructors expect from Adel S Sedra and Kenneth C Smith All material in the international sixth edition of Microelectronic Circuits is thoroughly updated to reflect changes in technology CMOS technology in particular These technological changes have shaped the book s organization and topical coverage making it the most current resource available for teaching tomorrow s engineers how to analyze and design electronic circuits In addition end of chapter problems unique to this version of the text help preserve the integrity of instructor assignments

Microelectronic Circuits Adel Sedra, Kenneth C Smith, Tony Chan Carusone, Vincent Gaudet, 2019-11 Microelectronic Circuits by Sedra and Smith has served generations of electrical and computer engineering students as the best and most widely used text for this required course Respected equally as a textbook and reference Sedra Smith combines a thorough presentation of fundamentals with an introduction to present day IC technology It remains the best text for helping students progress from circuit analysis to circuit design developing design skills and insights that are essential to successful practice in the field Significantly revised with the input of two new coauthors slimmed down and updated with the latest innovations Microelectronic Circuits Eighth Edition remains the gold standard in providing the most comprehensive flexible accurate and design oriented treatment of electronic circuits available today Microelectronic Circuits Muhammad H. Rashid, 2011

Microelectronic Circuits Adel S. Sedra, Kenneth Carless Smith, 1987 *Microelectronic Circuits and Applications* John Millar Carroll, 1965 Microelectronic Circuits 7th Edition Sedra, 2014-11-14 **Microelectronic Circuits: Analysis & Design** Muhammad H. Rashid, 2010-04-19 MICROELECTRONIC CIRCUITS ANALYSIS AND DESIGN combines a breadth first approach to teaching electronics with a strong emphasis on electronics design and simulation Professor Rashid first introduces students to the general characteristics of circuits ICs to prepare them for the use of circuit design and analysis techniques He then moves on to a more detailed study of devices and circuits and how they operate within ICs This approach makes the text easily adaptable to both one and two term electronics courses Student s gain a strong systems perspective and can readily fill in device level detail as the course and their job requires In addition Rashid author of five successful texts

on PSpice and power electronics directly addresses student s needs for applying theory to real world design problems by mastering the use of PSpice for testing and verifying their designs More than 50% of the problems and examples in the text concentrate on design with PSpice used extensively in the design problems Important Notice Media content referenced within the product description or the product text may not be available in the ebook version

Microelectronic Circuits and Devices Mark N. Horenstein,1996 Microelectronic Circuit Design Richard C. Jaeger,Travis N. Blalock,2008 This text develops a comprehensive understanding of the basic techniques of modern electronic circuit design discrete integrated analog digital It includes problem sets at the end of each chapter that are graded in level of difficulty *Computer-aided Design of Microelectronic Circuits and Systems: General introduction and analog-circuit aspects* A. F. Schwarz,1987

Designing with Hybrid Microelectronic Circuits ,1968 Microelectronic Circuits and Devices Mark N. Horenstein,1990 *Computer-aided Design of Microelectronic Circuits and Systems: Digital-circuit aspects and state of the art* A. F. Schwarz,1987 An Examination of the Applicability of Microelectronic Circuits to the Telemetry and Command Subsystems of Several Applications Spacecraft ,1965 United States Policy Regarding the Export of Satellites to China United States. Congress. House. Committee on National Security,1999 *Microelectronic Circuits 5th Ed + Spice 2nd Ed* Adel S. Sedra,Kenneth C. Smith,Gordon Roberts,2004-03

Laboratory Explorations to Accompany Microelectronic Circuits, Sixth Edition Vincent C. Gaudet,Kenneth C. Smith,Professor Department of Electrical and Electronic Engineering Kenneth C Smith,2013-07-10 Designed to accompany Microelectronic Circuits by Adel S Sedra and Kenneth C Smith Laboratory Explorations invites students to explore the realm of real world engineering through practical hands on experiments Taking a learn by doing approach it presents labs that focus on the development of practical engineering skills and design practices Experiments start from concepts and hand analysis and include simulation measurement and post measurement discussion components A complete solutions manual is available to adopting instructors FEATURES Includes clear and concise experiments of varying levels of difficulty Challenging Extra Exploration sections follow each experiment Each experiment is conveniently designed to fit into a 2 or 3 hour lab period and can be completed using minimal equipment Also compatible with National Instrument s myDAQ giving students the opportunity to complete assignments outside of the traditional lab environment PACKAGING OPTIONS Bundle Laboratory Explorations with Microelectronic Circuits Sixth Edition for great savings Speak to your Oxford University Press sales representative for more information PACKAGE 1 Laboratory Explorations Microelectronic Circuits 6E Package ISBN 978 0 19 932924 3 PACKAGE 2 Laboratory Explorations Microelectronic Circuits 6E FREE Added Problems Supplement Package ISBN 978 0 19 932923 6

Microelectronic Circuits and Devices Mark N. Horenstein,1996 KC's Problems and Solutions for Microelectronic Circuits Kenneth Carless Smith,1998 One of the most enduring trademarks of Microelectronic Circuits by Adel Sedra and KC Smith has been its wealth of problems and solutions This manual includes hundreds of extra problems and solutions of varying degrees of

difficulty for student review The solutions are completely worked out to facilitate self study KC Smith has devised ever more challenging inventive problems that focus on the design and problem solving skills students need

This is likewise one of the factors by obtaining the soft documents of this **Microelectronic Circuits** by online. You might not require more get older to spend to go to the book commencement as capably as search for them. In some cases, you likewise get not discover the message Microelectronic Circuits that you are looking for. It will unquestionably squander the time.

However below, later you visit this web page, it will be correspondingly unconditionally easy to get as capably as download guide Microelectronic Circuits

It will not acknowledge many grow old as we accustom before. You can pull off it even though operate something else at home and even in your workplace. in view of that easy! So, are you question? Just exercise just what we come up with the money for under as with ease as review **Microelectronic Circuits** what you in the same way as to read!

<https://staging.gilderlehrman.org/public/detail/Documents/How%20To%20Automate%20Business%20With%20AI%20Without%20Paid%20Ads%20BATCH68%201224.pdf>

Table of Contents Microelectronic Circuits

1. Understanding the eBook Microelectronic Circuits
 - The Rise of Digital Reading Microelectronic Circuits
 - Advantages of eBooks Over Traditional Books
2. Identifying Microelectronic Circuits
 - Exploring Different Genres
 - Considering Fiction vs. Non-Fiction
 - Determining Your Reading Goals
3. Choosing the Right eBook Platform
 - Popular eBook Platforms
 - Features to Look for in an Microelectronic Circuits
 - User-Friendly Interface
4. Exploring eBook Recommendations from Microelectronic Circuits

- Personalized Recommendations
 - Microelectronic Circuits User Reviews and Ratings
 - Microelectronic Circuits and Bestseller Lists
5. Accessing Microelectronic Circuits Free and Paid eBooks
 - Microelectronic Circuits Public Domain eBooks
 - Microelectronic Circuits eBook Subscription Services
 - Microelectronic Circuits Budget-Friendly Options
 6. Navigating Microelectronic Circuits eBook Formats
 - ePub, PDF, MOBI, and More
 - Microelectronic Circuits Compatibility with Devices
 - Microelectronic Circuits Enhanced eBook Features
 7. Enhancing Your Reading Experience
 - Adjustable Fonts and Text Sizes of Microelectronic Circuits
 - Highlighting and Note-Taking Microelectronic Circuits
 - Interactive Elements Microelectronic Circuits
 8. Staying Engaged with Microelectronic Circuits
 - Joining Online Reading Communities
 - Participating in Virtual Book Clubs
 - Following Authors and Publishers Microelectronic Circuits
 9. Balancing eBooks and Physical Books Microelectronic Circuits
 - Benefits of a Digital Library
 - Creating a Diverse Reading Collection Microelectronic Circuits
 10. Overcoming Reading Challenges
 - Dealing with Digital Eye Strain
 - Minimizing Distractions
 - Managing Screen Time
 11. Cultivating a Reading Routine Microelectronic Circuits
 - Setting Reading Goals Microelectronic Circuits
 - Carving Out Dedicated Reading Time
 12. Sourcing Reliable Information of Microelectronic Circuits

- Fact-Checking eBook Content of Microelectronic Circuits
 - Distinguishing Credible Sources
13. Promoting Lifelong Learning
- Utilizing eBooks for Skill Development
 - Exploring Educational eBooks
14. Embracing eBook Trends
- Integration of Multimedia Elements
 - Interactive and Gamified eBooks

Microelectronic Circuits Introduction

In today's digital age, the availability of Microelectronic Circuits books and manuals for download has revolutionized the way we access information. Gone are the days of physically flipping through pages and carrying heavy textbooks or manuals. With just a few clicks, we can now access a wealth of knowledge from the comfort of our own homes or on the go. This article will explore the advantages of Microelectronic Circuits books and manuals for download, along with some popular platforms that offer these resources. One of the significant advantages of Microelectronic Circuits books and manuals for download is the cost-saving aspect. Traditional books and manuals can be costly, especially if you need to purchase several of them for educational or professional purposes. By accessing Microelectronic Circuits versions, you eliminate the need to spend money on physical copies. This not only saves you money but also reduces the environmental impact associated with book production and transportation. Furthermore, Microelectronic Circuits books and manuals for download are incredibly convenient. With just a computer or smartphone and an internet connection, you can access a vast library of resources on any subject imaginable. Whether you're a student looking for textbooks, a professional seeking industry-specific manuals, or someone interested in self-improvement, these digital resources provide an efficient and accessible means of acquiring knowledge. Moreover, PDF books and manuals offer a range of benefits compared to other digital formats. PDF files are designed to retain their formatting regardless of the device used to open them. This ensures that the content appears exactly as intended by the author, with no loss of formatting or missing graphics. Additionally, PDF files can be easily annotated, bookmarked, and searched for specific terms, making them highly practical for studying or referencing. When it comes to accessing Microelectronic Circuits books and manuals, several platforms offer an extensive collection of resources. One such platform is Project Gutenberg, a nonprofit organization that provides over 60,000 free eBooks. These books are primarily in the public domain, meaning they can be freely distributed and downloaded. Project Gutenberg offers a wide range of classic literature, making it an excellent resource for literature enthusiasts. Another popular platform for Microelectronic Circuits

books and manuals is Open Library. Open Library is an initiative of the Internet Archive, a non-profit organization dedicated to digitizing cultural artifacts and making them accessible to the public. Open Library hosts millions of books, including both public domain works and contemporary titles. It also allows users to borrow digital copies of certain books for a limited period, similar to a library lending system. Additionally, many universities and educational institutions have their own digital libraries that provide free access to PDF books and manuals. These libraries often offer academic texts, research papers, and technical manuals, making them invaluable resources for students and researchers. Some notable examples include MIT OpenCourseWare, which offers free access to course materials from the Massachusetts Institute of Technology, and the Digital Public Library of America, which provides a vast collection of digitized books and historical documents. In conclusion, Microelectronic Circuits books and manuals for download have transformed the way we access information. They provide a cost-effective and convenient means of acquiring knowledge, offering the ability to access a vast library of resources at our fingertips. With platforms like Project Gutenberg, Open Library, and various digital libraries offered by educational institutions, we have access to an ever-expanding collection of books and manuals. Whether for educational, professional, or personal purposes, these digital resources serve as valuable tools for continuous learning and self-improvement. So why not take advantage of the vast world of Microelectronic Circuits books and manuals for download and embark on your journey of knowledge?

FAQs About Microelectronic Circuits Books

How do I know which eBook platform is the best for me? Finding the best eBook platform depends on your reading preferences and device compatibility. Research different platforms, read user reviews, and explore their features before making a choice. Are free eBooks of good quality? Yes, many reputable platforms offer high-quality free eBooks, including classics and public domain works. However, make sure to verify the source to ensure the eBook credibility. Can I read eBooks without an eReader? Absolutely! Most eBook platforms offer webbased readers or mobile apps that allow you to read eBooks on your computer, tablet, or smartphone. How do I avoid digital eye strain while reading eBooks? To prevent digital eye strain, take regular breaks, adjust the font size and background color, and ensure proper lighting while reading eBooks. What the advantage of interactive eBooks? Interactive eBooks incorporate multimedia elements, quizzes, and activities, enhancing the reader engagement and providing a more immersive learning experience. Microelectronic Circuits is one of the best book in our library for free trial. We provide copy of Microelectronic Circuits in digital format, so the resources that you find are reliable. There are also many Ebooks of related with Microelectronic Circuits. Where to download Microelectronic Circuits online for free? Are you looking for Microelectronic Circuits PDF? This is definitely going to save you

time and cash in something you should think about. If you trying to find then search around for online. Without a doubt there are numerous these available and many of them have the freedom. However without doubt you receive whatever you purchase. An alternate way to get ideas is always to check another Microelectronic Circuits. This method for see exactly what may be included and adopt these ideas to your book. This site will almost certainly help you save time and effort, money and stress. If you are looking for free books then you really should consider finding to assist you try this. Several of Microelectronic Circuits are for sale to free while some are payable. If you arent sure if the books you would like to download works with for usage along with your computer, it is possible to download free trials. The free guides make it easy for someone to free access online library for download books to your device. You can get free download on free trial for lots of books categories. Our library is the biggest of these that have literally hundreds of thousands of different products categories represented. You will also see that there are specific sites catered to different product types or categories, brands or niches related with Microelectronic Circuits. So depending on what exactly you are searching, you will be able to choose e books to suit your own need. Need to access completely for Campbell Biology Seventh Edition book? Access Ebook without any digging. And by having access to our ebook online or by storing it on your computer, you have convenient answers with Microelectronic Circuits To get started finding Microelectronic Circuits, you are right to find our website which has a comprehensive collection of books online. Our library is the biggest of these that have literally hundreds of thousands of different products represented. You will also see that there are specific sites catered to different categories or niches related with Microelectronic Circuits So depending on what exactly you are searching, you will be able to choose ebook to suit your own need. Thank you for reading Microelectronic Circuits. Maybe you have knowledge that, people have search numerous times for their favorite readings like this Microelectronic Circuits, but end up in harmful downloads. Rather than reading a good book with a cup of coffee in the afternoon, instead they juggled with some harmful bugs inside their laptop. Microelectronic Circuits is available in our book collection an online access to it is set as public so you can download it instantly. Our digital library spans in multiple locations, allowing you to get the most less latency time to download any of our books like this one. Merely said, Microelectronic Circuits is universally compatible with any devices to read.

Find Microelectronic Circuits :

[how to automate business with AI without paid ads BATCH68-1224](#)

[how to build AI automation agency in 2026 BATCH68-921](#)

[affordable way to offer AI services to clients that actually works BATCH68-2106](#)

[step by step guide to grow email list using AI step by step BATCH68-731](#)

~~[proven strategy to use AI for TikTok growth for small business owners BATCH68-246](#)~~

complete beginner guide to generate leads using AI with free tools BATCH68-851

step by step guide to create digital products with AI with free tools BATCH68-2162

step by step guide to create online course using AI without paid ads BATCH68-1678

easy method to make money with AI tools for small business owners BATCH68-864

free way to generate leads using AI for content creators BATCH68-450

step by step guide to make money with AI tools that actually works BATCH68-1664

best way to create digital products with AI that actually works BATCH68-2025

easy method to optimize website content using AI in 2026 BATCH68-2011

low budget way to use AI for small business without paid ads BATCH68-1510

proven strategy to automate dropshipping with AI step by step BATCH68-1567

Microelectronic Circuits :

premiers pas en 2021 istanbul confiné et touristes choyés - Mar 02 2023

web jan 6 2021 publié le 5 janvier 2021 mis à jour le 6 janvier 2021 depuis le 1er décembre dernier les stambouliotes sont contraints de rester chez eux pendant les week ends et après 21 heures en

la ferme french musco video about the farm youtube - Oct 09 2023

web feb 22 2021 the rockalingua team la ferme is a french music video for kids to teach things related to the farm in french to your students we are working on more french videos for kids worksh

tom Çiftlikte tom À la ferme trendsetter İstanbul - Feb 01 2023

web mar 13 2014 uluslararası yarışma 2013 venedik fipresci prize yazar yönetmen ve oyuncu xavier dolan yine programda yer alan trans hikâyesi laurence anyways ile cannes dan ödülle dönmüştü hitchcockvari bir psikolojik gerilim olan dördüncü uzun metrajlı filmde dolan yine farklı bir film türünü deniyor filmde yönetmenin

la ferme translation in english french english dictionary reverso - Aug 07 2023

web n shut your mouth la ferme go as far as the farm allez jusqu'à la ferme pipe down ferme la la ferme the farm was just past the village la ferme était juste après le village

site officiel hôtel spa le germain charlevoix baie st paul - Nov 29 2022

web bienvenue à l'hôtel spa le germain charlevoix nous vous invitons pour une escapade sur mesure où activités extérieures luxe simple et gastronomie locale vous attendent hôtel arrivée départ adultes enfants réservez ici les privilèges de réserver directement avec nous le meilleur prix c'est promis

risque d'éruption en islande le site touristique du lagon bleu ferme - Sep 27 2022

animale et nos produits cosmétiques confectionnés avec amour à partir du lait de nos ânesses

5 en iyi la ferme oteli 2023 550 tripadvisor - Jun 05 2023

web en iyi la ferme otelleri tripadvisor da la ferme morityus 9 otel 31 yorum 66 resim ve en iyi fiyatlar

[farm to table restaurant a la ferme](#) - Oct 29 2022

web enjoy fresh farm to table food at a la ferme restaurant dine in or take out we have worked to package our meals in a way that lets you bring the quality of our meals into your home

tüm diziler ve tv programları disney - Sep 08 2023

web disney hayranların çok beğendiği tv dizilerine erişmenizi sağlıyor

[fermé translate french to english cambridge dictionary](#) - May 04 2023

web closed stony serious farmhouse farm firm hard firm firm a lot firm determined farm learn more in the cambridge french english dictionary

ferme nedir ne demek ferme hakkında bilgiler ile ilgili org - Apr 22 2022

web ferme nedir ferme ne demek yerel türkçe deki anlamı burgu denilen araç ferme kısaca anlamı tanımını amonyaklı fermente peynir altı suyu peynir suyunun lactobacillus bulgaricus ile mayalanması ve amonyak eklenmesiyle elde edilen 35 55 ham protein içermesi ancak protein yapısında olmayan azottan ileri gelen ham protein eş değerinin

staar grade 8 mathematics texas education agency - Jun 13 2023

web the benefit of probability worksheets grade 8 is that students learn how to gauge the probability by tossing a coin determining the probability from word problems into

probability practice 8 worksheets teacher worksheets - Aug 03 2022

web browse printable 8th grade statistics and probability math worksheets award winning educational materials designed to help kids succeed start for free now

probability practice 8 worksheets lesson worksheets - Jan 28 2022

web worksheets are statistics and probability grade 8 day 1 math 8th grade staar practice probability the probability scale grade 8 mathematics math 8th grade staar

theoretical probability and counting 8th grade math - Sep 04 2022

web practicing common math questions is the best way to help your students improve their math skills and prepare for the test here we provide a step by step guide to solve 10 common

8th grade staar math free sample practice - Oct 05 2022

web download this informative guide to learn how to best support your eighth grader as they learn and master important grade appropriate concepts about probability download

[staar grade 8 mathematics april 2019 released texas](#) - Nov 06 2022

web showing top 8 worksheets in the category probability practice 8 some of the worksheets displayed are statistics and probability grade 8 day 1 math 8th grade

math 8th grade staar practice sheets probability - Nov 25 2021

8th grade staar math practice test questions - Jun 01 2022

web browse our printable 8th grade probability and statistics worksheets resources for your classroom download free today

8th grade math probability chapter exam study com - Mar 30 2022

web displaying top 8 worksheets found for probability grade 8 some of the worksheets for this concept are statistics and probability grade 8 work math grade 8 experimental

8th grade staar math worksheets free printable testinar - Mar 10 2023

web staar state of texas assessments of academic readiness staar grade 8 mathematics reference materials linear equations slope intercept form

8th grade math khan academy - Sep 23 2021

probability worksheets grade 8 cuemath - May 12 2023

web staar grade 8 mathematics referencematerials linear equations slope intercept form direct variation slope of a line circumference circle

8th grade mathematics worksheets free printable - Dec 07 2022

web theoretical probability and counting 8th grade math worksheets and answer key study guides covers the following skills find the probabilities of dependent and independent

[browse printable 8th grade statistics and probability math](#) - Apr 30 2022

web displaying all worksheets related to probability practice 8 worksheets are statistics and probability grade 8 day 1 math 8th grade staar practice probability the

probability grade 8 worksheets learny kids - Dec 27 2021

web learn eighth grade math functions linear equations geometric transformations and more aligned with common core standards

free printable probability worksheets for 8th grade quizizz - Jul 14 2023

web mathematics directions read each question carefully for a multiple choice question determine the best answer to the question from the four answer choices

8th grade probability and statistics worksheets teachervision - Feb 26 2022

web it is your totally own epoch to comport yourself reviewing habit among guides you could enjoy now is math 8th grade staar practice sheets probability below word

free grade 8 probability math worksheets thinkster math - Jul 02 2022

web test and improve your knowledge of 8th grade math probability with fun multiple choice exams you can take online with study com

grade 8 mathematics administered may 2022 released texas - Feb 09 2023

web sep 19 2020 welcome to our free 8th grade staar math practice test with answer key and answer explanations this practice test s realistic format and high quality

8th grade staar math worksheets free printable - Aug 15 2023

web free printable probability worksheets for 8th grade probability focused math worksheets for grade 8 students to discover and enhance their understanding of

probability practice 8 worksheets k12 workbook - Oct 25 2021

free 8th grade staar math practice test - Jan 08 2023

web staar state of texas assessments of academic readiness staar grade 8 mathematics

grade 8 mathematics practice assessment texas education - Apr 11 2023

web 8th grade staar math worksheets are you searching for free printable 8th review math worksheets and works out to assist your child planning for the staar science

jis z 2241 2022 metallic materials tensile testing method o - Feb 09 2023

web a tensile test of a high tensile strength steel using strain rate control was conducted in accordance with jis z 2241 annex jb hydraulic flat grips with high gripping force were

jsa jis z 2241 metallic materials engineering360 - Nov 25 2021

pdf jis z2241 free download pdf tuxdoc com - Jun 01 2022

web jis z 2241 2011 metallic materials tensile testing method of test at room temperature

jis z 2241 2022 techstreet - Mar 10 2023

web jis z 2241 2022 revision level 2022 edition status current publication date jan 1 2022

jsa jis z 2241 metallic materials engineering360 - Jun 13 2023

web feb 21 2011 jis g 3536 steel wires and strands for prestressed concrete published by jsa on february 20 2014 this

japanese industrial standard specifies steel wires

[jis z 2241 2022 ams istanbul edu](#) - Jan 28 2022

web feb 21 2011 jis z 2241 2011 superseded add to watchlist metallic materials tensile testing method of test at room temperature available format s hardcopy pdf

jis z 2241 metallic materials tensile testing method of test - Oct 05 2022

web jis z2241 1993 free download as pdf file pdf text file txt or read online for free jis z2241

jis z 2241 2022 normadoc - Apr 30 2022

web jis z 2241 pdf gustavobultaco com jis z 2241 download pdf market jis z2241 instron jsa jis z 2241 metallic materials tensile testing jis z 2241 2011 metallic

jis z 2241 metallic materials tensile testing method of - May 12 2023

web jan 1 2022 jis z 2241 2022 metallic materials tensile testing method of test at room temperature standard by japanese industrial standard japanese standards

jis z 2241 2011 metallic materials tensile testing method of - Oct 25 2021

jis z 2241 2011 metallic materials tensile testing method of - Feb 26 2022

web jsa jis z 2241 metallic materials tensile testing method of test at room temperature

jis z 2241 metallic materials tensile testing engineering360 - Dec 27 2021

standard jis mechanical properties nippon steel corporation - Aug 03 2022

web sep 20 2022 jis z 2241 2022 pdf japanese active 9 20 2022 44 00 add to cart details this japanese industrial standard specifies the method for tensile testing

metallic materials tensile testing method of test at - Aug 15 2023

web sep 20 2022 jis z 2241 september 20 2022 metallic materials tensile testing method of test at room temperature this standard specifies the method for tensile

jsa jis z 2241 metallic materials engineering360 - Apr 11 2023

web oct 20 2022 jis z 2241 2022 current add to watchlist metallic materials tensile testing method of test at room temperature available format s hardcopy language

jis z 2241 2011 金属材料 tensile testing method of test - Jul 14 2023

web sep 20 2022 description abstract jis z 2241 2022 edition september 20 2022 metallic materials tensile testing method of test at room temperature this

tensile test of high tensile strength steel shimadzu - Dec 07 2022

web japanese industrial standard jis z 2241 was revised in 2011 a strain rate control method measurement of strain with an extensometer was added as a test item in addition to

[jis z 2241 2011 pdf scribd](#) - Nov 06 2022

web the test pieces and test methods shall conform to jis z 2241 metallic materials tensile testing method of test at room temperature table 9 tensile characteristics 1 using

jis z 2241 2022 metallic materials tensile testing method of - Mar 30 2022

web feb 21 2011 jis z 2241 september 20 2022 metallic materials tensile testing method of test at room temperature this standard specifies the method for tensile

jis z 2241 metallic materials tensile testing method of test - Jan 08 2023

web jis z 2241 metallic materials tensile testing method of test at room temperature jis z 2241 metallic materials tensile testing method of test at room temperature

ei277 tensile test of metallic material by strain rate control - Sep 04 2022

web apr 16 2021 jis z2241 april 16 2021 author anonymous category n a report this link download pdf share embed

jis z2241 1993 pdf scribd - Jul 02 2022

web content provider japanese industrial standards jis pdf price 182 00 0 add to cart