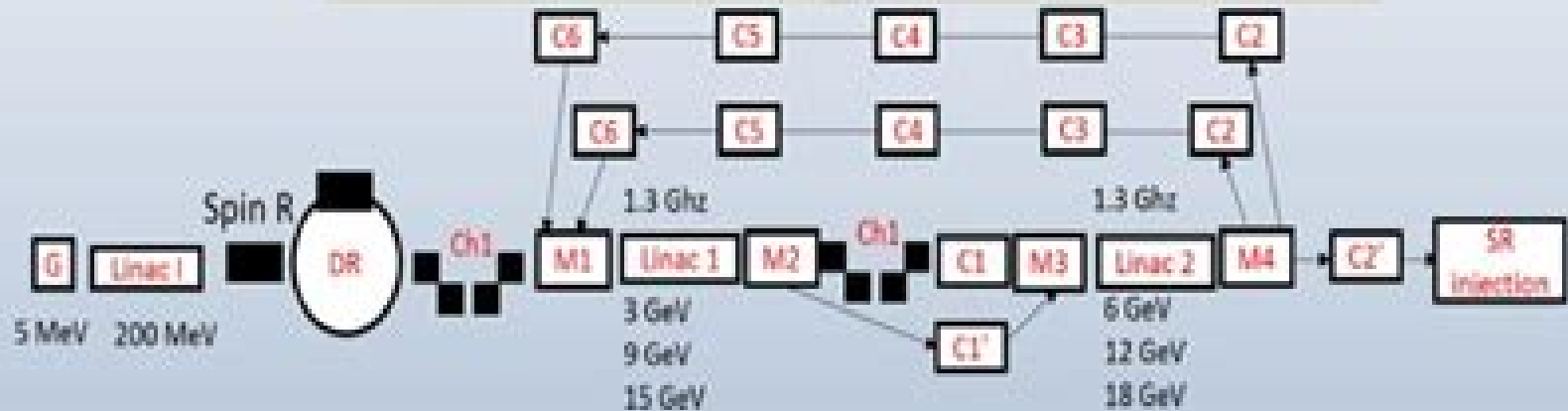
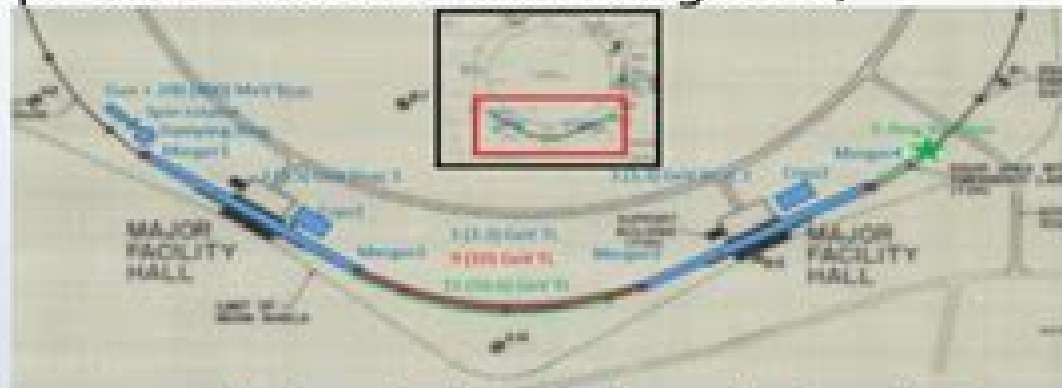


# Electron injector

- Recirculating linac pulsed RF
  - XFEL/LCLS-2 modules, With two 2.25 GeV linacs in two adjacent RHIC straights, 3 re-circulations 4 passages to 18 GeV or
  - Alternatively 18 x 650MHz cryo-modules operated at 25 MV/m (makes the designs more compatible and easier interchangeable)



# Recirculating Electron Accelerators

**A Loxley**



## **Recirculating Electron Accelerators:**

Delve into the emotional tapestry woven by Emotional Journey with in Experience **Recirculating Electron Acclerators** . This ebook, available for download in a PDF format ( PDF Size: \*), is more than just words on a page; itis a journey of connection and profound emotion. Immerse yourself in narratives that tug at your heartstrings. Download now to experience the pulse of each page and let your emotions run wild.

[https://staging.gilderlehrman.org/book/book-search/Download\\_PDFS/raising\\_funds\\_with\\_friends\\_groups\\_a\\_howtodoit\\_manual\\_for\\_librarians.pdf](https://staging.gilderlehrman.org/book/book-search/Download_PDFS/raising_funds_with_friends_groups_a_howtodoit_manual_for_librarians.pdf)

## **Table of Contents Recirculating Electron Acclerators**

1. Understanding the eBook Recirculating Electron Acclerators
  - The Rise of Digital Reading Recirculating Electron Acclerators
  - Advantages of eBooks Over Traditional Books
2. Identifying Recirculating Electron Acclerators
  - Exploring Different Genres
  - Considering Fiction vs. Non-Fiction
  - Determining Your Reading Goals
3. Choosing the Right eBook Platform
  - Popular eBook Platforms
  - Features to Look for in an Recirculating Electron Acclerators
  - User-Friendly Interface
4. Exploring eBook Recommendations from Recirculating Electron Acclerators
  - Personalized Recommendations
  - Recirculating Electron Acclerators User Reviews and Ratings
  - Recirculating Electron Acclerators and Bestseller Lists
5. Accessing Recirculating Electron Acclerators Free and Paid eBooks
  - Recirculating Electron Acclerators Public Domain eBooks
  - Recirculating Electron Acclerators eBook Subscription Services

- Recirculating Electron Accelerators Budget-Friendly Options
- 6. Navigating Recirculating Electron Accelerators eBook Formats
  - ePub, PDF, MOBI, and More
  - Recirculating Electron Accelerators Compatibility with Devices
  - Recirculating Electron Accelerators Enhanced eBook Features
- 7. Enhancing Your Reading Experience
  - Adjustable Fonts and Text Sizes of Recirculating Electron Accelerators
  - Highlighting and Note-Taking Recirculating Electron Accelerators
  - Interactive Elements Recirculating Electron Accelerators
- 8. Staying Engaged with Recirculating Electron Accelerators
  - Joining Online Reading Communities
  - Participating in Virtual Book Clubs
  - Following Authors and Publishers Recirculating Electron Accelerators
- 9. Balancing eBooks and Physical Books Recirculating Electron Accelerators
  - Benefits of a Digital Library
  - Creating a Diverse Reading Collection Recirculating Electron Accelerators
- 10. Overcoming Reading Challenges
  - Dealing with Digital Eye Strain
  - Minimizing Distractions
  - Managing Screen Time
- 11. Cultivating a Reading Routine Recirculating Electron Accelerators
  - Setting Reading Goals Recirculating Electron Accelerators
  - Carving Out Dedicated Reading Time
- 12. Sourcing Reliable Information of Recirculating Electron Accelerators
  - Fact-Checking eBook Content of Recirculating Electron Accelerators
  - Distinguishing Credible Sources
- 13. Promoting Lifelong Learning
  - Utilizing eBooks for Skill Development
  - Exploring Educational eBooks
- 14. Embracing eBook Trends

- Integration of Multimedia Elements
- Interactive and Gamified eBooks

### **Recirculating Electron Accelerators Introduction**

In the digital age, access to information has become easier than ever before. The ability to download Recirculating Electron Accelerators has revolutionized the way we consume written content. Whether you are a student looking for course material, an avid reader searching for your next favorite book, or a professional seeking research papers, the option to download Recirculating Electron Accelerators has opened up a world of possibilities. Downloading Recirculating Electron Accelerators provides numerous advantages over physical copies of books and documents. Firstly, it is incredibly convenient. Gone are the days of carrying around heavy textbooks or bulky folders filled with papers. With the click of a button, you can gain immediate access to valuable resources on any device. This convenience allows for efficient studying, researching, and reading on the go. Moreover, the cost-effective nature of downloading Recirculating Electron Accelerators has democratized knowledge. Traditional books and academic journals can be expensive, making it difficult for individuals with limited financial resources to access information. By offering free PDF downloads, publishers and authors are enabling a wider audience to benefit from their work. This inclusivity promotes equal opportunities for learning and personal growth. There are numerous websites and platforms where individuals can download Recirculating Electron Accelerators. These websites range from academic databases offering research papers and journals to online libraries with an expansive collection of books from various genres. Many authors and publishers also upload their work to specific websites, granting readers access to their content without any charge. These platforms not only provide access to existing literature but also serve as an excellent platform for undiscovered authors to share their work with the world. However, it is essential to be cautious while downloading Recirculating Electron Accelerators. Some websites may offer pirated or illegally obtained copies of copyrighted material. Engaging in such activities not only violates copyright laws but also undermines the efforts of authors, publishers, and researchers. To ensure ethical downloading, it is advisable to utilize reputable websites that prioritize the legal distribution of content. When downloading Recirculating Electron Accelerators, users should also consider the potential security risks associated with online platforms. Malicious actors may exploit vulnerabilities in unprotected websites to distribute malware or steal personal information. To protect themselves, individuals should ensure their devices have reliable antivirus software installed and validate the legitimacy of the websites they are downloading from. In conclusion, the ability to download Recirculating Electron Accelerators has transformed the way we access information. With the convenience, cost-effectiveness, and accessibility it offers, free PDF downloads have become a popular choice for students, researchers, and book lovers worldwide. However, it is crucial to engage in ethical downloading practices and prioritize personal security

when utilizing online platforms. By doing so, individuals can make the most of the vast array of free PDF resources available and embark on a journey of continuous learning and intellectual growth.

### FAQs About Recirculating Electron Accelerators Books

**What is a Recirculating Electron Accelerators PDF?** A PDF (Portable Document Format) is a file format developed by Adobe that preserves the layout and formatting of a document, regardless of the software, hardware, or operating system used to view or print it. **How do I create a Recirculating Electron Accelerators PDF?** There are several ways to create a PDF: Use software like Adobe Acrobat, Microsoft Word, or Google Docs, which often have built-in PDF creation tools. Print to PDF: Many applications and operating systems have a "Print to PDF" option that allows you to save a document as a PDF file instead of printing it on paper. Online converters: There are various online tools that can convert different file types to PDF. **How do I edit a Recirculating Electron Accelerators PDF?** Editing a PDF can be done with software like Adobe Acrobat, which allows direct editing of text, images, and other elements within the PDF. Some free tools, like PDFescape or Smallpdf, also offer basic editing capabilities. **How do I convert a Recirculating Electron Accelerators PDF to another file format?** There are multiple ways to convert a PDF to another format: Use online converters like Smallpdf, Zamzar, or Adobe Acrobat's export feature to convert PDFs to formats like Word, Excel, JPEG, etc. Software like Adobe Acrobat, Microsoft Word, or other PDF editors may have options to export or save PDFs in different formats. **How do I password-protect a Recirculating Electron Accelerators PDF?** Most PDF editing software allows you to add password protection. In Adobe Acrobat, for instance, you can go to "File" -> "Properties" -> "Security" to set a password to restrict access or editing capabilities. Are there any free alternatives to Adobe Acrobat for working with PDFs? Yes, there are many free alternatives for working with PDFs, such as: LibreOffice: Offers PDF editing features. PDFsam: Allows splitting, merging, and editing PDFs. Foxit Reader: Provides basic PDF viewing and editing capabilities. How do I compress a PDF file? You can use online tools like Smallpdf, iLovePDF, or desktop software like Adobe Acrobat to compress PDF files without significant quality loss. Compression reduces the file size, making it easier to share and download. Can I fill out forms in a PDF file? Yes, most PDF viewers/editors like Adobe Acrobat, Preview (on Mac), or various online tools allow you to fill out forms in PDF files by selecting text fields and entering information. Are there any restrictions when working with PDFs? Some PDFs might have restrictions set by their creator, such as password protection, editing restrictions, or print restrictions. Breaking these restrictions might require specific software or tools, which may or may not be legal depending on the circumstances and local laws.

**Find Recirculating Electron Accelerators :**

**raising funds with friends groups a howtodoit manual for librarians**

randolph rogers american sculptor in

*raphas 12step program for overcoming eating disorders a rapha recovery*

**raphael semmes and the alabama civil war campaigns and commanders series**

raising positive kids in a negative world

**raising arizona**

*rand mcnelly easyfinder livonia/southfield farming*

**rand mcnelly st. paul minnesota local street detail rand mcnelly folded map cities**

rapid reading with a purpose

raoul vaneigem lalogue de la vie affinae

ranald macdonald

random house of humor for children

rape of the lock and other poems

**ram jethmalani the authorised biography - hardcover**

rapid transits and other stories

**Recirculating Electron Accelerators :**

*earth s interior mcgraw hill education - Dec 18 2021*

web section 3 earth s interior in this section section review quiz search site preferences log out this form changes settings for this website only to make changes to your

**earth science 1st edition solutions and answers quizlet - Oct 08 2023**

web with expert solutions for thousands of practice problems you can take the guesswork out of studying and move forward with confidence find step by step solutions and answers to

*pearson earth science chapter 1 introducing earth quizlet - Sep 26 2022*

web has three main parts a metal core a solid middle layer and a rocky outer layer contains all of earth s water 3 4 of earth is covered by a thin layer of water only a tiny part of the

**glencoe earth science mcgraw hill education - Jul 25 2022**

web by clicking below students can find web links for the science online features in their book section and chapter review

quizzes standardized test practice additional math practice

**inspire science earth mcgraw hill** - Mar 21 2022

web grades 9 12 learning begins with curiosity our inspire science high school series provides an in depth collaborative and project based learning experience designed to

**chapter 14 1 solutions earth science 14th edition chegg** - Apr 21 2022

web access earth science 14th edition chapter 14 1 solutions now our solutions are written by chegg experts so you can be assured of the highest quality

earth and space science 1st edition solutions and answers - Jul 05 2023

web with expert solutions for thousands of practice problems you can take the guesswork out of studying and move forward with confidence find step by step solutions and answers to

earth science geology the environment and the universe - Jan 19 2022

web dec 20 2007 get the 1e of earth science geology the environment and the universe new york student edition by mcgraw hill textbook ebook and other options isbn

**earth science mcgraw hill education** - Jan 31 2023

web online student edition multilingual glossary interactive timeline self check quizzes english chapter tests practice english standardized test practice english study to

*glencoe earth science 1st edition solutions and answers* - Sep 07 2023

web now with expert verified solutions from glencoe earth science 1st edition you ll learn how to solve your toughest homework problems our resource for glencoe earth science

self check quizzes mcgraw hill education - Jun 04 2023

web self check quizzes unit 1 earth science chapter 1 the nature of science section 1 1 earth science section 1 2 methods of scientists section 1 3 communicating in

**mapping earth s surface mcgraw hill education** - Dec 30 2022

web standard assessment english standard assessment spanish real world science links lab links math practice vocabulary eflashcards lesson 1 reading maps lesson 2

*mcgraw hill earth science section 1 answers smithsonian* - Feb 17 2022

web as this mcgraw hill earth science section 1 answers it ends taking place inborn one of the favored books mcgraw hill earth science section 1 answers collections that we

*chapter 1 section 2 scientific methods in earth science* - Jun 23 2022

web interactive textbook answer key 33 earth science earth science answer key chapter 1 the world of earth science section

1 branches of earth science 1

**textbook answers gradesaver** - Aug 06 2023

web home textbook answers find textbook answers and solutions mcgraw hill education isbn 978 1 25918 813 8 biology 12th edition mader sylvia windelspecht

**earth s internal processes mcgraw hill education** - Oct 28 2022

web glencoe physical science with earth science chapter 12 earth s internal processes in this chapter student answer sheet chapter review quiz interactive tutor science

**earth and space science 1st edition solutions and answers** - Nov 16 2021

web with expert solutions for thousands of practice problems you can take the guesswork out of studying and move forward with confidence find step by step solutions and answers to

chapter 1 section 1 1 what is earth science flashcards - Nov 28 2022

web t or f the solar nebula is made up of mostly carbon and iron earth s atmosphere earth s surface earth s neighbors in space and earth s interior the topics studied in earth

*chapter 1 study guide pdf chapter 1 study guide for* - Aug 26 2022

web section 1 1 earth science continued in your textbook read about earth s systems and earth science in your everyday life for each statement below write true or false 14

*mcgraw hill earth science chapter 1 section 1 3 flashcards* - May 03 2023

web the study of things beyond earth s atmosphere the study of weather and climate in the earth s atmosphere the study of earth the study of underwater surfaces the study of

earth science geology the environment and the mcgraw - Apr 02 2023

web earth science geology the environment and the universe national geographic science bulletins textbook resources online student edition multilingual glossary

earth s changing surface mcgraw hill education - May 23 2022

web glencoe physical science with earth science chapter 21 earth s changing surface in this chapter concepts in motion periodic table links student answer sheet chapter

**glencoe earth science mcgraw hill education** - Mar 01 2023

web section 4 self check quiz chapter 5 earth s energy and mineral resources section 1 self check quiz section 2 self check quiz section 3 self check quiz unit 2 the

**download analisa harga satuan pekerjaan ahsp terbaru** - Aug 03 2022

web mar 2 2022 untuk analisa harga satuan pekerjaan 2022 ini dibagi beberapa bagian diantaranya analisa harga satuan

pekerjaan ahsp bidang umum analisa harga satuan pekerjaan ahsp bidang sumber daya air analisa harga satuan pekerjaan ahsp bidang bina marga analisa harga satuan pekerjaan ahsp bidang

*download analisa harga satuan sni tahun 2019 civil studio - Nov 06 2022*

web jan 15 2021 pada kesempatan kali ini kami akan berbagi file analisis harga satuan sni format excel analisa sni ini sangat membantu apabila kita mau membuat rencana anggaran biaya rab analisa sni 2019 ini sangat lengkap dari mulai pekerjaan pembangunan rumah tinggal sampai dengan pekerjaan jalan irigasi dll

*analisa harga satuan terbaru 2022 sesuai - Aug 15 2023*

web jan 21 2022 analisa harga satuan terbaru 2022 sesuai permenpu no 1 tahun 2022 oleh sipilpedia 21 januari 2022 120962 31 ahsp terdiri atas a ahsp bidang umum b ahsp bidang sumber daya air c ahsp bidang bina marga dan d ahsp bidang cipta karya dan perumahan ahsp bidang umum mencakup ahsp yang berlaku di

*analisa harga satuan pekerjaan ahsp sni 2023 betantt - Jul 02 2022*

web analisa harga satuan pekerjaan ahsp adalah suatu cara perhitungan harga satuan pekerjaan konstruksi yang dijabarkan dalam perkalian kebutuhan bahan bangunan upah kerja dan peralatan dengan harga bangunan standar pengupahan pekerja dan harga sewa beli peralatan untuk menyelesaikan per satuan pekerjaan konstruksi

*analisa harga satuan pekerjaan segmen jalan - Dec 27 2021*

web tujuan dari penelitian ini adalah menghitung harga satuan pekerjaan untuk mengetahui perbedaan perhitungan rencana anggaran biaya rab pada proyek peningkatan jalan margasari marabahan segmen margasari sungai puting kabupaten tapin

**analisa harga satuan pekerjaan ahsp sni 2020 format excel - Sep 04 2022**

web analisa harga satuan pekerjaan ahsp sni tahun 2020 format excel dalam menyusun sebuah rencana anggaran biaya maka diperlukan suatu pendekatan koefisien sebagai penguat nilai asli dan mendekati sebuah realisasi harga maka dari itu diperlukan analisa harga satuan pekerjaan ahsp sebagai pendekatan koefisien tersebut

**download analisa harga satuan pekerjaan ahsp sni terbaru - Jun 13 2023**

web feb 1 2022 analisa harga satuan pekerjaan ahsp adalah suatu cara perhitungan harga satuan pekerjaan konstruksi yang dijabarkan dalam perkalian kebutuhan bahan bangunan upah kerja dan peralatan dengan harga bangunan standar pengupahan pekerja dan harga sewa beli peralatan untuk menyelesaikan per satuan pekerjaan

**simantukementerian pupr analisis harga satuan - Apr 11 2023**

web pedoman analisis harga satuan menjelaskan prinsip prinsip yang menjadi dasar dalam menganalisis harga satuan dasar upah alat dan bahan serta sebagai dasar untuk analisis harga satuan pekerjaan ahsp harga satuan pekerjaan ini digunakan sebagai harga perkiraan sendiri hps atau harga perkiraan perencana hpp

**download analisa harga satuan pekerjaan ahsp sni 2022 - Jan 08 2023**

web analisa harga satuan pekerjaan ahsp adalah suatu cara perhitungan harga satuan pekerjaan konstruksi yang dijabarkan dalam perkalian kebutuhan bahan bangunan upah kerja dan peralatan dengan harga bangunan standar pengupahan pekerja dan harga sewa beli peralatan untuk menyelesaikan per satuan pekerjaan konstruksi

**kajian analisis harga satuan pekerjaan ahsp sni** - Jun 01 2022

web whereas the asphalt concrete wearing course ac wc work using the bina marga 2020 method also has a larger difference in the unit price of work compared to the 2016 sni analysis of 47 54 for jalan dewi sartika and 51 77 for jalan mojoranu mastrip

analisa harga satuan pekerjaan gedung jalan sda format - Dec 07 2022

web seperti pekerjaan gedung maka menggunakan ahsp sni bangunan gedung dan pekerjaan jalan jembatan menggunakan ahsp direjen bina marga sebenarnya apa itu analisa harga satuan pekerjaan ahsp tersebut

kumpulan analisa konstruksi sesuai dengan sni terbaru dan - Mar 30 2022

web 2 analisa biaya konstruksi sni bidang cipta karya pupr excel cocok untuk perhitungan rencana anggaran gedung dan perumahan lengkap rp 200 000 00 download view file 3 analisa bangunan kontruksi analisa k excel analisa bow excel rp 150 000 00

*download analisa ahsp sni 2021 adakah format excel sudutsipil* - Oct 05 2022

web sampai dengan tanggal saat ini sebagaimana artikel ini di publish maka analisa harga satuan pekerjaan ahsp sni masih menggunakan peraturan kementerian pupr no 28 tahun 2016 sedangkan untuk pekerjaan jalan dan jembatan menggunakan ahsp dirjen binamarga tahun 2018 revisi terbaru

**contoh analisa harga pekerjaan jalan warga lingkungan** - Feb 26 2022

web dec 4 2018 contohnya kita membuat jalan masyarakat atau jalan lingkungan dengan lebar 2 m selama 400 m serta ingin elevasi jalan itu nanti naik 40 cm dari tanah basic eksisting untuk 3 pilihan perkerasan jalan yakni jalan

*download analisa harga satuan pekerjaan pupr no 1 tahun 2022* - Feb 09 2023

web harga satuan pekerjaan hsp terdiri atas biaya langsung dan biaya tidak langsung biaya langsung masing masing ditentukan sebagai harga satuan dasar hsd untuk setiap satuan pengukuran standar agar hasil rumusan analisis yang diperoleh mencerminkan harga aktual di lapangan

**analisis harga satuan pekerjaan ahsp bidang pekerjaan umum** - Apr 30 2022

web analisis harga satuan pekerjaan ahsp bidang pekerjaan umum agus sandhy beny abdurrahman see full pdf download pdf see full pdf download pdf related papers lamp permen pupr 28 2016 ahsp bidang umum sda cipta karya bina marga sumayya roum download free pdf view pdf lamp permenpupr28 2016 analisis harga

analisis harga satuan pekerjaan preservasi dan pelebaran jalan - Jan 28 2022

web untuk menentukan besarnya biaya pekerjaan konstruksi dari sebuah bangunan gedung jalan jembatan bangunan air dll diperlukan suatu acuan dasar acuan tersebut adalah analisa biaya konstruksi analisa harga satuan pekerjaan yang disusun melalui kegiatan penelitian produktivitas pekerjaan di lapangan dan bertujuan untuk meningkatkan

**download analisa harga satuan pekerjaan jalan bina marg** - May 12 2023

web analisa satuan pekerjaan divisi 1 umum 3 file 10 halaman analisa satuan pekerjaan divisi 2 drainase 1 file 20 halaman analisa satuan pekerjaan divisi 3 pekerjaan tanah 1 file 30 halaman analisa satuan pekerjaan divisi 4 pelebaran perkerasan dan bahu jalan 1 file 8 halaman analisa satuan pekerjaan divisi 5 perkerasan berbutir 1 file

**analisa harga satuan pekerjaan ahsp jalan jembatan** - Jul 14 2023

web analisa harga satuan pekerjaan ahsp jalan jembatan tahun 2022 full download sudutsipil post a comment warga sudutsipil sesuai dengan peraturan menteri pekerjaan umum dan perumahan rakyat permen pupr no 1 tahun 2022 tentang analisa harga satuan pekerjaan ahsp terbaru maka berikut sudutsipil lampirkan dan semoga dapat

*update download analisa harga satuan pekerjaan ahsp sni* - Mar 10 2023

web jan 28 2021 download analisa harga satuan pekerjaan ahsp sni 2022 january 28 2021 35 comments pedoman ini digunakan untuk menetapkan langkah langkah menghitung harga satuan dasar hsd meliputi upah tenaga kerja harga satuan dasar alat dan harga satuan dasar bahan

**used 1998 honda cr v specs features edmunds** - Feb 17 2023

web specs features used 1998 honda cr v specs features more about the 1998 cr v select a trim most popular lx 4dr suv awd buy in store buy online see edmunds pricing data has your car s

1998 honda cr v 2 0 es otomatik arabalar com tr - Oct 01 2021

web 1998 model honda cr v 2 0 es otomatik fiyatı teknik özellikleri donanımları ortalama yakıt tüketimi ve nasıl bir araba olduğu hakkında yorumlar

**1998 honda cr v 94 kw 128 ps 126 hp up to mid year 1998** - Apr 07 2022

web all specifications performance and fuel economy data of honda cr v 94 kw 128 ps 126 hp edition of the year 1998 up to mid year 1998 for europe including acceleration times 0 60 mph 0 100 mph 0 100 km h 0 200 km h quarter mile time top speed mileage and fuel economy power to weight ratio dimensions drag coefficient etc

*1998 honda cr v specifications car specs auto123* - May 08 2022

web detailed car specs 1998 honda cr v find specifications for every 1998 honda cr v gas mileage engine performance warranty equipment and more

*euro 1998 yılı kuru ne kadardı 1998 eur fiyatı kaç tl* - Nov 02 2021

web 1998 yılı döviz kurları 1998 yılı eur kur fiyatları euro 1998 yılı için ortalama eur kur değeri en düşük ve en yüksek alış ve

satış fiyatları ne kadar raporunu aşağıdan görebilirsiniz 1998 yılı eur döviz kuru fiyatları eski tl 6 sıfır atılmadan önceki hali ile olarak gösterilmektedir 366 190 00 tl 1998

[honda cr v wikipedia](#) - Nov 14 2022

web honda cr v also sold as the honda breeze in china since 2019 is a compact crossover suv manufactured by japanese automaker since 1995 initial models of the cr v were built using the same platform as the 1 2

[honda cr v 1998 carsguide](#) - Aug 11 2022

web 5 280 see all honda cr v 1998 pricing and specs honda cr v 1998 q as check out real world situations relating to the honda cr v 1998 here particularly what our experts have to say about them honda cr v 1998 misfire problem

*1998 honda cr v given a boost motortrend* - Jul 10 2022

web sep 9 2016 knowing that none of honda s differentials are designed to carry this kind of power newton found that a 08 element carried a bit more strength than his cr vs and would put up more of a fight

**1998 honda cr v specs price mpg reviews cars com** - Jul 22 2023

web research the 1998 honda cr v at cars com and find specs pricing mpg safety data photos videos reviews and local inventory opens website in a new tab cars for sale

**used 1998 honda cr v consumer reviews 80 car reviews edmunds** - Jan 16 2023

web 80 reviews write a vehicle review see all cr vs for sale view photos videos used cr v for sale not available nearby see all for sale cr v trim filter by sort by 1 16 see edmunds pricing

**1998 honda cr v 2 0i ls otomatik teknik Özellikleri** - Mar 18 2023

web silindir hacmi 1973 cc maksimum hız 170 km s beygir gücü 147 hp 0 100 km hızlanma 12 5 sn maksimum tork 182 nm uzunluk 4530 mm vites tipi 4 İleri otomatik genişlik 1750 mm yakıt türü benzin

**used 1998 honda cr v for sale near me edmunds** - Dec 15 2022

web save up to 4 840 on one of 24 828 used 1998 honda cr vs near you find your perfect car with edmunds expert reviews car comparisons and pricing tools

**1998 honda cr v what s it worth autoblog** - Jan 04 2022

web oct 17 2022 1998 honda cr v 1998 honda cr v used car book values private seller price the amount you can expect to pay if you buy a 1998 honda cr v from a private seller dealer price the amount you can

[1998 honda cr v modelleri arabalar com tr](#) - Jun 21 2023

web sıfır araba fiyatları honda modelleri cr v 1998 1998 honda cr v 2 0 es satış dışı 1998 honda cr v 2 0 es otomatik satış dışı 1998 honda cr v 2 0i ls otomatik satış dışı seçtiklerimi karşılaştır

**honda cr v 1998 price specs carsguide** - Mar 06 2022

web the honda cr v 1998 prices range from 2 860 for the basic trim level suv cr v 4x4 to 5 280 for the top of the range suv cr v 4x4 the honda cr v 1998 comes in suv the honda cr v 1998 is available in unleaded petrol engine sizes and transmissions vary from the suv 2 0l 4 sp automatic 4x4 to the suv 2 0l 5sp manual 4x4

*1998 honda cr v price value ratings reviews kelley blue* - May 20 2023

web overall 1998 honda cr v quality user sentiment suggests the overall quality of the 1998 honda cr v is above average for its class owners rated the 1998 honda cr v quality a 4 8 out of 5

*tell us about your honda auto honda owners* - Feb 05 2022

web find your honda access manuals warranty and service information view recalls and more last updated 08 24 2023

**1998 honda cr v for sale autotrader ca** - Dec 03 2021

web find your next car by browsing our extensive new and pre owned 1998 honda cr v inventory from local honda dealerships and private sellers you can also compare prices trim specifications options reviews scores and recall history of 1998 honda cr v with similar vehicles

**1998 honda cr v iihs hldi** - Jun 09 2022

web rating applies to 1997 2001 models tested vehicle 1998 honda cr v lx 4 door 4wd until the honda cr v was introduced in the 1997 model year overall evaluation m structure and safety cage a

*honda cr v specs photos 1996 1997 1998 1999 2000 2001* - Sep 12 2022

web may 19 2021 production years 1996 1997 1998 1999 2000 2001 42 photos honda tried its luck and entered the suv segment in the mid 90s introducing the cr v lineup and it was a huge success for the

*1998 honda cr v review ratings edmunds* - Apr 19 2023

web edmunds expert review of the used 1998 honda cr v provides the latest look at trim level features and specs performance safety and comfort

*1998 honda cr v specs features options kelley blue book* - Oct 13 2022

web specs and features 1998 honda cr v specs features options here s everything you need to know about each trim in the 1998 honda cr v lineup compare pricing specs key features and more

1998 honda cr v 2 0 es arabalar com tr - Aug 23 2023

web 1998 honda cr v 2 0 es yorumları teknik özellikleri yakıt tüketimi fiyatı ve diğer detayları