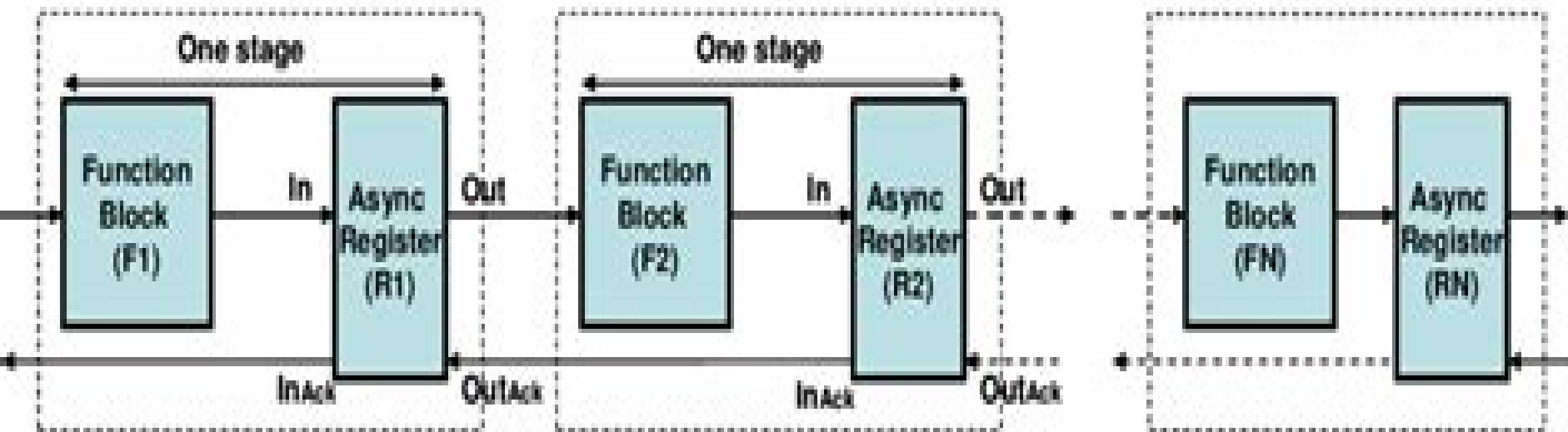


(a) Synchronous Circuit



(b) Asynchronous Circuit

Servicing Sync Circuits

O García



Servicing Sync Circuits:

Curriculum for Closed Circuit TV Maintenance Course United States. Bureau of Naval Personnel,1966 *Servicing Sync Circuits* Art Margolis,1967 *Introduction to Television Servicing* Wayne C. Brandenburg,1979 **Catalog of Copyright Entries. Third Series** Library of Congress. Copyright Office,1970 *Basic Television and Television-receiver Servicing* Paul B. Zbar,Sidney Schildkraut,1958 **Information Technology Atlas - Europe** International Organisations Services,1990 *Practical Handbook of Solid State Troubleshooting* Robert C. Genn,1981 **Modern Radio and Television Servicing Library: Radio and television, receiver troubleshooting and repair** Alfred A. Ghirardi,1952

Radio & Television News ,1954 Some issues Aug 1948 1954 are called Radio electronic engineering edition and include a separately numbered and paged section Radio electronic engineering issued separately Aug 1954 May 1955 **Official Gazette of the United States Patent and Trademark Office** United States. Patent and Trademark Office,1999

Television Servicing with Basic Electronics Joseph G. Sloop,1981 Television Theory and Servicing Clyde N. Herrick,1976 **Color and Black and White Television Theory and Servicing** Alvin A. Liff,Sam Wilson,J. A. Sam Wilson,1993 This reference takes a hands on approach to television repair with a complete and current investigation of color black and white TV receivers and video tape recorder theory and practice It delivers cutting edge information on cable pay and satellite TV systems microcomputer controlled remote control systems triggered and dual trace oscilloscopes and more The perfect work aid for electronics technicians specializing in TV troubleshooting *Simplified TV Trouble Diagnosis* Robert L. Goodman,1973 **Journal of the American Institute of Electrical Engineers** American Institute of Electrical Engineers,1924 Includes preprints of Transactions of the American Institute of Electrical Engineers ISSN 0096 3860

Proceedings of the American Institute of Electrical Engineers ,1925 Vols for 1887 1946 include the preprint pages of the institute s Transactions **Transactions of the American Institute of Electrical Engineers** American Institute of Electrical Engineers,1929 Index of current electrical literature Dec 1887 appended to v 5 *Federal Register* ,1994-06-16

Pacific Service Magazine ,1924 **Service** ,1949

Eventually, you will categorically discover a additional experience and capability by spending more cash. yet when? attain you admit that you require to get those every needs following having significantly cash? Why dont you attempt to acquire something basic in the beginning? Thats something that will guide you to comprehend even more on the order of the globe, experience, some places, gone history, amusement, and a lot more?

It is your no question own get older to produce an effect reviewing habit. in the middle of guides you could enjoy now is **Servicing Sync Circuits** below.

<https://staging.gilderlehrman.org/results/browse/Documents/free%20way%20to%20generate%20leads%20using%20ai%20in%202026%20batch39%201927.pdf>

Table of Contents Servicing Sync Circuits

1. Understanding the eBook Servicing Sync Circuits
 - The Rise of Digital Reading Servicing Sync Circuits
 - Advantages of eBooks Over Traditional Books
2. Identifying Servicing Sync Circuits
 - Exploring Different Genres
 - Considering Fiction vs. Non-Fiction
 - Determining Your Reading Goals
3. Choosing the Right eBook Platform
 - Popular eBook Platforms
 - Features to Look for in an Servicing Sync Circuits
 - User-Friendly Interface
4. Exploring eBook Recommendations from Servicing Sync Circuits
 - Personalized Recommendations
 - Servicing Sync Circuits User Reviews and Ratings
 - Servicing Sync Circuits and Bestseller Lists

5. Accessing Servicing Sync Circuits Free and Paid eBooks
 - Servicing Sync Circuits Public Domain eBooks
 - Servicing Sync Circuits eBook Subscription Services
 - Servicing Sync Circuits Budget-Friendly Options
6. Navigating Servicing Sync Circuits eBook Formats
 - ePub, PDF, MOBI, and More
 - Servicing Sync Circuits Compatibility with Devices
 - Servicing Sync Circuits Enhanced eBook Features
7. Enhancing Your Reading Experience
 - Adjustable Fonts and Text Sizes of Servicing Sync Circuits
 - Highlighting and Note-Taking Servicing Sync Circuits
 - Interactive Elements Servicing Sync Circuits
8. Staying Engaged with Servicing Sync Circuits
 - Joining Online Reading Communities
 - Participating in Virtual Book Clubs
 - Following Authors and Publishers Servicing Sync Circuits
9. Balancing eBooks and Physical Books Servicing Sync Circuits
 - Benefits of a Digital Library
 - Creating a Diverse Reading Collection Servicing Sync Circuits
10. Overcoming Reading Challenges
 - Dealing with Digital Eye Strain
 - Minimizing Distractions
 - Managing Screen Time
11. Cultivating a Reading Routine Servicing Sync Circuits
 - Setting Reading Goals Servicing Sync Circuits
 - Carving Out Dedicated Reading Time
12. Sourcing Reliable Information of Servicing Sync Circuits
 - Fact-Checking eBook Content of Servicing Sync Circuits
 - Distinguishing Credible Sources
13. Promoting Lifelong Learning

- Utilizing eBooks for Skill Development
 - Exploring Educational eBooks
14. Embracing eBook Trends
- Integration of Multimedia Elements
 - Interactive and Gamified eBooks

Servicing Sync Circuits Introduction

In this digital age, the convenience of accessing information at our fingertips has become a necessity. Whether its research papers, eBooks, or user manuals, PDF files have become the preferred format for sharing and reading documents. However, the cost associated with purchasing PDF files can sometimes be a barrier for many individuals and organizations. Thankfully, there are numerous websites and platforms that allow users to download free PDF files legally. In this article, we will explore some of the best platforms to download free PDFs. One of the most popular platforms to download free PDF files is Project Gutenberg. This online library offers over 60,000 free eBooks that are in the public domain. From classic literature to historical documents, Project Gutenberg provides a wide range of PDF files that can be downloaded and enjoyed on various devices. The website is user-friendly and allows users to search for specific titles or browse through different categories. Another reliable platform for downloading Servicing Sync Circuits free PDF files is Open Library. With its vast collection of over 1 million eBooks, Open Library has something for every reader. The website offers a seamless experience by providing options to borrow or download PDF files. Users simply need to create a free account to access this treasure trove of knowledge. Open Library also allows users to contribute by uploading and sharing their own PDF files, making it a collaborative platform for book enthusiasts. For those interested in academic resources, there are websites dedicated to providing free PDFs of research papers and scientific articles. One such website is Academia.edu, which allows researchers and scholars to share their work with a global audience. Users can download PDF files of research papers, theses, and dissertations covering a wide range of subjects. Academia.edu also provides a platform for discussions and networking within the academic community. When it comes to downloading Servicing Sync Circuits free PDF files of magazines, brochures, and catalogs, Issuu is a popular choice. This digital publishing platform hosts a vast collection of publications from around the world. Users can search for specific titles or explore various categories and genres. Issuu offers a seamless reading experience with its user-friendly interface and allows users to download PDF files for offline reading. Apart from dedicated platforms, search engines also play a crucial role in finding free PDF files. Google, for instance, has an advanced search feature that allows users to filter results by file type. By specifying the file type as "PDF," users can find websites that offer free PDF downloads on a specific topic. While downloading Servicing Sync Circuits free PDF files is convenient, its important

to note that copyright laws must be respected. Always ensure that the PDF files you download are legally available for free. Many authors and publishers voluntarily provide free PDF versions of their work, but it's essential to be cautious and verify the authenticity of the source before downloading Servicing Sync Circuits. In conclusion, the internet offers numerous platforms and websites that allow users to download free PDF files legally. Whether it's classic literature, research papers, or magazines, there is something for everyone. The platforms mentioned in this article, such as Project Gutenberg, Open Library, Academia.edu, and Issuu, provide access to a vast collection of PDF files. However, users should always be cautious and verify the legality of the source before downloading Servicing Sync Circuits any PDF files. With these platforms, the world of PDF downloads is just a click away.

FAQs About Servicing Sync Circuits Books

What is a Servicing Sync Circuits PDF? A PDF (Portable Document Format) is a file format developed by Adobe that preserves the layout and formatting of a document, regardless of the software, hardware, or operating system used to view or print it. **How do I create a Servicing Sync Circuits PDF?** There are several ways to create a PDF: Use software like Adobe Acrobat, Microsoft Word, or Google Docs, which often have built-in PDF creation tools. Print to PDF: Many applications and operating systems have a "Print to PDF" option that allows you to save a document as a PDF file instead of printing it on paper. Online converters: There are various online tools that can convert different file types to PDF. **How do I edit a Servicing Sync Circuits PDF?** Editing a PDF can be done with software like Adobe Acrobat, which allows direct editing of text, images, and other elements within the PDF. Some free tools, like PDFescape or Smallpdf, also offer basic editing capabilities. **How do I convert a Servicing Sync Circuits PDF to another file format?** There are multiple ways to convert a PDF to another format: Use online converters like Smallpdf, Zamzar, or Adobe Acrobat's export feature to convert PDFs to formats like Word, Excel, JPEG, etc. Software like Adobe Acrobat, Microsoft Word, or other PDF editors may have options to export or save PDFs in different formats. **How do I password-protect a Servicing Sync Circuits PDF?** Most PDF editing software allows you to add password protection. In Adobe Acrobat, for instance, you can go to "File" -> "Properties" -> "Security" to set a password to restrict access or editing capabilities. Are there any free alternatives to Adobe Acrobat for working with PDFs? Yes, there are many free alternatives for working with PDFs, such as: LibreOffice: Offers PDF editing features. PDFsam: Allows splitting, merging, and editing PDFs. Foxit Reader: Provides basic PDF viewing and editing capabilities. How do I compress a PDF file? You can use online tools like Smallpdf, iLovePDF, or desktop software like Adobe Acrobat to compress PDF files without significant quality loss. Compression reduces the file size, making it easier to share and download. Can I fill out forms in a PDF file? Yes, most PDF viewers/editors like Adobe Acrobat, Preview (on Mac),

or various online tools allow you to fill out forms in PDF files by selecting text fields and entering information. Are there any restrictions when working with PDFs? Some PDFs might have restrictions set by their creator, such as password protection, editing restrictions, or print restrictions. Breaking these restrictions might require specific software or tools, which may or may not be legal depending on the circumstances and local laws.

Find Servicing Sync Circuits :

~~free way to generate leads using AI in 2026 BATCH39-1927~~

~~how to offer AI services to clients in the United States BATCH39-2047~~

step by step guide to build AI automation agency for beginners BATCH39-1244

~~easy method to create faceless YouTube channel with AI in 2026 BATCH39-962~~

~~how to make money with AI tools organically BATCH39-1073~~

~~easy method to automate business with AI in 2026 BATCH39-96~~

~~without experience how to automate customer service with AI for content creators BATCH39-1355~~

~~affordable way to use AI for blogging organically BATCH39-2254~~

~~complete beginner guide to automate dropshipping with AI in the United States BATCH39-2464~~

best way to build AI automation agency that actually works BATCH39-925

proven strategy to make money with AI tools organically BATCH39-697

best way to sell AI generated art organically BATCH39-1970

low budget way to start AI consulting business in 2026 BATCH39-574

~~complete beginner guide to automate dropshipping with AI without paid ads BATCH39-95~~

~~best way to start AI consulting business for content creators BATCH39-18~~

Servicing Sync Circuits :

CONTROL SYSTEMS, KUMAR, A. ANAND, eBook It is a balanced survey of theory aimed to provide the students with an in-depth insight into system behaviour and control of continuous-time control systems. Control Systems: A. Anand Kumar - Books Written in a student-friendly readable manner, the book explains the basic fundamentals and concepts of control systems in a clearly understandable form. It is ... Control Systems by A. Anand Kumar PDF Control Systems by A. Anand Kumar.pdf - Free ebook download as PDF File (.pdf) or read book online for free. Control Systems by Anand Kumar PDF - Free PDF Books Jun 7, 2017 - Download Control Systems by Anand Kumar PDF, Control Systems by Anand Kumar Book,

Control Systems by Anand Kumar Download ... Control Systems Paperback A. Anand Kumar Item Number. 276169245928 ; Book Title. Control Systems Paperback A. Anand Kumar ; ISBN. 9788120349391 ; Accurate description. 4.9 ; Reasonable shipping cost. 5.0. Control Systems by Anand Kumar Recommend Stories · Pdc by Anand Kumar · signals and systems by a Anand Kumar · Control Systems by A. Anand Kumar.pdf · DSP Anand Kumar PDF · Digital Circuits - ... Control Systems, 2/E - Kumar A A: 9788120349391 This comprehensive text on control systems is designed for undergraduate students pursuing courses in electronics and communication engineering, electrical ... Absolute & Relative Stability ||Control system ||Anand Kumar Edition 2 by A. ANAND KUMAR - CONTROL SYSTEMS CONTROL SYSTEMS: Edition 2 - Ebook written by A. ANAND KUMAR. Read this book using Google Play Books app on your PC, android, iOS devices. Buy Control Systems by Kumar A. Anand at Low ... - Flipkart Control Systems (English, Paperback, Kumar A. Anand). 112 ratings. 7% off. 699. ₹649. Find a seller that delivers to you. Enter pincode. FREE Delivery. Vector Mechanics for Engineering Dynamics Solution ... Vector Mechanics for Engineering Dynamics Solution Manual 9th Beer and Johnston.pdf · Access 47 million research papers for free · Keep up-to-date with the latest ... Vector Mechanics For Engineers: Statics And Dynamics ... 3240 solutions available. Textbook Solutions for Vector Mechanics for Engineers: Statics and Dynamics. by. 9th Edition. Author: Ferdinand P. Beer, David F ... (PDF) Vector Mechanics for Engineers: Statics 9th Edition ... Vector Mechanics for Engineers: Statics 9th Edition Solution Manual by Charbel-Marie Akplogan. Vector Mechanics for Engineers: Statics and Dynamics ... 9th Edition, you'll learn how to solve your toughest homework problems. Our resource for Vector Mechanics for Engineers: Statics and Dynamics includes answers ... Vector Mechanics for Engineers: Statics 9th Edition ... Vector Mechanics for Engineers: Statics 9th Edition Solution Manual. Solutions To VECTOR MECHANICS For ENGINEERS ... Solutions to Vector Mechanics for Engineers Statics 9th Ed. Ferdinand P. Beer, E. Russell Johnston Ch05 - Free ebook download as PDF File. Vector Mechanics for Engineers: Dynamics - 9th Edition Textbook solutions for Vector Mechanics for Engineers: Dynamics - 9th Edition... 9th Edition BEER and others in this series. View step-by-step homework ... Free pdf Vector mechanics for engineers dynamics ... - resp.app Eventually, vector mechanics for engineers dynamics 9th solution will totally discover a further experience and feat by spending more cash. Solution Vector Mechanics for Engineers, Statics and ... Solution Vector Mechanics for Engineers, Statics and Dynamics - Instructor Solution Manual by Ferdinand P. Beer, E. Russell Johnston, Jr. Free reading Vector mechanics for engineers dynamics 9th ... May 5, 2023 — vector mechanics for engineers dynamics 9th solutions. 2023-05-05. 2/2 vector mechanics for engineers dynamics 9th solutions. When somebody ... Mazda 3 (2003-2008) , 5 (2005-2008) Head Unit pinout Jan 27, 2022 — Right Rear Speaker Positive Wire (+): White Right Rear Speaker Negative Wire (-): Gray. 16 pin Mazda Head Unit proprietary connector layout 2007 Mazda 3 Radio Wiring Chart - the12volt.com Jul 25, 2007 — 2007 Mazda 3 Radio Wiring Chart ; RR Speaker +/-, white - gray, +,- ; Notes: The subwoofer wires are gray/white - WHITE/ blue at the amplifier. I need wire diagram for a 2007 Mazda 3 S my vin is Jul 13, 2020 — From radio unit to the bose amp to the

speakers. Thank you. Mechanic's Assistant: Have you checked all the fuses? Do you have a wiring diagram? 2007 Mazda 3 Stereo Wiring Diagrams Right Front Speaker Positive Wire (+): White/Red; Right Front Speaker Negative Wire (-): Gray/Red; Car Audio Rear Speakers ... MAZDA Car Radio Stereo Audio Wiring Diagram Autoradio ... Mazda 3 2011 stereo wiring diagram. Mazda 3 2011 stereo wiring diagram. Mazda ... Car radio wiring colour codes car radio speakers. Copyright © 2007 Tehnomagazin. Bose wiring diagram - Finally! *edited 5/15/07 Nov 7, 2005 — Here is a preview of my walkthrough, still have to take pics of the harness to make it a little easier. The top denotes the half of the ... 2007 SYSTEM WIRING DIAGRAMS Mazda HEADINGS. USING MITCHELL1'S WIRING DIAGRAMS; AIR CONDITIONING; ANTI-LOCK BRAKES; ANTI-THEFT; COMPUTER DATA LINES; COOLING FAN; CRUISE CONTROL. 2.0L 2.3L 2.3L ... Radio Wiring Diagram Mazda 3 2007 : r/mazda3 Google "2007 Mazda 3 radio wiring diagram" and you will find oodles. Mazda is lazy efficient, so they all use the same wiring diagram. Does anyone know what all the stereo wire colors represent Oct 15, 2005 — Yellow is accessory power, red is constant, black is ground, purple is right rear, green is left rear, gray is right front, white is left front.