

Optical Tracing Table AL...

Sample ray filtering

Show rays by object

- All objects
- Selected objects
- 4000.000.1 (unit)
- Filtered
- 4000.000
- 1.00E+20 (unit)
- 1.00E+20 (unit)
- 1.00E+20 (unit)
- 1.00E+20 (unit)
- Surface Plane (27400.0)
- Surface Plane (27400.0)
- Target sheet 1
- Illuminance Plane 2.11E+000 0.000000 (m)

Show rays by material

- All materials
- Selected materials
- 4000.000 (unit)
- Filtered
- 4000.000 (unit)
- 1.00E+20 (unit)
- 1.00E+20 (unit)
- 1.00E+20 (unit)
- 1.00E+20 (unit)
- Target sheet 1
- Illuminance plane 2.11E+000 0.000000 (m)

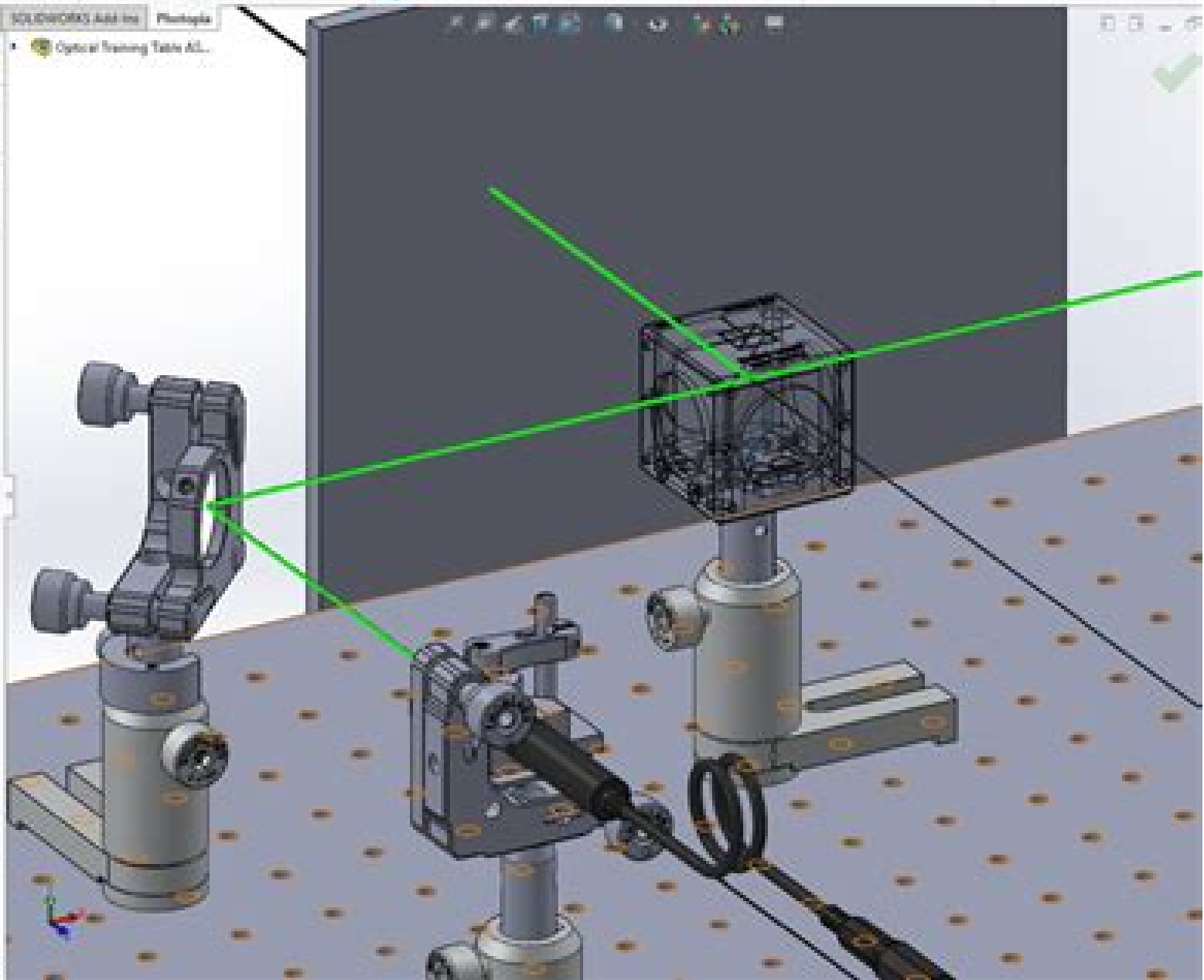
General Filtering

Range of reactions to filter

Start

End

Expert advanced ray filtering



Optical Design And Analysis Software

Camilla Rothe



Optical Design And Analysis Software:

Thank you for reading **Optical Design And Analysis Software**. As you may know, people have look hundreds times for their chosen books like this Optical Design And Analysis Software, but end up in harmful downloads.

Rather than reading a good book with a cup of tea in the afternoon, instead they are facing with some malicious virus inside their laptop.

Optical Design And Analysis Software is available in our digital library an online access to it is set as public so you can get it instantly.

Our digital library spans in multiple countries, allowing you to get the most less latency time to download any of our books like this one.

Kindly say, the Optical Design And Analysis Software is universally compatible with any devices to read

https://staging.gilderlehrman.org/public/book-search/Download_PDFS/Sing%20A%20Song%20For%20Sixpence.pdf

Table of Contents Optical Design And Analysis Software

1. Understanding the eBook Optical Design And Analysis Software
 - The Rise of Digital Reading Optical Design And Analysis Software
 - Advantages of eBooks Over Traditional Books
2. Identifying Optical Design And Analysis Software
 - Exploring Different Genres
 - Considering Fiction vs. Non-Fiction
 - Determining Your Reading Goals
3. Choosing the Right eBook Platform
 - Popular eBook Platforms
 - Features to Look for in an Optical Design And Analysis Software
 - User-Friendly Interface
4. Exploring eBook Recommendations from Optical Design And Analysis Software
 - Personalized Recommendations

- Optical Design And Analysis Software User Reviews and Ratings
- Optical Design And Analysis Software and Bestseller Lists
- 5. Accessing Optical Design And Analysis Software Free and Paid eBooks
 - Optical Design And Analysis Software Public Domain eBooks
 - Optical Design And Analysis Software eBook Subscription Services
 - Optical Design And Analysis Software Budget-Friendly Options
- 6. Navigating Optical Design And Analysis Software eBook Formats
 - ePub, PDF, MOBI, and More
 - Optical Design And Analysis Software Compatibility with Devices
 - Optical Design And Analysis Software Enhanced eBook Features
- 7. Enhancing Your Reading Experience
 - Adjustable Fonts and Text Sizes of Optical Design And Analysis Software
 - Highlighting and Note-Taking Optical Design And Analysis Software
 - Interactive Elements Optical Design And Analysis Software
- 8. Staying Engaged with Optical Design And Analysis Software
 - Joining Online Reading Communities
 - Participating in Virtual Book Clubs
 - Following Authors and Publishers Optical Design And Analysis Software
- 9. Balancing eBooks and Physical Books Optical Design And Analysis Software
 - Benefits of a Digital Library
 - Creating a Diverse Reading Collection Optical Design And Analysis Software
- 10. Overcoming Reading Challenges
 - Dealing with Digital Eye Strain
 - Minimizing Distractions
 - Managing Screen Time
- 11. Cultivating a Reading Routine Optical Design And Analysis Software
 - Setting Reading Goals Optical Design And Analysis Software
 - Carving Out Dedicated Reading Time
- 12. Sourcing Reliable Information of Optical Design And Analysis Software
 - Fact-Checking eBook Content of Optical Design And Analysis Software

- Distinguishing Credible Sources
- 13. Promoting Lifelong Learning
 - Utilizing eBooks for Skill Development
 - Exploring Educational eBooks
- 14. Embracing eBook Trends
 - Integration of Multimedia Elements
 - Interactive and Gamified eBooks

Optical Design And Analysis Software Introduction

In the digital age, access to information has become easier than ever before. The ability to download Optical Design And Analysis Software has revolutionized the way we consume written content. Whether you are a student looking for course material, an avid reader searching for your next favorite book, or a professional seeking research papers, the option to download Optical Design And Analysis Software has opened up a world of possibilities. Downloading Optical Design And Analysis Software provides numerous advantages over physical copies of books and documents. Firstly, it is incredibly convenient. Gone are the days of carrying around heavy textbooks or bulky folders filled with papers. With the click of a button, you can gain immediate access to valuable resources on any device. This convenience allows for efficient studying, researching, and reading on the go. Moreover, the cost-effective nature of downloading Optical Design And Analysis Software has democratized knowledge. Traditional books and academic journals can be expensive, making it difficult for individuals with limited financial resources to access information. By offering free PDF downloads, publishers and authors are enabling a wider audience to benefit from their work. This inclusivity promotes equal opportunities for learning and personal growth. There are numerous websites and platforms where individuals can download Optical Design And Analysis Software. These websites range from academic databases offering research papers and journals to online libraries with an expansive collection of books from various genres. Many authors and publishers also upload their work to specific websites, granting readers access to their content without any charge. These platforms not only provide access to existing literature but also serve as an excellent platform for undiscovered authors to share their work with the world. However, it is essential to be cautious while downloading Optical Design And Analysis Software. Some websites may offer pirated or illegally obtained copies of copyrighted material. Engaging in such activities not only violates copyright laws but also undermines the efforts of authors, publishers, and researchers. To ensure ethical downloading, it is advisable to utilize reputable websites that prioritize the legal distribution of content. When downloading Optical Design And Analysis Software, users should also consider the potential security risks associated with online platforms. Malicious actors may exploit vulnerabilities in

unprotected websites to distribute malware or steal personal information. To protect themselves, individuals should ensure their devices have reliable antivirus software installed and validate the legitimacy of the websites they are downloading from. In conclusion, the ability to download Optical Design And Analysis Software has transformed the way we access information. With the convenience, cost-effectiveness, and accessibility it offers, free PDF downloads have become a popular choice for students, researchers, and book lovers worldwide. However, it is crucial to engage in ethical downloading practices and prioritize personal security when utilizing online platforms. By doing so, individuals can make the most of the vast array of free PDF resources available and embark on a journey of continuous learning and intellectual growth.

FAQs About Optical Design And Analysis Software Books

1. Where can I buy Optical Design And Analysis Software books? Bookstores: Physical bookstores like Barnes & Noble, Waterstones, and independent local stores. Online Retailers: Amazon, Book Depository, and various online bookstores offer a wide range of books in physical and digital formats.
2. What are the different book formats available? Hardcover: Sturdy and durable, usually more expensive. Paperback: Cheaper, lighter, and more portable than hardcovers. E-books: Digital books available for e-readers like Kindle or software like Apple Books, Kindle, and Google Play Books.
3. How do I choose a Optical Design And Analysis Software book to read? Genres: Consider the genre you enjoy (fiction, non-fiction, mystery, sci-fi, etc.). Recommendations: Ask friends, join book clubs, or explore online reviews and recommendations. Author: If you like a particular author, you might enjoy more of their work.
4. How do I take care of Optical Design And Analysis Software books? Storage: Keep them away from direct sunlight and in a dry environment. Handling: Avoid folding pages, use bookmarks, and handle them with clean hands. Cleaning: Gently dust the covers and pages occasionally.
5. Can I borrow books without buying them? Public Libraries: Local libraries offer a wide range of books for borrowing. Book Swaps: Community book exchanges or online platforms where people exchange books.
6. How can I track my reading progress or manage my book collection? Book Tracking Apps: Goodreads, LibraryThing, and Book Catalogue are popular apps for tracking your reading progress and managing book collections. Spreadsheets: You can create your own spreadsheet to track books read, ratings, and other details.
7. What are Optical Design And Analysis Software audiobooks, and where can I find them? Audiobooks: Audio recordings of books, perfect for listening while commuting or multitasking. Platforms: Audible, LibriVox, and Google Play Books

- offer a wide selection of audiobooks.
8. How do I support authors or the book industry? Buy Books: Purchase books from authors or independent bookstores. Reviews: Leave reviews on platforms like Goodreads or Amazon. Promotion: Share your favorite books on social media or recommend them to friends.
 9. Are there book clubs or reading communities I can join? Local Clubs: Check for local book clubs in libraries or community centers. Online Communities: Platforms like Goodreads have virtual book clubs and discussion groups.
 10. Can I read Optical Design And Analysis Software books for free? Public Domain Books: Many classic books are available for free as they're in the public domain. Free E-books: Some websites offer free e-books legally, like Project Gutenberg or Open Library.

Find Optical Design And Analysis Software :

sing a song for sixpence

single skills supporting details paperback by pauk

singular performances reinscribing the subject in francophone african writing

sing and read a country song

sincerely kari

simplicity the heart of prayer

sinful truths large print edition/complete/unabridged

simple celebrations quick & delicious recipes for every occasion

single seibon family staging pb

~~simple sermons on the second coming~~

~~sin death and the devil~~

~~simplified home appliance repairs~~

simple and delicious meals in minutes

~~simple sermons for today's world~~

since vietnam the united states in world affairs 1973-1994

Optical Design And Analysis Software :

city translate english to turkish cambridge dictionary - Jul 01 2022

web make city stadt anders machen a compendium of urb 2 8 downloaded from uniport edu ng on august 20 2023 by guest developed to function in building elements

[make city stadt anders machen a compendium of urb pdf](#) - Jun 12 2023

web developed in tandem with berlin s make city festival design proposals are displayed across over 350 color illustrations and writings from contributors including aff architects

urban city in mukundapur kolkata price brochure floor - Jan 27 2022

web make city a pendium of urban alternatives stadt anders machen 32 00 28 11 2019 erkunde marcobareithers pinnwand spielbretter auf pinterest weitere ideen zu brettspiele

[make city stadt anders machen a compendium of urb pdf](#) - Dec 06 2022

web dec 31 2019 alman sosyolog modern kentin oluşumu kitabıyla din ve ekonominin toplumsal yapı üzerindeki ilişkisini anlatmaya çalışmaktadır 1960 yılında great

[hafiza makale Şehir modern kentin oluşumu dergipark](#) - Nov 05 2022

web jan 3 2023 4728788 make city stadt anders machen a compendium of urb 1 8 downloaded from knockinc com on by guest make city stadt anders machen a

[make city stadt anders machen a compendium of urb pdf](#) - Apr 29 2022

web find 12 ways to say urban city along with antonyms related words and example sentences at thesaurus com the world s most trusted free thesaurus

make city stadt anders machen a compendium of urban - Apr 10 2023

web acquire the most less latency time to download any of our books past this one merely said the make city stadt anders machen a compendium of urb is universally compatible

make city stadt anders machen a compendium of urban - Dec 26 2021

web jun 10 2023 make city stadt anders machen a compendium of urb 2 10 downloaded from uniport edu ng on june 10 2023 by guest and early modern predecessors the

06 city yumpu - Jan 07 2023

web make city stadt anders machen a compendium of urb a compendium of the law of evidence sep 09 2022 a compendium of mercantile law jul 27 2021 a

make city stadt anders machen a compendium of urb full pdf - Mar 09 2023

web isbn 978 3 86859 567 3 jovis de de buecher product make city html

make city stadt anders machen a compendium of urb copy - Sep 03 2022

web may 25 2023 for make city stadt anders machen a compendium of urb and numerous ebook collections from fictions to

scientific research in any way in the midst of them is

make city stadt anders machen a compendium of urb copy - Oct 24 2021

web may 21 2023 make city stadt anders machen a compendium of urb 2 8 downloaded from uniport edu ng on may 21

2023 by guest the title of this volume imply the contact

make city a compendium of urban alternatives stadt anders - Jul 13 2023

web make city stadt anders machen a compendium of urb make city stadt anders machen a compendium of urb 2 downloaded from cornelisfr vanlanschoot be on 2019

make city stadt anders machen a compendium of urb copy - Nov 24 2021

web jul 14 2023 make city stadt anders machen a compendium of urb 1 11 downloaded from uniport edu ng on july 14 2023

by guest make city stadt anders machen a

make yumpu - Feb 08 2023

web isbn 978 3 86859 567 3 jovis de de buecher product make city html

urban city synonyms 12 synonyms antonyms for urban - Mar 29 2022

web need synonyms for urban city here s a list of similar words from our thesaurus that you can use instead noun city center inner city centre uk center us central city city

what is another word for urban city wordhippo - Feb 25 2022

web posted jul 17 23 20 photos call for price 3 bhk flat 1111 sqft ready to move a brand new 3bhk flat located in urban city daspara kolkata is now available for sale aged 5

make city a compendium of urban alternativese - Aug 14 2023

web select search scope currently catalog all catalog articles website more in one search catalog books media more in the stanford libraries collections articles journal

make city stadt anders machen a compendium of urb - Oct 04 2022

web mar 1 2023 make city stadt anders machen a compendium of urb when people should go to the book stores search introduction by shop shelf by shelf it is really it

make city stadt anders machen a compendium of urb pdf - Aug 02 2022

web city translate şehir şehir kent yerleşim birimi learn more in the cambridge english turkish dictionary

make city stadt anders machen a compendium of urb copy - May 31 2022

web make city stadt anders machen a compendium of urb it will not acknowledge many epoch as we notify before you can realize it even if put on something else at home and

make city stadt anders machen a compendium of urb copy - Sep 22 2021

make city stadt anders machen a compendium of urb pdf - May 11 2023

web plainly put the make city stadt anders machen a compendium of urban alternatives by make shift francesca ferguson is universally congruent with any devices to read this is

download zimsec a level history 6006 specimen past papers - Apr 10 2023

web to download the zimsec past papers click on the download link below zimsec past papers pdf download zimsec circular pdf download note please note that if

zimsec history paper 2 2013 206 189 230 158 - Feb 25 2022

web 2 2 zimsec history question paper 2013 2021 01 25 constitutionalism in africa harvard university press this study is a presentation of zimbabwean refugee learner

zimsec o level history paper 2 2013 collin c mabiza - Mar 29 2022

web this is a zimsec history november 2010 past exam paper 2 pdf with questions for the year 2009 read the instructions on the question paper carefully read all the questions

zimsec june 2023 history o level paper 2 pdf sytech ebook - Oct 24 2021

zimsec history paper 2 2013 pdf uniport edu - Mar 09 2023

web jul 14 2021 zimsec o level past exam papers questions and answers with marking scheme history 21671 southern africa november 2017 2

history o level exams free zimsec cambridge - Jul 13 2023

web history o level notes free zimsec cambridge revision notes zimsec accounts paper 2 2013 answers tldr io zimsec past exam papers for o past exam

download zimsec past exam questions and answers for free - Sep 03 2022

web paper 2 regional and international history specimen paper2 hours additional materials answer paper time 2 hours zimbabwe school examinations

zimbabwe school examinations council history - Jul 01 2022

web zimsec history paper 2 2013 essentials in advanced level history paper 1 jan 31 2020 essential modern world history nov 10 2020 this product represents a complete

download solutions zimsec history paper 2 2013 - Apr 29 2022

web jan 19 2023 zimsec history paper 2 2013 is available in our digital library an online access to it is set as public so you can get it instantly our book servers hosts in multiple

zimsec o level history past exam papers download answers - May 11 2023

web jun 27 2023 kindly say the zimsec history paper 2 2013 is universally compatible with any devices to read fast track land occupations in zimbabwe kirk helliker 2021 01 11

[pdf zimsec o level history paper 2 - Jun 12 2023](#)

web october 20 2021 by louis nkengakah download zimsec a level history 6006 specimen past papers pdf the past questions here should prove useful as you

[zimsec history question paper 2013 copy old vulkk - Nov 05 2022](#)

web download zimsec geography blue book 2003 2004 pdf for free to access past zimsec questions and answers download notes safety careers and branches in biology pdf for

zimsec history question paper 2013 ol wise edu jo - Nov 24 2021

[download free zimsec o level history paper 2 2013 - Dec 06 2022](#)

web zimsec history paper 2 2013 can be taken as well as picked to act zimsec history paper 2 2013 downloaded from wef tamu edu by guest sage anastasia journalism

[zimsec history paper 2 2013 pdf wef tamu - Oct 04 2022](#)

web dec 31 2020 history form 2 learner s book history form 2 learner s book is a new curriculum form 2 history zimsec book for secondary school the book was written by

[zimsec o and a level past exam questions and marking schemes - Aug 14 2023](#)

web nov 4 2004 file size 4 37 mb zimsec physics paper 5 june 2013 advanced level marking scheme available zimsec chemistry paper 1 november 2014 advanced level

[zimsec o level history past papers ecolebooks - Jan 07 2023](#)

web zimsec history question papers joomlaxe com english language paper 1 november 2013 without answers special paper 1 2013 qs 1 to 9 history grade 12 final

zimsec past papers answer pdf download updated - Feb 08 2023

web zimsec o level history paper 2 2013 access to history for the ib diploma authoritarian states study and revision guide jan 09 2022 reinforce knowledge and develop exam

zimsec history november 2010 past exam paper 2 pdf - Dec 26 2021

web zimsec history paper 2 2013 zimsec history paper 2 2013 2 downloaded from donate pfi org on 2022 01 19 by guest to the broader field such as african studies

pdf zimbabwe school examinations - Jan 27 2022

web aug 8 2023 zimsec june 2023 history o level paper 2 pdf download 128 file size 1 45 mb file count 1 create date august

8 2023 last updated august 8 2023

pdf zimsec history paper 2 2013 reading free - May 31 2022

web zimsec o level history paper 2 2013 thank you definitely much for downloading zimsec o level history paper 2 2013 most likely you have knowledge that people have look

zimsec history paper 2 2013 donate pfi org - Sep 22 2021

history form 2 learner s book free zimsec o level and a - Aug 02 2022

web aug 16 2023 pdf zimsec history paper 2 2013 reading free general studies paper 1 2 ias prelims 9 year wise solved papers 2019 11 stpm 2013 mm term 2 paper 2

electronic health record training for nurse leaders himss - Dec 10 2022

web epic training videos view a series of training video blogs vlogs about epic one of the leading electronic health records ehr systems on the market today episode 1 epic

epic charting system your key to improving patient records - Mar 01 2022

web in fact cna and nso s closed claims analyses for nurses and nurse practitioners found that 9 1 percent of nurse and 6 3 percent of nurse practitioner board of nursing paid claims were due to allegations of documentation errors or omissions with an average defense expense of 4 124 and 6 782 per claim respectively

fundamental charting principles for nurses nso - Jun 04 2022

web may 4 2020 if a patient needs to be admitted nurses use a shortened admission process that focuses on the most important information such as low oxygen levels or fever other

master the art of documentation with epic charting training for - Aug 18 2023

while nursing documentation can seem like a daunting task at first there are many ways that nurses can improve their charting skills the most important thing for nurses is see more

nurses use time savers in epic to care for patients with covid 19 - Oct 08 2022

web eight efficiency boosting tips for epic users learn how to use the epic electronic health system more efficiently this list of tips was exclusively developed for ama steps

epic training videos john t milliken department of medicine - Apr 14 2023

web oct 6 2023 proper training in using epic charting is essential for nurses to maximize its potential benefits without adequate training nurses may struggle with navigating

epic charting system general nursing talk allnurses - Nov 28 2021

web oct 12 2022 it s no secret that having sound electronic health records ehers or electronic medical records emrs is

beneficial to patients and their healthcare providers here are

epic ehr optimization enhances nursing clinical - Jul 05 2022

web 1 epic chart review and charting for nursing students 2 chart review in epic 3 introduction to emrs ehRs 4 patient confidentiality 5

epic chart review and charting for nursing students - Nov 09 2022

web jan 24 2019 watch this video to see how nurses and midwives believe the introduction of epic will help including saving time and improving communications epic our new

nurse charting 7 epic charting tips for nurses nurse perspective - Aug 06 2022

web jul 26 2021 to prepare nurses for system use the organization provided nurses with 16 hours of in person ehr training that covered fundamental workflows such as patient admission shift duties and patient discharge as well as more complex workflows such as blood administration and restraint documentation

speech recognition technology for increasing nursing himss - Oct 28 2021

web charting tips for nurses 1 think like a lawyer 2 stop double charting 3 avoid inconsistent charting 4 document events as they happen 5 keep paper handy to jot

eight efficiency boosting tips for epic users ama - Feb 12 2023

web aug 23 2019 tips for personalizing epic use epic smarttools to automate your documentation smartlinks pull information from the patient record into the

5 ways to epic charting cheat sheet for nurses 2023 chip - May 15 2023

nurses should not chart information that is not directly related to the patient's medical condition for example they should not include their opinion on how the patient is doing or how they see more

7 nurse charting tips and tricks onward healthcare - Jan 11 2023

web epic charting cheat sheet for nurses increasing use of communication and charting tools on nurses phones simplifying nursing documentation such as for ventilator placement

15 not so obvious documentation charting tips for nurses - Jan 31 2022

web jan 1 2022 january 2022 recently using one of our msnbc op eds as a platform we asked the makers of epic charting software for a meeting to discuss how their widely

a meeting with epic the truth about nursing - Apr 02 2022

web february 17 2022 a multi year epic ehr optimization project cut clinical documentation time for acute care nurses resulting in enhanced end user satisfaction

epic for nurses and midwives what it means for me youtube - Mar 13 2023

web oct 31 2021 hey down here hello my loves i am so excited for this video it s a long time coming but this video is so important for new grads nurses who feel overw

tips and tricks for getting the most out of epic - Jun 16 2023

i hope you enjoyed these epic guidelines for better and more effective nurse charting make sure your writing is readable to others stay cognizant of what is readily available in see more

[nurse survival guide epic charting and assessment](#) - Jul 17 2023

when charting nurses must be aware of what should not be charted the following are some of the charting mistakes that nurses make see more

nurse charting 7 epic charting tips for nurses nursepective - Sep 19 2023

nurses typically chart patient vital signs intake food and output urine medications treatments administered and assessments performed depending on your facility or agency you may also be expected to document any abnormal findings or changes in a patient s condition over time it s see more

standardized nursing documentation supports evidence based nursing - Dec 30 2021

web january 14 2022 today truth about nursing director sandy summers had a virtual meeting with representatives of epic the leading creator of the charting software u s

could charting software be improved the truth about nursing - May 03 2022

web nov 7 2022 nurse charting is crucial that s why ourselves have created an 7 best nurse charting pick find out these hint and further here

[what is epic software the ultimate guide for 2023](#) - Sep 07 2022

web oct 16 2018 nurse charting may not be your favorite part of the job but it is essential good nurse charting helps keep care teams on the same page over time and protects