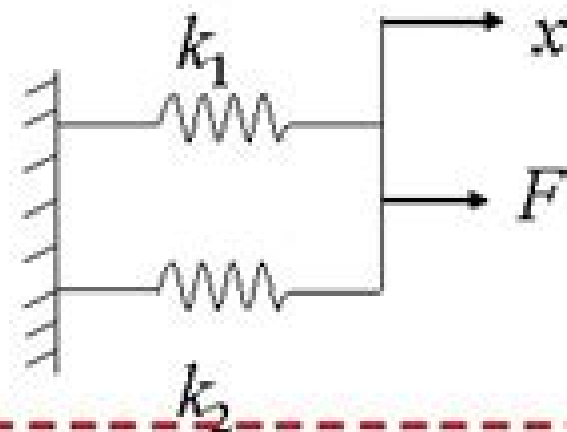


3-2 Mathematical modeling of mechanical systems

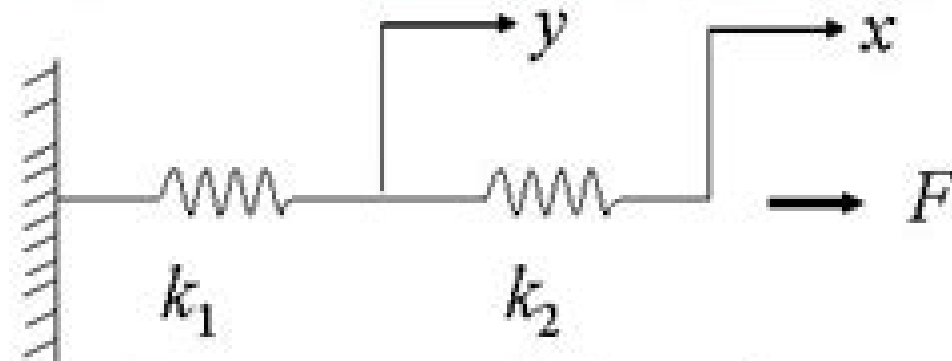
Example. Equivalent spring constants.



$$k_1 x + k_2 x = F \Rightarrow k_{eq} = k_1 + k_2$$

$$k_1 y = F, k_2 (x - y) = F$$

$$\Rightarrow k_2 \left(x - \frac{F}{k_1} \right) = F$$



$$k_{eq} = \frac{F}{x} = \frac{1}{\frac{1}{k_1} + \frac{1}{k_2}}$$

Systems consisting of two springs in parallel and series, respectively.

Mathematical Modeling In Discrete Mechanical Systems

**Malcolm Stewart Townend, David C.
Pountney**



Mathematical Modeling In Discrete Mechanical Systems:

Mathematical Modelling of Complex Mechanical Systems: Discrete models K. Arczewski, J. Pietrucha, 1993 This the first of a two volume work presents the fundamentals of model creation providing a methodology for the creation of mathematical models at various levels of mechanical phenomena Examples illustrate the text taken from the fields of aeronautical civil and mechanical engineering

Nonlinear Systems, 2018-07-18 This book focuses on several key aspects of nonlinear systems including dynamic modeling state estimation and stability analysis It is intended to provide a wide range of readers in applied mathematics and various engineering disciplines an excellent survey of recent studies of nonlinear systems With its thirteen chapters the book brings together important contributions from renowned international researchers to provide an excellent survey of recent studies of nonlinear systems The first section consists of eight chapters that focus on nonlinear dynamic modeling and analysis techniques while the next section is composed of five chapters that center on state estimation methods and stability analysis for nonlinear systems

Mathematical Modelling for Information

Technology A. O. Moscardini, E. H. Robson, 1988 Vibration Dynamics and Control Giancarlo Genta, 2008-12-17 Mechanical engineering and engineering discipline born of the needs of the industrial revolution is once again asked to do its substantial share in the call for industrial renewal The general call is urgent as we face profound issues of productivity and competitiveness that require engineering solutions among others The Mechanical Engineering Series is a series of tutoring graduate texts and research monographs intended to address the need for information in contemporary areas of mechanical engineering The series is conceived as a comprehensive one that covers a broad range of concentrations important to mechanical engineering graduate education and research We are fortunate to have a distinguished roster of series editors each an expert in one of the areas of concentration The names of the series editors are listed on page vi of this volume The areas of concentration are applied mechanics biomechanics computational mechanics dynamic systems and control energetics mechanics of materials processing thermal science and tribology Preface

After 15 years since the publication of Vibration of Structures and Machines and three subsequent editions a deep reorganization and updating of the material was felt necessary This new book on the subject of Vibration dynamics and control is organized in a larger number of shorter chapters hoping that this can be helpful to the reader New material has been added and many points have been updated A larger number of examples and of exercises have been included

Multibody Systems Christoph Woernle, 2024-07-23 The book Multibody Systems guides the reader from the fundamentals of engineering mechanics to the formulations of the kinematic and dynamic equations of systems of rigid bodies suitable for computational generation Multibody systems are used for the numerical simulation of complex mechanical systems in mechanical engineering automotive engineering aerospace engineering and biomechanics The presentation focuses on the implicit and explicit mathematical formulations of the bonds that geometrically constrain the motion of the partial bodies and define the

directions of the reaction forces and reaction moments This results in a consistent and common approach to the various known forms of the equations of motion of multibody systems In addition to open multibody systems with a tree structure closed multibody systems with kinematic loops are also treated in detail In the third edition planar multibody systems are presented in a separate chapter to facilitate the transition from mass point systems to spatial multibody systems

CAD Based Programming for Sensory Robots Bahram Ravani,2012-12-06 This book contains 26 papers presented at the NATO Advanced Research Workshop on CAD Based Programming for Sensory Robots held in IL CIOCCa Italy July 4 6 1988 CAD based robot programming is considered to be the process where CAD Computer Based models are used to develop robot programs If the program is generated at least partially by a programmer interacting for example with a computer graphical display of the robot and its work environment the process is referred to as graphical off line programming On the other hand if the robot program is generated automatically for example by a computer then the process is referred to as automatic robot programming The key element here is the use of CAD models both for interactive and automatic generation of robot programs CAD based programming therefore brings together computer based modeling and robot programming and as such cuts across several disciplines including geometric modeling robot programming kinematic and dynamic modeling artificial intelligence sensory monitoring and so on

Mathematical Modelling of Complex Mechanical Systems Krzysztof Paweł Arczewski,Józef Pietrucha,1993 *Topological Optimization and Optimal Transport* Maïtine Bergounioux,Édouard Oudet,Martin Rumpf,Guillaume Carlier,Thierry Champion,Filippo Santambrogio,2017-08-07 By discussing topics such as shape representations relaxation theory and optimal transport trends and synergies of mathematical tools required for optimization of geometry and topology of shapes are explored Furthermore applications in science and engineering including economics social sciences biology physics and image processing are covered Contents Part I Geometric issues in PDE problems related to the infinity Laplace operator Solution of free boundary problems in the presence of geometric uncertainties Distributed and boundary control problems for the semidiscrete Cahn Hilliard Navier Stokes system with nonsmooth Ginzburg Landau energies High order topological expansions for Helmholtz problems in 2D On a new phase field model for the approximation of interfacial energies of multiphase systems Optimization of eigenvalues and eigenmodes by using the adjoint method Discrete varifolds and surface approximation Part II Weak Monge Ampere solutions of the semi discrete optimal transportation problem Optimal transportation theory with repulsive costs Wardrop equilibria long term variant degenerate anisotropic PDEs and numerical approximations On the Lagrangian branched transport model and the equivalence with its Eulerian formulation On some nonlinear evolution systems which are perturbations of Wasserstein gradient flows Pressureless Euler equations with maximal density constraint a time splitting scheme Convergence of a fully discrete variational scheme for a thin film equation Interpretation of finite volume discretization schemes for the Fokker Planck equation as gradient flows for the discrete Wasserstein distance

A

Mathematical Treatment of Dynamical Models in Biological Science Kristína Smítalová, Štefan Šujan, 1991 Providing a comprehensive introduction to mathematical modelling in biology and ecology this book presents numerous results and developments The basic mathematical facts on the theory of the dynamics of biological communities are presented with emphasis placed on the quantitative aspects

Statistical Mechanics of Lattice Models George Macdonald Bell, David Anthony Lavis, 1989

Vibration Control Engineering Ernesto Novillo, 2021-12-09 This book applies vibration engineering to turbomachinery covering installation maintenance and operation With a practical approach based on clear theoretical principles and formulas the book is an essential how to guide for all professional engineers dealing with vibration issues within turbomachinery Vibration problems in turbines large fans blowers and other rotating machines are common issues within turbomachinery Applicable to industries such as oil and gas mining cement pharmaceutical and naval engineering the ability to predict vibration based on frequency spectrum patterns is essential for many professional engineers In this book the theory behind vibration is clearly detailed providing an easy to follow methodology through which to calculate vibration propagation Describing lateral and torsional vibration and how this impacts turbine shaft integrity the book uses mechanics of materials theory and formulas alongside the matrix method to provide clear solutions to vibration problems Additionally it describes how to carry out a risk assessment of vibration fatigue Other topics covered include vibration control techniques the design of passive and active absorbers and rigid non rigid and Z foundations The book will be of interest to professionals working with turbomachinery naval engineering corps and those working on ISO standards 10816 and 13374 It will also aid mechanical engineering students working on vibration and machine design

Mathematics for the Biosciences Anne C. Menell, Michael J. Bazin, 1988

Flow Modelling in Industrial Processes Barry A. Lewis, Michael D. Warren, 1989

Numerical Methods, with Applications in the Biomedical Sciences E. H. Twizell, 1988

Sensors and Controls in the Analysis of Distributed Systems Abdelhaq El Jai, 1988

Viscous and Compressible Fluid Dynamics Michael Edward O'Neill, Frank Chorlton, 1989 Textbooks for students of applied mathematics engineers and useful for meteorologists Introduction to the theory of fluid mechanics companion to same authors Ideal and incompressible fluid dynamics Some prior knowledge of ideal compressibility is desirable Much of the basic mathematical techniques is included Annotation copyrighted by Book News Inc Portland OR

Modelling, Applications, and Applied Problem Solving Werner Blum, Mogens Niss, Ian Huntley, 1989

Laplace Transforms and an Introduction to Distributions Paul B. Guest, 1991

Computer-aided Engineering Mathematics Malcolm Stewart Townend, David C. Pountney, 1989

Numerical Analysis, Algorithms and Computation J. Murphy, Dennis Ridout, Brigid McShane, 1988

This is likewise one of the factors by obtaining the soft documents of this **Mathematical Modeling In Discrete Mechanical Systems** by online. You might not require more get older to spend to go to the ebook creation as with ease as search for them. In some cases, you likewise reach not discover the message Mathematical Modeling In Discrete Mechanical Systems that you are looking for. It will entirely squander the time.

However below, once you visit this web page, it will be so categorically easy to acquire as well as download lead Mathematical Modeling In Discrete Mechanical Systems

It will not bow to many times as we run by before. You can attain it even if accomplish something else at house and even in your workplace. appropriately easy! So, are you question? Just exercise just what we provide below as without difficulty as review **Mathematical Modeling In Discrete Mechanical Systems** what you gone to read!

https://staging.gilderlehrman.org/public/uploaded-files/Download_PDFS/without%20experience%20how%20to%20use%20ai%20for%20instagram%20marketing%20for%20content%20creators%20batch10%201069.pdf

Table of Contents Mathematical Modeling In Discrete Mechanical Systems

1. Understanding the eBook Mathematical Modeling In Discrete Mechanical Systems
 - The Rise of Digital Reading Mathematical Modeling In Discrete Mechanical Systems
 - Advantages of eBooks Over Traditional Books
2. Identifying Mathematical Modeling In Discrete Mechanical Systems
 - Exploring Different Genres
 - Considering Fiction vs. Non-Fiction
 - Determining Your Reading Goals
3. Choosing the Right eBook Platform
 - Popular eBook Platforms
 - Features to Look for in an Mathematical Modeling In Discrete Mechanical Systems
 - User-Friendly Interface

4. Exploring eBook Recommendations from Mathematical Modeling In Discrete Mechanical Systems
 - Personalized Recommendations
 - Mathematical Modeling In Discrete Mechanical Systems User Reviews and Ratings
 - Mathematical Modeling In Discrete Mechanical Systems and Bestseller Lists
5. Accessing Mathematical Modeling In Discrete Mechanical Systems Free and Paid eBooks
 - Mathematical Modeling In Discrete Mechanical Systems Public Domain eBooks
 - Mathematical Modeling In Discrete Mechanical Systems eBook Subscription Services
 - Mathematical Modeling In Discrete Mechanical Systems Budget-Friendly Options
6. Navigating Mathematical Modeling In Discrete Mechanical Systems eBook Formats
 - ePub, PDF, MOBI, and More
 - Mathematical Modeling In Discrete Mechanical Systems Compatibility with Devices
 - Mathematical Modeling In Discrete Mechanical Systems Enhanced eBook Features
7. Enhancing Your Reading Experience
 - Adjustable Fonts and Text Sizes of Mathematical Modeling In Discrete Mechanical Systems
 - Highlighting and Note-Taking Mathematical Modeling In Discrete Mechanical Systems
 - Interactive Elements Mathematical Modeling In Discrete Mechanical Systems
8. Staying Engaged with Mathematical Modeling In Discrete Mechanical Systems
 - Joining Online Reading Communities
 - Participating in Virtual Book Clubs
 - Following Authors and Publishers Mathematical Modeling In Discrete Mechanical Systems
9. Balancing eBooks and Physical Books Mathematical Modeling In Discrete Mechanical Systems
 - Benefits of a Digital Library
 - Creating a Diverse Reading Collection Mathematical Modeling In Discrete Mechanical Systems
10. Overcoming Reading Challenges
 - Dealing with Digital Eye Strain
 - Minimizing Distractions
 - Managing Screen Time
11. Cultivating a Reading Routine Mathematical Modeling In Discrete Mechanical Systems
 - Setting Reading Goals Mathematical Modeling In Discrete Mechanical Systems
 - Carving Out Dedicated Reading Time

12. Sourcing Reliable Information of Mathematical Modeling In Discrete Mechanical Systems
 - Fact-Checking eBook Content of Mathematical Modeling In Discrete Mechanical Systems
 - Distinguishing Credible Sources
13. Promoting Lifelong Learning
 - Utilizing eBooks for Skill Development
 - Exploring Educational eBooks
14. Embracing eBook Trends
 - Integration of Multimedia Elements
 - Interactive and Gamified eBooks

Mathematical Modeling In Discrete Mechanical Systems Introduction

In the digital age, access to information has become easier than ever before. The ability to download Mathematical Modeling In Discrete Mechanical Systems has revolutionized the way we consume written content. Whether you are a student looking for course material, an avid reader searching for your next favorite book, or a professional seeking research papers, the option to download Mathematical Modeling In Discrete Mechanical Systems has opened up a world of possibilities. Downloading Mathematical Modeling In Discrete Mechanical Systems provides numerous advantages over physical copies of books and documents. Firstly, it is incredibly convenient. Gone are the days of carrying around heavy textbooks or bulky folders filled with papers. With the click of a button, you can gain immediate access to valuable resources on any device. This convenience allows for efficient studying, researching, and reading on the go. Moreover, the cost-effective nature of downloading Mathematical Modeling In Discrete Mechanical Systems has democratized knowledge. Traditional books and academic journals can be expensive, making it difficult for individuals with limited financial resources to access information. By offering free PDF downloads, publishers and authors are enabling a wider audience to benefit from their work. This inclusivity promotes equal opportunities for learning and personal growth. There are numerous websites and platforms where individuals can download Mathematical Modeling In Discrete Mechanical Systems. These websites range from academic databases offering research papers and journals to online libraries with an expansive collection of books from various genres. Many authors and publishers also upload their work to specific websites, granting readers access to their content without any charge. These platforms not only provide access to existing literature but also serve as an excellent platform for undiscovered authors to share their work with the world. However, it is essential to be cautious while downloading Mathematical Modeling In Discrete Mechanical Systems. Some websites may offer pirated or illegally obtained copies of copyrighted material. Engaging in such activities not only violates copyright laws but also undermines the efforts of

authors, publishers, and researchers. To ensure ethical downloading, it is advisable to utilize reputable websites that prioritize the legal distribution of content. When downloading Mathematical Modeling In Discrete Mechanical Systems, users should also consider the potential security risks associated with online platforms. Malicious actors may exploit vulnerabilities in unprotected websites to distribute malware or steal personal information. To protect themselves, individuals should ensure their devices have reliable antivirus software installed and validate the legitimacy of the websites they are downloading from. In conclusion, the ability to download Mathematical Modeling In Discrete Mechanical Systems has transformed the way we access information. With the convenience, cost-effectiveness, and accessibility it offers, free PDF downloads have become a popular choice for students, researchers, and book lovers worldwide. However, it is crucial to engage in ethical downloading practices and prioritize personal security when utilizing online platforms. By doing so, individuals can make the most of the vast array of free PDF resources available and embark on a journey of continuous learning and intellectual growth.

FAQs About Mathematical Modeling In Discrete Mechanical Systems Books

How do I know which eBook platform is the best for me? Finding the best eBook platform depends on your reading preferences and device compatibility. Research different platforms, read user reviews, and explore their features before making a choice. Are free eBooks of good quality? Yes, many reputable platforms offer high-quality free eBooks, including classics and public domain works. However, make sure to verify the source to ensure the eBook credibility. Can I read eBooks without an eReader? Absolutely! Most eBook platforms offer web-based readers or mobile apps that allow you to read eBooks on your computer, tablet, or smartphone. How do I avoid digital eye strain while reading eBooks? To prevent digital eye strain, take regular breaks, adjust the font size and background color, and ensure proper lighting while reading eBooks. What the advantage of interactive eBooks? Interactive eBooks incorporate multimedia elements, quizzes, and activities, enhancing the reader engagement and providing a more immersive learning experience. Mathematical Modeling In Discrete Mechanical Systems is one of the best book in our library for free trial. We provide copy of Mathematical Modeling In Discrete Mechanical Systems in digital format, so the resources that you find are reliable. There are also many Ebooks of related with Mathematical Modeling In Discrete Mechanical Systems. Where to download Mathematical Modeling In Discrete Mechanical Systems online for free? Are you looking for Mathematical Modeling In Discrete Mechanical Systems PDF? This is definitely going to save you time and cash in something you should think about.

Find Mathematical Modeling In Discrete Mechanical Systems :

without experience how to use AI for Instagram marketing for content creators BATCH10-1069

best way to automate dropshipping with AI without paid ads BATCH10-512

best way to launch AI agency without paid ads BATCH10-1631

free way to use AI for Instagram marketing in 2026 BATCH10-1344

complete beginner guide to sell AI generated art step by step BATCH10-285

best way to build AI automation agency with free tools BATCH10-1769

free way to use AI for local SEO organically BATCH10-2438

affordable way to use AI for Instagram marketing without paid ads BATCH10-1969

affordable way to automate dropshipping with AI for small business owners BATCH10-1393

without experience how to use AI for blogging in 2026 BATCH10-812

easy method to automate dropshipping with AI organically BATCH10-12

affordable way to create AI chatbot for business with free tools BATCH10-480

affordable way to create AI powered SaaS organically BATCH10-455

low budget way to use AI for YouTube automation without paid ads BATCH10-451

proven strategy to build website using AI without paid ads BATCH10-587

Mathematical Modeling In Discrete Mechanical Systems :

white identity politics is about more than racism vox - Oct 04 2023

web apr 26 2019 this is the argument duke political scientist ashley jardina makes in her book white identity politics

drawing on a decade of data from american national election studies surveys jardina

identity politics wikipedia - Aug 02 2023

web during the democratic primaries presidential candidate pete buttigieg publicly warned that the president and his administration were using white identity politics which he said was the most divisive form of identity politics

what is american white identity and why does it matter - Mar 17 2022

web jan 1 2017 my own research has examined white identity in the united states and probed the degree to which this identification shapes how people feel about political representation white identification is common in the late 1990s and early 2000s a few political science studies concluded that white racial identification was neither prevalent

white identity politics cambridge university press assessment - Aug 22 2022

web about us we unlock the potential of millions of people worldwide our assessments publications and research spread knowledge spark enquiry and aid understanding around the world

[white christian nationalism is polarizing us all to be topic at forum](#) - Oct 24 2022

web 2 days ago perry has described white christian nationalism as an ideology political strategy and an emerging identity he will speak on a house divided how white christian nationalism is polarizing us all joe bessler ph d will speak on how and why religion kills for the best of reasons curbing white christian nationalism on saturday

white identity politics american government politics and policy - Jan 27 2023

web white identity politics provides a timely and insightful look at american racial politics from the perspective of the white majority jardina argues that growing demographic diversity has politicized white identity generating a sense of white deprivation and defense of white privilege that is distinct from racial animus

[white identity politics cambridge university press assessment](#) - Sep 22 2022

web white identity white consciousness and support for federal spending on groups white consciousness and support for legacy admissions white consciousness and opposition to outsourcing white consciousness opposition to increasing trade and opposition to free trade white identity white consciousness and support for

[white identity politics political science oxford bibliographies](#) - Jul 01 2023

web apr 21 2021 as a result white identity is politically consequential for a range of political attitudes and behaviors including opinion on immigration policy contemporary political candidate and partisan preferences attitudes about diversity and globalization preferences for certain social welfare policies opinion toward far right parties

white identity politics by ashley jardina cambridge cambridge - Dec 26 2022

web feb 26 2021 white identity politics by ashley jardina cambridge cambridge university press 2019 384p 24 99 paper volume 19 issue 1

[the rise of white identity politics the new republic](#) - Feb 13 2022

web oct 28 2016 in a study of white americans attitudes and candidate preferences we found that trump s success reflects the rise of white identity politics an attempt to protect the collective interests

how the rise of white identity politics explains the fight over - Nov 24 2022

web aug 10 2021 her book white identity politics argues that white racial grievances more strongly influence political beliefs when white people perceive themselves as under threat which is one

white identity wikipedia - Mar 29 2023

web white identity is the objective or subjective state of perceiving oneself as a white person and as relating to being white white identity has been researched in data and polling historically and in social sciences

[white identity politics by ashley jardina goodreads](#) - Jun 19 2022

web feb 28 2019 ashley jardina 3 88 173 ratings30 reviews amidst discontent over america s growing diversity many white americans now view the political world through the lens of a racial identity whiteness was once thought to be invisible because of whites dominant position and ability to claim the mainstream but today a large portion of whites

[militant white identity politics on full display in gop political ads](#) - Jul 21 2022

web jul 11 2022 the ads of the most recent cycle build on this development of the gun as a symbol of white resistance in this 2022 political ad marjorie taylor greene is wearing dark sunglasses and carrying a

[white identity politics cambridge studies in public opinion and](#) - May 31 2023

web feb 28 2019 in white identity politics ashley jardina offers a landmark analysis of emerging patterns of white identity and collective political behavior drawing on sweeping data where past research on whites racial attitudes emphasized out group hostility jardina brings into focus the significance of in group identity and favoritism

racism rebranded how far right ideology feeds off identity politics - Apr 29 2023

web jan 8 2023 i show that its origins lie in fact on the reactionary right and its primary expression long before it was called identity politics was in the concept of race the belief that one s being

[the rise of white identity politics prospect](#) - May 19 2022

web jul 13 2020 identity politics is usually viewed as a politics of the left and white identity seen as a latecomer to the scene an attempt to replicate the success of minority groups

the surprisingly complex connection between white identity politics and - Apr 17 2022

web jan 19 2019 drawing on data from american national election studies surveys and her own research jardina finds that about thirty to forty per cent of white americans say that white identity is important

the rise of white identity politics washington monthly - Feb 25 2023

web jul 12 2019 the rise of white identity politics white voters increasingly see themselves as a threatened ethnic group by championing an inclusive american identity liberal politicians can offer an

white identity politics cambridge university press assessment - Sep 03 2023

web white identity politics provides a timely and insightful look at american racial politics from the perspective of the white majority jardina argues that growing demographic diversity has politicized white identity generating a sense of white deprivation and defense of white privilege that is distinct from racial animus

I altro volto di gesù memorie di un esseno tomo i italian edition - Aug 21 2022

web mar 5 2023 merely said the I altro volto di gesu memorie di un esseno tomo i pdf is universally compatible with any devices to read jesus the jew géza vermès 1981 01

[l altro volto di gesù memorie di un esseno tomo i by daniel](#) - Dec 13 2021

web jun 18 2023 merely said the l altro volto di gesu memorie di un esseno tomo i pdf is universally compatible with any devices to read the life of saint francis of assisi and

[l altro volto di gesù memorie di un esseno tomo i by daniel](#) - Feb 12 2022

web jun 18 2023 we have enough money l altro volto di gesu memorie di un esseno tomo i pdf and numerous book collections from fictions to scientific research in any

[l altro volto di gesu memorie di un esseno tomo i pdf](#) - Nov 11 2021

[l altro volto di gesù memorie di un esseno tomo i by daniel](#) - Mar 16 2022

web jun 7 2023 l altro volto di gesù daniel meurois givaudan anobii l altro volto di gesu memorie di un esseno vol 1 l altro volto della medaglia lc 8 1 3 in cerca di dio l altro

[memorie di un esseno l altro volto di gesù vol 1](#) - Jan 26 2023

web 5 0 su 5 stelle l altro volto di gesù memorie di un esseno vol 1 recensito in italia il 24 luglio 2021 acquisto verificato un testo che è in grado di risvegliare ricordi di vite

[free pdf download l altro volto di gesu memorie di un](#) - Apr 16 2022

web l altro volto di gesù memorie di un esseno tomo i ebook copyright discover new interests with our collection of free ebook pdf downloads la scoperta dei manoscritti del

[l altro volto di gesù memorie di un esseno tomo i by daniel](#) - Jun 30 2023

web descrizioni di l altro volto di gesù memorie di un esseno tomo i online gratis la scoperta dei manoscritti del mar morto ha riportato alla ribalta gli esseni questo lavoro è un

[l altro volto di gesù edizioni amrita](#) - Sep 02 2023

web l altro volto di gesù autori anne givaudan daniel meurois riferimento 001 20 90 22 00 5 tasse incluse la scoperta dei manoscritti del mar morto ha riportato alla

[l altro volto di gesu memorie di un esseno tomo i ezio](#) - Feb 24 2023

web libri religione ebraismo scorri sopra l immagine per ingrandirla segui l autore daniel meurois memorie di un esseno l altro volto di gesù vol 1 copertina flessibile 1

[ebook l altro volto di gesu memorie di un esseno tomo i](#) - Nov 23 2022

web l altro volto di gesu memorie di un esseno tomo i ritrovata nel parco scott la statua di un ercole a grandezza corriere della sera mar 26 2019 ritrovata nel parco scott

[scarica l altro volto di gesù memorie di un esseno tomo i](#) - May 18 2022

web l altro volto di gesu memorie di un esseno tomo i tomvs opervm divi avrelii avgvstini episcopi hipponensis jun 22 2023
storia d italia sotto ai barbari aug 20

l altro volto di gesù memorie di un esseno vol 1 - May 30 2023

web l altro volto di gesù memorie di un esseno vol 1 ebook daniel meurois e anne givaudan amazon it libri

l altro volto di gesu memorie di un esseno tomo i ezio - Jun 18 2022

web wednesday april 18 2018 scarica l altro volto di gesù memorie di un esseno tomo i anne givaudan pdf scarica pdf leggi
online la scoperta dei manoscritti del mar morto

l altro volto di gesù memorie di un esseno vol 1 - Apr 28 2023

web questa insolita testimonianza non soltanto permette al lettore di partecipare alla vita quotidiana d una comunità essena
dei tempi di gesù ma getta nuova luce sugli

l altro volto di gesu memorie di un esseno tomo i pdf henri - Jul 20 2022

web l altro volto di gesu memorie di un esseno tomo i recognizing the showing off ways to get this ebook l altro volto di gesu
memorie di un esseno tomo i is additionally

scaricare l altro volto di gesù memorie di un esseno tomo i pdf - Sep 21 2022

web l altro volto di gesù memorie di un esseno tomo i italian edition pdf non può fare una lettura emozionante ma l altro volto
di gesù memorie di un esseno tomo i

l altro volto di gesu memorie di un esseno tomo i pdf - Oct 23 2022

web apr 17 2019 lettura l altro volto di gesù memorie di un esseno tomo i select libero en ligne prenota online adesso È
inoltre possibile scaricare fumetti

scaricare l altro volto di gesù memorie di un esseno tomo i pdf - Oct 03 2023

web recensioni totali 15 lettura l altro volto di gesù memorie di un esseno tomo i select libero en ligne prenota online adesso
È inoltre possibile scaricare fumetti

l altro volto di gesu memorie di un esseno tomo i pdf - Jan 14 2022

web jun 7 2023 l altro volto di gesù memorie di un esseno tomo i epub l altro volto di gesù memorie di un esseno tomo i l
altro volto di gesù anne e daniel meurois

memorie di un esseno l altro volto di gesù vol 1 - Aug 01 2023

web questa insolita testimonianza non soltanto permette al lettore di partecipare alla vita quotidiana d una comunità essena
dei tempi di gesù ma getta nuova luce sugli

l altro volto di gesù memorie di un esseno amazon it libri - Dec 25 2022

web este es el segundo tomo de la epopeya iniciática escrita por daniel meurois para restituir íntegramente lo que fue

realmente la vida de jesús el cristo fruto de cuatro años de

memorie di un esseno vol 1 altro volto di gesù l libreria ibs - Mar 28 2023

web for each success next to the statement as skillfully as perception of this l altro volto di gesu memorie di un esseno tomo i can be taken as competently as picked to act

tadao ando couleurs de lumiere edition - Mar 17 2023

web tadao ando couleurs de lumiere edition miniature architecture pare richard amazon com tr kitap

tadao ando couleurs de lumia re pdf lou jazztimes - Jun 08 2022

web web web feb 25 2023 tadao ando couleurs de lumia re right here we have countless ebook tadao ando couleurs de lumia re and collections to check out we additionally provide variant types and plus type of the books to browse

tadao ando couleurs de lumière by richard pare - Jan 03 2022

web tadao ando couleurs de lumière by richard pare tadao ando couleurs de lumière by richard pare architecture de lumire et spiritualit des lieux de culte e x p o r e v u e m a g a z i n e r cit de voyage au japon en septembre octobre 2015 lumia z windows raw ranked sites siba unipv it albertinemeunier net

tadao ando couleurs de lumière by richard pare - Feb 04 2022

web tadao ando couleurs de lumière by richard pare architecture de lumire et spiritualit des lieux de culte april 29th 2020 l un des cas les plus évident semblent l église church of light de tadao ando deux murs de lumi re diff rents les verres sont rangés en bande de couleurs différentes albertinemeunier net

tadao ando couleurs de lumière by richard pare - Mar 05 2022

web february 25th 2020 architecte tadao ando une architecture de dualités où les opposés coexistent plein vide la colorimétrie et les variations de couleurs les membres du groupe de re siba unipv it april 17th 2020 de chirico giio 000005870 000006248 000003552 000007914 000008093 000015823 000001796 de pisis

tadao ando couleurs lumiere by pare richard abebooks - Jan 15 2023

web tadao ando couleurs de lumiere edition miniature couleurs de lumi re by pare richard and a great selection of related books art and collectibles available now at abebooks com

tadao ando couleurs de lumi re - Sep 11 2022

web use coupon m38 for aed 38 discount m10 for 10 discount on grocery dispatches will happen on monday after eid holidays

tadao ando couleurs de lumia re pdf copy - Apr 06 2022

web jun 26 2023 tadao ando couleurs de lumia re pdf if you ally craving such a referred tadao ando couleurs de lumia re pdf book that will manage to pay for you worth get the totally best seller from us currently from several preferred authors if you want to entertaining books lots of novels tale jokes and more fictions

tadao ando couleurs de lumière de richard pare livre decitre - Jul 21 2023

web dec 1 2000 tadao ando couleurs de lumière est le fruit de dix ans de collaboration entre le photographe anglais richard pare et l architecte japonais de renommée internationale tadao ando ce livre présente un aperçu unique de 27 de ses réalisations parmi lesquelles la maison kidosaki l église sur l eau ou l espace de

tadao ando couleurs de lumière by richard pare - Jul 09 2022

web tadao ando couleurs de lumière by richard pare tadao ando couleurs de lumière by richard pare architecture de lumire et spiritualit des lieux de culte les 38 meilleures images de shadows photographie d ombre lumia shabbat search engine

jewjewjew les 21 meilleures images de vitrail contemporain vitrail 13 meilleures images du

tadao ando couleurs de lumière edition miniature couleurs de - Oct 12 2022

web tadao ando couleurs de lumière edition miniature couleurs de lumière pare richard on amazon com au free shipping on eligible orders tadao

tadao ando l architecte de la lumière en 10 projets phares - Jun 20 2023

web jun 2 2023 tadao ando architecte autodidacte japonais et lauréat du prix pritzker 1995 travaille avec des matériaux singuliers que sont le béton lissé dont les trous restent apparents et la lumière

tadao ando couleurs de lumière pare richard - Dec 14 2022

web tadao ando couleurs de lumière di pare richard su abebooks it isbn 10 071489124x isbn 13 9780714891248 phaidon press ltd 2000 rilegato

tadao ando couleurs de lumière letubooks com - Feb 16 2023

web tadao ando couleurs de lumière richard pare phaidon france 2000 tadao ando couleurs de lumière est le fruit de dix ans de collaboration entre le photographe anglais richard pare et l architecte japonais de renommée internationale tadao ando ce livre présente un aperçu unique de 27 de ses réalisations parmi lesquelles

tadao ando couleurs de lumière librairie eyrolles - Apr 18 2023

web nov 27 2000 tadao ando couleurs de lumière est le fruit de dix ans de collaboration entre le photographe anglais richard pare et l architecte japonais de renommée internationale tadao ando ce livre présente un aperçu unique de 27 de ses réalisations parmi lesquelles la maison kidosaki l église sur l eau ou l espace de méditation de

tadao ando couleurs de lumia re pdf pdf - Aug 10 2022

web jun 13 2023 tadao ando couleurs de lumia re pdf is available in our book collection an online access to it is set as public so you can download it instantly our book servers spans in multiple countries allowing you to get the most less latency time to download any of our books like this one

tadao ando couleurs de lumière fnac - May 19 2023

web couleurs de lumière tadao ando couleurs de lumière richard pare tom heneghan aymeric lorenté phaidon des milliers de livres avec la livraison chez vous en 1 jour ou en magasin avec 5 de réduction

[tadao ando couleurs de lumia re cyberlab sutd edu sg](#) - Aug 22 2023

web tadao ando couleurs de lumiere est le fruit de dix ans de collaboration entre le photographe anglais richard pare et l architecte japonais de renommée internationale tadao ando

[tadao ando couleurs de lumia re pdf full pdf bukuclone ortax](#) - May 07 2022

web tadao ando couleurs de lumia re pdf introduction tadao ando couleurs de lumia re pdf full pdf title tadao ando couleurs de lumia re pdf full pdf bukuclone ortax org created date 9 2 2023 6 57 07 am

[pare tadao ando couleurs de lumière librairie renaud bray](#) - Nov 13 2022

web fruit de dix ans de collaboration entre le photographe anglais richard pare et l architecte japonais tadao ando cet ouvrage présente trente sept des constructions d ando achevées au cours des quinze dernières années kidosaki house tokyo 1986 church on the water hokkaido 1988 espace de méditation de l unesco paris 1995