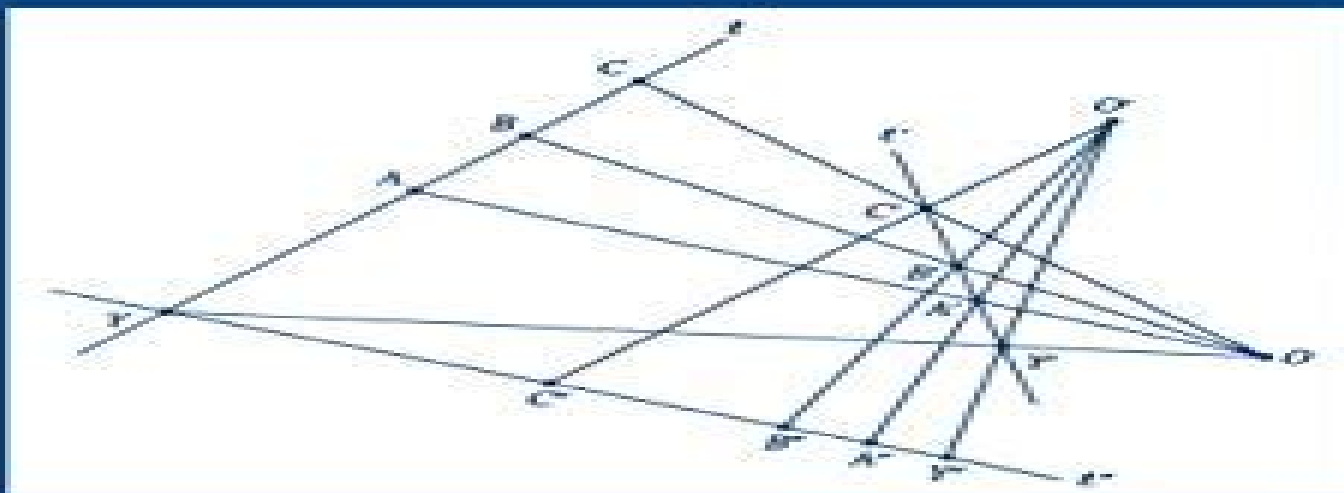


Lars Kadison
Matthias T. Kromann



Projective Geometry and Modern Algebra

Birkhäuser

Projective Geometry And Modern Algebra

D Kirk



Projective Geometry And Modern Algebra:

Embark on a breathtaking journey through nature and adventure with is mesmerizing ebook, Witness the Wonders in **Projective Geometry And Modern Algebra** . This immersive experience, available for download in a PDF format (Download in PDF: *), transports you to the heart of natural marvels and thrilling escapades. Download now and let the adventure begin!

https://staging.gilderlehrman.org/data/browse/index.jsp/natural_hazard_mitigation_recasting_disaster_policy_and_planning.pdf

Table of Contents Projective Geometry And Modern Algebra

1. Understanding the eBook Projective Geometry And Modern Algebra
 - The Rise of Digital Reading Projective Geometry And Modern Algebra
 - Advantages of eBooks Over Traditional Books
2. Identifying Projective Geometry And Modern Algebra
 - Exploring Different Genres
 - Considering Fiction vs. Non-Fiction
 - Determining Your Reading Goals
3. Choosing the Right eBook Platform
 - Popular eBook Platforms
 - Features to Look for in an Projective Geometry And Modern Algebra
 - User-Friendly Interface
4. Exploring eBook Recommendations from Projective Geometry And Modern Algebra
 - Personalized Recommendations
 - Projective Geometry And Modern Algebra User Reviews and Ratings
 - Projective Geometry And Modern Algebra and Bestseller Lists
5. Accessing Projective Geometry And Modern Algebra Free and Paid eBooks
 - Projective Geometry And Modern Algebra Public Domain eBooks
 - Projective Geometry And Modern Algebra eBook Subscription Services

- Projective Geometry And Modern Algebra Budget-Friendly Options
- 6. Navigating Projective Geometry And Modern Algebra eBook Formats
 - ePub, PDF, MOBI, and More
 - Projective Geometry And Modern Algebra Compatibility with Devices
 - Projective Geometry And Modern Algebra Enhanced eBook Features
- 7. Enhancing Your Reading Experience
 - Adjustable Fonts and Text Sizes of Projective Geometry And Modern Algebra
 - Highlighting and Note-Taking Projective Geometry And Modern Algebra
 - Interactive Elements Projective Geometry And Modern Algebra
- 8. Staying Engaged with Projective Geometry And Modern Algebra
 - Joining Online Reading Communities
 - Participating in Virtual Book Clubs
 - Following Authors and Publishers Projective Geometry And Modern Algebra
- 9. Balancing eBooks and Physical Books Projective Geometry And Modern Algebra
 - Benefits of a Digital Library
 - Creating a Diverse Reading Collection Projective Geometry And Modern Algebra
- 10. Overcoming Reading Challenges
 - Dealing with Digital Eye Strain
 - Minimizing Distractions
 - Managing Screen Time
- 11. Cultivating a Reading Routine Projective Geometry And Modern Algebra
 - Setting Reading Goals Projective Geometry And Modern Algebra
 - Carving Out Dedicated Reading Time
- 12. Sourcing Reliable Information of Projective Geometry And Modern Algebra
 - Fact-Checking eBook Content of Projective Geometry And Modern Algebra
 - Distinguishing Credible Sources
- 13. Promoting Lifelong Learning
 - Utilizing eBooks for Skill Development
 - Exploring Educational eBooks
- 14. Embracing eBook Trends

- Integration of Multimedia Elements
- Interactive and Gamified eBooks

Projective Geometry And Modern Algebra Introduction

Projective Geometry And Modern Algebra Offers over 60,000 free eBooks, including many classics that are in the public domain. Open Library: Provides access to over 1 million free eBooks, including classic literature and contemporary works. Projective Geometry And Modern Algebra Offers a vast collection of books, some of which are available for free as PDF downloads, particularly older books in the public domain. Projective Geometry And Modern Algebra : This website hosts a vast collection of scientific articles, books, and textbooks. While it operates in a legal gray area due to copyright issues, its a popular resource for finding various publications. Internet Archive for Projective Geometry And Modern Algebra : Has an extensive collection of digital content, including books, articles, videos, and more. It has a massive library of free downloadable books. Free-eBooks Projective Geometry And Modern Algebra Offers a diverse range of free eBooks across various genres. Projective Geometry And Modern Algebra Focuses mainly on educational books, textbooks, and business books. It offers free PDF downloads for educational purposes. Projective Geometry And Modern Algebra Provides a large selection of free eBooks in different genres, which are available for download in various formats, including PDF. Finding specific Projective Geometry And Modern Algebra, especially related to Projective Geometry And Modern Algebra, might be challenging as theyre often artistic creations rather than practical blueprints. However, you can explore the following steps to search for or create your own Online Searches: Look for websites, forums, or blogs dedicated to Projective Geometry And Modern Algebra, Sometimes enthusiasts share their designs or concepts in PDF format. Books and Magazines Some Projective Geometry And Modern Algebra books or magazines might include. Look for these in online stores or libraries. Remember that while Projective Geometry And Modern Algebra, sharing copyrighted material without permission is not legal. Always ensure youre either creating your own or obtaining them from legitimate sources that allow sharing and downloading. Library Check if your local library offers eBook lending services. Many libraries have digital catalogs where you can borrow Projective Geometry And Modern Algebra eBooks for free, including popular titles. Online Retailers: Websites like Amazon, Google Books, or Apple Books often sell eBooks. Sometimes, authors or publishers offer promotions or free periods for certain books. Authors Website Occasionally, authors provide excerpts or short stories for free on their websites. While this might not be the Projective Geometry And Modern Algebra full book , it can give you a taste of the authors writing style. Subscription Services Platforms like Kindle Unlimited or Scribd offer subscription-based access to a wide range of Projective Geometry And Modern Algebra eBooks, including some popular titles.

FAQs About Projective Geometry And Modern Algebra Books

How do I know which eBook platform is the best for me? Finding the best eBook platform depends on your reading preferences and device compatibility. Research different platforms, read user reviews, and explore their features before making a choice. Are free eBooks of good quality? Yes, many reputable platforms offer high-quality free eBooks, including classics and public domain works. However, make sure to verify the source to ensure the eBook credibility. Can I read eBooks without an eReader? Absolutely! Most eBook platforms offer webbased readers or mobile apps that allow you to read eBooks on your computer, tablet, or smartphone. How do I avoid digital eye strain while reading eBooks? To prevent digital eye strain, take regular breaks, adjust the font size and background color, and ensure proper lighting while reading eBooks. What the advantage of interactive eBooks? Interactive eBooks incorporate multimedia elements, quizzes, and activities, enhancing the reader engagement and providing a more immersive learning experience. Projective Geometry And Modern Algebra is one of the best book in our library for free trial. We provide copy of Projective Geometry And Modern Algebra in digital format, so the resources that you find are reliable. There are also many Ebooks of related with Projective Geometry And Modern Algebra. Where to download Projective Geometry And Modern Algebra online for free? Are you looking for Projective Geometry And Modern Algebra PDF? This is definitely going to save you time and cash in something you should think about. If you trying to find then search around for online. Without a doubt there are numerous these available and many of them have the freedom. However without doubt you receive whatever you purchase. An alternate way to get ideas is always to check another Projective Geometry And Modern Algebra. This method for see exactly what may be included and adopt these ideas to your book. This site will almost certainly help you save time and effort, money and stress. If you are looking for free books then you really should consider finding to assist you try this. Several of Projective Geometry And Modern Algebra are for sale to free while some are payable. If you arent sure if the books you would like to download works with for usage along with your computer, it is possible to download free trials. The free guides make it easy for someone to free access online library for download books to your device. You can get free download on free trial for lots of books categories. Our library is the biggest of these that have literally hundreds of thousands of different products categories represented. You will also see that there are specific sites catered to different product types or categories, brands or niches related with Projective Geometry And Modern Algebra. So depending on what exactly you are searching, you will be able to choose e books to suit your own need. Need to access completely for Campbell Biology Seventh Edition book? Access Ebook without any digging. And by having access to our ebook online or by storing it on your computer, you have convenient answers with Projective Geometry And Modern Algebra To get started finding Projective Geometry And Modern Algebra, you are right to find our website which has a comprehensive collection of books online. Our library is the biggest of these that have literally hundreds of thousands of different products represented. You will also see that there are specific sites catered

to different categories or niches related with Projective Geometry And Modern Algebra So depending on what exactly you are searching, you will be able to choose ebook to suit your own need. Thank you for reading Projective Geometry And Modern Algebra. Maybe you have knowledge that, people have search numerous times for their favorite readings like this Projective Geometry And Modern Algebra, but end up in harmful downloads. Rather than reading a good book with a cup of coffee in the afternoon, instead they juggled with some harmful bugs inside their laptop. Projective Geometry And Modern Algebra is available in our book collection an online access to it is set as public so you can download it instantly. Our digital library spans in multiple locations, allowing you to get the most less latency time to download any of our books like this one. Merely said, Projective Geometry And Modern Algebra is universally compatible with any devices to read.

Find Projective Geometry And Modern Algebra :

[natural hazard mitigation recasting disaster policy and planning](#)

[national geographics baja - mexicos cactus forest](#)

nasty blues a celebration of crude and lewd songs

~~natural architecture 35 earth sheltered house designs~~

[national monuments the first of series](#)

[national lifeguard manual ymca lifeguard series](#)

~~nashfords new almoner~~

native american games and stories

nascars 50 greatest races special market edition

~~nationalism and exclusion of migrants~~

~~natef standards lab manual transmission and drive lines 2005~~

[nat i lissabon](#)

[natchez flame](#)

native people of southern new england 1500-1650

~~natural creation or natural selection~~

Projective Geometry And Modern Algebra :

owners handbook - frelander (2001).pdf This book contains instructions for operating and maintaining the softback and hardback, as well as for removing and refitting the roof bars (if fitted). Frelander Owner's Handbook - Eng - TOPIx Full

operating instructions for any audio equipment fitted as standard to your vehicle, are contained in the 'In-Car Entertainment' book in the vehicle ... Freelander 04MY Owner's Handbook - 2nd Edition - Enx - TOPIx Read the instructions below and the advice contained under the heading 'SEAT BELT. SAFETY', page 40. Fastening the seat belts. Inertia reel belts are fitted to ... User manual Land Rover Freelander (2000) (English Manual. View the manual for the Land Rover Freelander (2000) here, for free. This manual comes under the category cars and has been rated by 27 people with ... Land Rover Freelander - User's manuals - Manuals freelande 2003 owners manual.pdf. OWNER'S HANDBOOK Publication Part No ... freelande 2007 owners manual.pdf. OWNER'S HANDBOOK Publication Part No. LRL 10 02 ... coa-motorized-owners-manual.pdf This owner's manual is designed as a Quick Reference guide for the operation and care of your new purchase. For more complete instructions regarding safety, ... Land Rover iGuide Online Land Rover iGuide Online. Please select your vehicle and model year below to access the owner information. Get Started. iGuide contains the very latest ... Coachmen Owners Manuals ELECTRONIC, INTERACTIVE OWNER'S MANUALS. Visit our dynamic online manual to enhance your ownership experience. This interactive option provides incredible ease ... Coachmen RV Freelander Owner's Manual View and Download Coachmen RV Freelander owner's manual online. class c. Freelander motorhomes pdf manual download. Beginning & Intermediate Algebra (5th Edition) NOTE:This is a standalone book. Elayn Martin-Gay's developmental math textbooks and video resources are motivated by her firm belief that every student can ... Beginning and Intermediate Algebra 5th Edition Beginning and Intermediate Algebra 5th Edition. 4.1 4.1 out of 5 stars 6 Reviews ... Elayn Martin-Gay. 4.3 out of 5 stars 561. Hardcover. 64 offers from \$14.07. Beginning & Intermediate Algebra (5th Edition) Beginning & Intermediate Algebra (5th Edition) by Martin-Gay, Elayn - ISBN 10: 0321785126 - ISBN 13: 9780321785121 - Pearson - 2012 - Hardcover. Martin-Gay, Beginning & Intermediate Algebra Beginning & Intermediate Algebra, 5th Edition. Elayn Martin-Gay, University ... Elayn Martin-Gay's developmental math textbooks and video resources are ... Beginning and Intermediate Algebra | Buy | 9780321785121 Elayn Martin-Gay. Every textbook comes with a 21-day "Any Reason" guarantee. Published by Pearson. Beginning and Intermediate Algebra 5th edition solutions ... beginning and intermediate algebra 5th edition Algebra. Publication Name. Beginning & Intermediate Algebra. Author. Elayn Martin-Gay. Level. Intermediate. Category. Books & Magazines > Textbooks, Education ... Beginning and Intermediate Algebra | Rent | 9780321785862 Rent □Beginning and Intermediate Algebra 5th edition (978-0321785862) today, or search our site for other □textbooks by Elayn Martin-Gay. beginning and intermediate algebra 5th edition 325114606480. Publication Name. Beginning & Intermediate Algebra. Subject Area. Algebra. Type. Workbook. Author. Elayn Martin-Gay. Level. Intermediate. Category. Beginning and Intermediate Algebra Fifth Edition by Elayn ... Beginning and Intermediate Algebra Fifth Edition (5th Edition). by Elayn Martin-Gay. Hardcover, 1032 Pages, Published 2012. ISBN-10: 0-321-78512-6 / 0321785126 Beginning & Intermediate Algebra, 5th edition (STRN0011) SKU: STRN0011 Author: Elayn Martin-Gay Publication Date: 2013 by Pearson Education, Inc. Product Type: Book Product ISBN:

9780321785121 Reviews I love the Voyager trike kit, and it rides like a dream. It takes a minute to get used to not leaning into turns, but now I can go faster thru turns than when I ... What do you like about your Voyager Trike? Dec 20, 2017 — It was a nice experience. I chose the Voyager, mostly for the ability to remove it and still ride 2 wheels if I so desired. That works out real ... MTC Voyager Trike Kit - Are They any Good Jul 3, 2019 — I really wanted to like it because it was a lot cheaper than doing a trike conversion. But in the end, I ended up going with a full trike ... The voyager trike kit - Honda Goldwing Forum Sep 27, 2017 — It is a trike and it is going to ride like a trike. As for smoothness, when you add tires, you add more surface to touch the road so you are ... Voyager Trike kit Dec 9, 2019 — They are outrigger kits as you still maintain the OEM rear assembly. Unless properly set up, as in preload, the ride can be very disappointing. Voyager trike kit • Product Reviews Jun 20, 2015 — Re: Voyager trike kit If you can't afford a true trike conversion then, by all means whatever it takes to keep riding! Trigg would be my choice ... Voyager Trike Kit Experience - Page 4 Jun 18, 2009 — Hacked, Conversions and Trailering - Voyager Trike Kit Experience - Hey guys...wife has been learning to ride or trying to learn to ride and ... Anyone else here riding with a Voyager trike kit? Jun 24, 2010 — My brother in law is a parapalegic and we put a voyager kit on his honda 1300 VTX. He is very happy with the way it handles. One thing we did ...