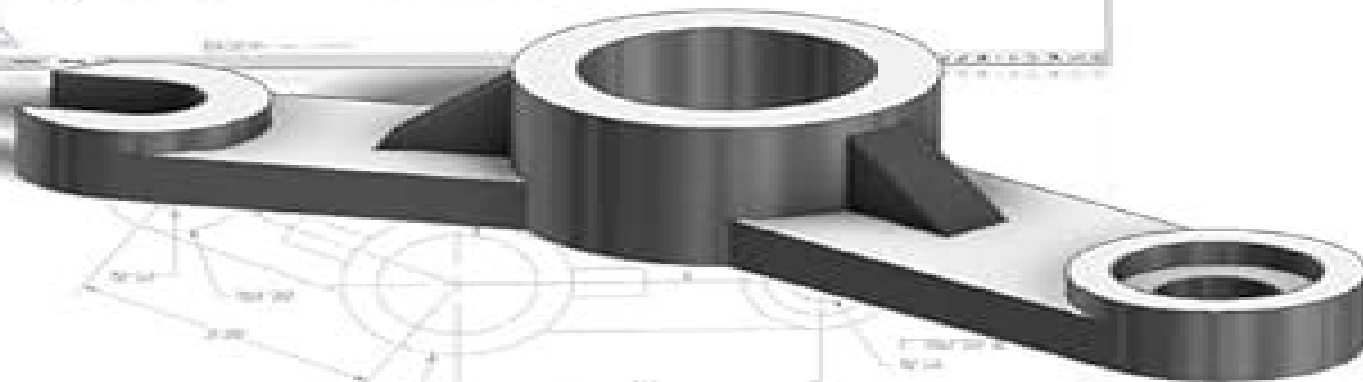
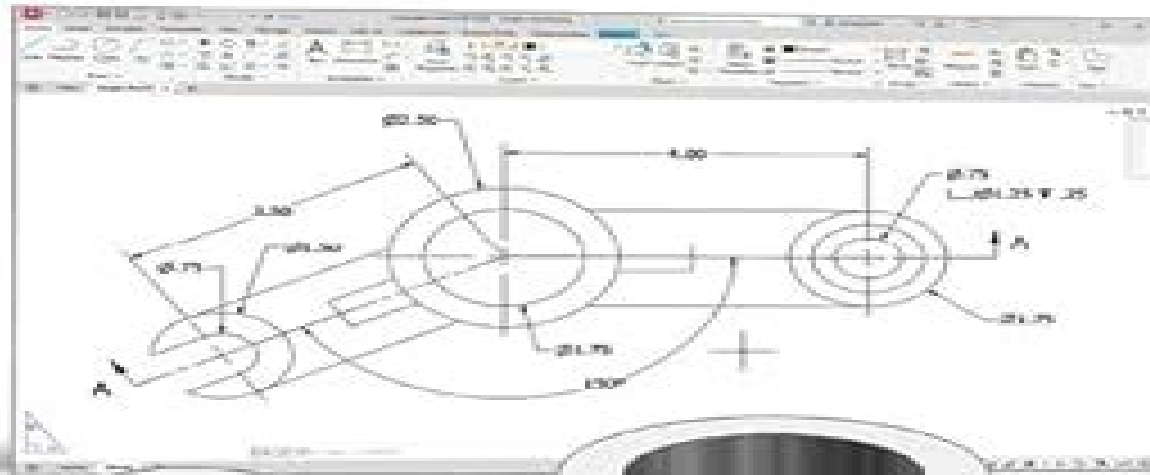


Principles and Practice

An Integrated Approach to
Engineering Graphics and AutoCAD 2025



Randy H. Shih

Practice Of Engineering Management A New Approach

**Erwin Hepperle, Jenny Paulsson, Vida
Maliene, Reinfried
Mansberger, Armands Auzins, Jolanta
Valciukiene**

Practice Of Engineering Management A New Approach:

The Practice of Engineering Management Patrick O'Connor,1994-04-26 He offers fresh and often controversial insights into a wide range of current engineering management issues in design development production and use always maintaining the importance of leadership and development of people as individuals and as teams

The Practice of Engineering Management Patrick D.T. O'Connor,1994

Education and society: New approaches for new challenges Genaro Zavala,Jorge Membrillo-Hernández,Andres Eduardo Gutierrez Rodriguez,2023-11-02

Methods and Concepts of Land Management: Diversity, Changes and New Approaches Erwin Hepperle,Jenny Paulsson,Vida Maliene,Reinfried Mansberger,Armands Auzins,Jolanta Valciukiene,2020-10-08 The peer reviewed papers in this new volume of the European Academy of Land Use and Development EALD inform about investigations on the common subject land management due to the interdisciplinary nature of the EALD from very different views The spectrum of contributions covers regulations governance and the implementation of land management as well as the assessment of relevant data supporting these tasks Various approaches methods systems and understanding of the government s role in the different countries of Europe are highlighted Committed to sustainability the articles give evidence that Europe provides an experimental field for land management issues and they enable to increase knowledge of new practices to verify them and to learn from each other

Journal of Engineering Education ,1999

The AMA Handbook of Project Management Paul C. Dinsmore,Jeannette Cabanis-Brewin,2011 Completely revised and fully up to date this is the essential book on the field of project management

Management Engineering, the Journal of Production ,1922

New Approaches to Economic Challenges A Systemic Recovery OECD,2022-10-26 New economic thinking and acting through a systemic approach could outline policy alternatives to tackle the global scale systemic challenges of financial economic social and environmental emergencies and help steer our recovery out of the current crisis A systemic recovery requires an economic approach that balances several factors markets and states efficiency and resilience growth and sustainability national and global stability short term emergency measures and long term structural change

Aerospace ,1995

Management Engineering Leon Pratt Alford,1922

Project Management for European, Asian and African Practitioners—Theory and Technique Examples in Selected Professions Narasimha Rao Vajjhala,Kenneth David Strang,2025-01-21 This book bridges the gap between theory and practice offering a rich exploration of project management practices across Europe Asia and Africa This book presents a collection of cutting edge research and case studies that illustrate the application of project management principles in various industries and regions Through contributions from global scholars and practitioners this book covers a wide range of topics from the rise of hybrid project management methodologies to the challenges of managing public projects to the role of artificial intelligence in multicultural leadership Key themes include decision making critical thinking resilience in collaborative R D and project management in emerging markets such as Africa and Asia s tiger economies This

book is designed for project managers researchers and professionals who want to understand the unique challenges and opportunities of managing projects in diverse cultural and economic contexts By examining case studies and research from around the globe readers will gain valuable insights into how to apply project management techniques in real world scenarios

Evolving Toolbox for Complex Project Management Alex Gorod, Leonie Hallo, Vernon Ireland, Indra Gunawan, 2019-10-30 This book enhances learning about complex project management principles and practices through the introduction and discussion of a portfolio of tools presented as an evolving toolbox Throughout the book industry practitioners examine the toolsets that are part of the toolbox to develop a broader understanding of complex project management challenges and the available tools to address them This approach establishes a dynamic structured platform for a comprehensive analysis and assessment of the modern rapidly changing multifaceted business environment to teach the next generation of project managers to successfully cope with the ever increasing complexity of the 21st century

Project Management in New Product Development Bruce T. Barkley, 2007-11-23 Turn Innovative Ideas into Products and Services and Manage and Control Them Using Project Management Tools The first book to integrate project management and product development Project Management in New Product Development shows you how to manage the translation of ideas into new products and services and get them to market cheaper better and faster using advanced project management tools and techniques Packed with detailed case studies and illustrations this unique book explains how to move new products and services quickly from concept to product to market as a managed and seamless process free of problems and delays This project tool also shows how to ensure that bad products are stopped at gateway points before they become product and project failures Project Management in New Product Development features The first integrated treatment of project management and new product development designed for modern globally oriented firms Numerous case studies covering software technology electronics construction telecommunications military and aerospace 150 informative tables figures and graphics

Proceedings of 1995 IEEE Annual International Engineering Management Conference, 28-30 June 1995, Singapore Say Wei Foo, 1995

Research Management, 1985 Engineering Management B.S. Dhillon, 1987-10-31

Industrial Management John R. Dunlap, 1896 *Manufacturing Industries*, 1927 **Industrial Management**, 1910 Railway Engineering and Maintenance of Way, 1915

Right here, we have countless book **Practice Of Engineering Management A New Approach** and collections to check out. We additionally manage to pay for variant types and also type of the books to browse. The enjoyable book, fiction, history, novel, scientific research, as well as various further sorts of books are readily easily reached here.

As this Practice Of Engineering Management A New Approach, it ends going on living thing one of the favored books Practice Of Engineering Management A New Approach collections that we have. This is why you remain in the best website to look the amazing ebook to have.

<https://staging.gilderlehrman.org/results/detail/Documents/mansfield%20principles%20of%20micro%20study%20guide.pdf>

Table of Contents Practice Of Engineering Management A New Approach

1. Understanding the eBook Practice Of Engineering Management A New Approach
 - The Rise of Digital Reading Practice Of Engineering Management A New Approach
 - Advantages of eBooks Over Traditional Books
2. Identifying Practice Of Engineering Management A New Approach
 - Exploring Different Genres
 - Considering Fiction vs. Non-Fiction
 - Determining Your Reading Goals
3. Choosing the Right eBook Platform
 - Popular eBook Platforms
 - Features to Look for in an Practice Of Engineering Management A New Approach
 - User-Friendly Interface
4. Exploring eBook Recommendations from Practice Of Engineering Management A New Approach
 - Personalized Recommendations
 - Practice Of Engineering Management A New Approach User Reviews and Ratings
 - Practice Of Engineering Management A New Approach and Bestseller Lists
5. Accessing Practice Of Engineering Management A New Approach Free and Paid eBooks

- Practice Of Engineering Management A New Approach Public Domain eBooks
 - Practice Of Engineering Management A New Approach eBook Subscription Services
 - Practice Of Engineering Management A New Approach Budget-Friendly Options
6. Navigating Practice Of Engineering Management A New Approach eBook Formats
 - ePub, PDF, MOBI, and More
 - Practice Of Engineering Management A New Approach Compatibility with Devices
 - Practice Of Engineering Management A New Approach Enhanced eBook Features
 7. Enhancing Your Reading Experience
 - Adjustable Fonts and Text Sizes of Practice Of Engineering Management A New Approach
 - Highlighting and Note-Taking Practice Of Engineering Management A New Approach
 - Interactive Elements Practice Of Engineering Management A New Approach
 8. Staying Engaged with Practice Of Engineering Management A New Approach
 - Joining Online Reading Communities
 - Participating in Virtual Book Clubs
 - Following Authors and Publishers Practice Of Engineering Management A New Approach
 9. Balancing eBooks and Physical Books Practice Of Engineering Management A New Approach
 - Benefits of a Digital Library
 - Creating a Diverse Reading Collection Practice Of Engineering Management A New Approach
 10. Overcoming Reading Challenges
 - Dealing with Digital Eye Strain
 - Minimizing Distractions
 - Managing Screen Time
 11. Cultivating a Reading Routine Practice Of Engineering Management A New Approach
 - Setting Reading Goals Practice Of Engineering Management A New Approach
 - Carving Out Dedicated Reading Time
 12. Sourcing Reliable Information of Practice Of Engineering Management A New Approach
 - Fact-Checking eBook Content of Practice Of Engineering Management A New Approach
 - Distinguishing Credible Sources
 13. Promoting Lifelong Learning
 - Utilizing eBooks for Skill Development

- Exploring Educational eBooks
14. Embracing eBook Trends
- Integration of Multimedia Elements
 - Interactive and Gamified eBooks

Practice Of Engineering Management A New Approach Introduction

In the digital age, access to information has become easier than ever before. The ability to download Practice Of Engineering Management A New Approach has revolutionized the way we consume written content. Whether you are a student looking for course material, an avid reader searching for your next favorite book, or a professional seeking research papers, the option to download Practice Of Engineering Management A New Approach has opened up a world of possibilities.

Downloading Practice Of Engineering Management A New Approach provides numerous advantages over physical copies of books and documents. Firstly, it is incredibly convenient. Gone are the days of carrying around heavy textbooks or bulky folders filled with papers. With the click of a button, you can gain immediate access to valuable resources on any device. This convenience allows for efficient studying, researching, and reading on the go. Moreover, the cost-effective nature of downloading Practice Of Engineering Management A New Approach has democratized knowledge. Traditional books and academic journals can be expensive, making it difficult for individuals with limited financial resources to access information. By offering free PDF downloads, publishers and authors are enabling a wider audience to benefit from their work. This inclusivity promotes equal opportunities for learning and personal growth. There are numerous websites and platforms where individuals can download Practice Of Engineering Management A New Approach. These websites range from academic databases offering research papers and journals to online libraries with an expansive collection of books from various genres. Many authors and publishers also upload their work to specific websites, granting readers access to their content without any charge. These platforms not only provide access to existing literature but also serve as an excellent platform for undiscovered authors to share their work with the world. However, it is essential to be cautious while downloading Practice Of Engineering Management A New Approach. Some websites may offer pirated or illegally obtained copies of copyrighted material. Engaging in such activities not only violates copyright laws but also undermines the efforts of authors, publishers, and researchers. To ensure ethical downloading, it is advisable to utilize reputable websites that prioritize the legal distribution of content. When downloading Practice Of Engineering Management A New Approach, users should also consider the potential security risks associated with online platforms. Malicious actors may exploit vulnerabilities in unprotected websites to distribute malware or steal personal information. To protect themselves, individuals should ensure their devices have reliable antivirus software installed and validate the legitimacy of the websites they are downloading from.

In conclusion, the ability to download Practice Of Engineering Management A New Approach has transformed the way we access information. With the convenience, cost-effectiveness, and accessibility it offers, free PDF downloads have become a popular choice for students, researchers, and book lovers worldwide. However, it is crucial to engage in ethical downloading practices and prioritize personal security when utilizing online platforms. By doing so, individuals can make the most of the vast array of free PDF resources available and embark on a journey of continuous learning and intellectual growth.

FAQs About Practice Of Engineering Management A New Approach Books

How do I know which eBook platform is the best for me? Finding the best eBook platform depends on your reading preferences and device compatibility. Research different platforms, read user reviews, and explore their features before making a choice. Are free eBooks of good quality? Yes, many reputable platforms offer high-quality free eBooks, including classics and public domain works. However, make sure to verify the source to ensure the eBook credibility. Can I read eBooks without an eReader? Absolutely! Most eBook platforms offer webbased readers or mobile apps that allow you to read eBooks on your computer, tablet, or smartphone. How do I avoid digital eye strain while reading eBooks? To prevent digital eye strain, take regular breaks, adjust the font size and background color, and ensure proper lighting while reading eBooks. What the advantage of interactive eBooks? Interactive eBooks incorporate multimedia elements, quizzes, and activities, enhancing the reader engagement and providing a more immersive learning experience. Practice Of Engineering Management A New Approach is one of the best book in our library for free trial. We provide copy of Practice Of Engineering Management A New Approach in digital format, so the resources that you find are reliable. There are also many Ebooks of related with Practice Of Engineering Management A New Approach. Where to download Practice Of Engineering Management A New Approach online for free? Are you looking for Practice Of Engineering Management A New Approach PDF? This is definitely going to save you time and cash in something you should think about. If you trying to find then search around for online. Without a doubt there are numerous these available and many of them have the freedom. However without doubt you receive whatever you purchase. An alternate way to get ideas is always to check another Practice Of Engineering Management A New Approach. This method for see exactly what may be included and adopt these ideas to your book. This site will almost certainly help you save time and effort, money and stress. If you are looking for free books then you really should consider finding to assist you try this. Several of Practice Of Engineering Management A New Approach are for sale to free while some are payable. If you arent sure if the books you would like to download works with for usage along with your computer, it is possible to download free trials. The free guides make it easy for someone to free access online library for download books to your device. You can get free download on free trial for lots of books categories. Our library is the biggest

of these that have literally hundreds of thousands of different products categories represented. You will also see that there are specific sites catered to different product types or categories, brands or niches related with Practice Of Engineering Management A New Approach. So depending on what exactly you are searching, you will be able to choose e books to suit your own need. Need to access completely for Campbell Biology Seventh Edition book? Access Ebook without any digging. And by having access to our ebook online or by storing it on your computer, you have convenient answers with Practice Of Engineering Management A New Approach To get started finding Practice Of Engineering Management A New Approach, you are right to find our website which has a comprehensive collection of books online. Our library is the biggest of these that have literally hundreds of thousands of different products represented. You will also see that there are specific sites catered to different categories or niches related with Practice Of Engineering Management A New Approach So depending on what exactly you are searching, you will be able to choose ebook to suit your own need. Thank you for reading Practice Of Engineering Management A New Approach. Maybe you have knowledge that, people have search numerous times for their favorite readings like this Practice Of Engineering Management A New Approach, but end up in harmful downloads. Rather than reading a good book with a cup of coffee in the afternoon, instead they juggled with some harmful bugs inside their laptop. Practice Of Engineering Management A New Approach is available in our book collection an online access to it is set as public so you can download it instantly. Our digital library spans in multiple locations, allowing you to get the most less latency time to download any of our books like this one. Merely said, Practice Of Engineering Management A New Approach is universally compatible with any devices to read.

Find Practice Of Engineering Management A New Approach :

[mansfield principles of micro study guide](#)

managing people including yourself for project success

~~mansa musa the golden king of ancient mali~~

managing the factory a survey of general managers

manantiales en el desierto manantiales en el desierto

managing effectively a handbook for first-time managers

[mandate to govern a handbook for the next australian government](#)

managing the team a guide to successful employee involvement

manipulative math addition and subtraction mathematics series

mandie and jonathans predicament

[manga mania shoujo how to draw the charming and romantic characters of japanese comics](#)

manila man in los angeles

managing global innovation uncovering the secrets of future competitiveness

manners to love by for young couples

managing information technology in a global economy

Practice Of Engineering Management A New Approach :

serious games what they are types 5 examples viteco e - Jun 14 2023

web may 11 2023 what are serious games they are not aimed at mere entertainment but they are virtual games designed to train educate or teach something in practice they exploit the ludic component to facilitate education they are in a nutshell games intended to educate through entertainment

a serious game wikipedia - Jan 29 2022

web a serious game swedish den allvarsamma leken is a 2016 swedish romantic drama film directed by pernilla august based on the novel the serious game by hjalmar söderberg 1 plot

introduction springerlink - Mar 31 2022

web aug 26 2016 abstract this chapter introduces the basic subject of this book serious games besides a definition of the term serious game related fundamental concepts and terms such as gamification gaming and playing or game mechanics are detailed reasons for using serious games and for delving into this subject are discussed

game changers 16 serious games that transformed the world - Dec 08 2022

web jun 3 2023 16 serious games that changed the world 1 microsoft flight simulator 1982 flight simulators are the grandfathers of serious games it seems only right to mention the most successful commercial flight simulator of them all microsoft flight simulator was created over four decades ago in 1982

serious games game design development 2021 - Jul 03 2022

web julia lo iacono david michael describes that there are only two types of people who understand the definition of serious games the game developers who build games and the hardcore gamers who play them both types take their games seriously

16 the serious game cambridge university press assessment - Jan 09 2023

web feb 10 2021 the serious game egil törnqvist book serious game online publication 10 february 2021 chapter doi doi org 10 1017 9789048523672 018

pdf an overview of serious games researchgate - Nov 07 2022

web oct 15 2014 serious games are growing rapidly as a gaming industry as well as a field of academic research there are many surveys in the field of digital serious games however most surveys are

serious games guide everything you need to know in 2021 - Mar 11 2023

web serious games are games or game like systems built with game technology and design principles for a purpose other than pure entertainment serious games have added intrinsic value embedded within its in game mechanics narrative and design this is what sets them apart from commercial entertainment video games

serious game wikipedia - Aug 16 2023

web a serious game or applied game is a game designed for a primary purpose other than pure entertainment the serious adjective is generally prepended to refer to video games used by industries like defense education scientific exploration health care emergency management city planning engineering politics and art 2

serious game by hjalmar söderberg goodreads - Feb 27 2022

web oct 27 2015 so the serious game was in my literature textbook described as possibly the most beautiful love story written in the swedish language this is not entirely incorrect but it probably says something about swedish literature basic story boy loves girl girl marries other man boy marries other woman boy and girl meet again boy and girl

[pdf the serious game what educational benefits](#) - May 13 2023

web dec 31 2012 the serious game was investigated using an american example virtual university we first highlight the main features of this media namely that it can be used as a teaching tool a means of

the serious game hjalmar söderberg complete review - Apr 12 2023

web the complete review s review the serious game focusses on arvid stjärnblom first encountered in 1897 when he is twenty two years old the novel follows his life for the next decade and a half but overshadowing it almost always is the slightly younger lydia stille the sometime object of his passion

serious games in future skills development a systematic review - Aug 04 2022

web aug 8 2022 serious games offer a magnificent potential for developing future skills along with the 21st century learning ecosystem a close nexus between the design and effectiveness of serious games is still argued in this regard the current study provides a systematic literature review on serious game design approaches with a special focus on

the top 10 serious games of all time linkedin - Sep 05 2022

web sep 5 2019 minecraft perhaps the most well known serious game is minecraft which was one of the first serious games to show an explicit link between gaming and education minecraft is a sandbox

serious games examples that explain all you need to know - Feb 10 2023

web mar 6 2017 what is a serious game serious games are games whose primary objective is not fun or entertainment rather learning or practicing a skill its use has grown particularly in such sectors as education defense aeronautics science or health

[16 the serious game researchgate](#) - Jun 02 2022

web feb 1 2021 though ingmar bergman became famous as a filmmaker his roots and to some extent his heart were in the theater he directed more than one hundred plays in his career and the serious game takes

[the serious game film wikipedia](#) - Dec 28 2021

web the serious game swedish den allvarsamma leken is a 1945 swedish period drama film directed by rune carlsten and starring viveca lindfors john ekman and olof widgren 1 it was shot at the centrumateljéerna studios in stockholm the film s sets were designed by the art director bertil duroj

[the serious game what educational benefits sciencedirect](#) - Jul 15 2023

web jan 1 2012 the serious game was investigated using an american example virtual university we first highlight the main features of this media namely that it can be used as a teaching tool a means of entertainment and as a technology of

the serious game wikipedia - Oct 06 2022

web the serious game swedish den allvarsamma leken is a 1912 novel by hjalmar söderberg it tells the story of a man and a woman who fall in love when young and remain in love but stay separated and marry others

serious games - May 01 2022

web the serious games typology project this website s aim is to build a global catalogue of serious games while facilitating the study of the evolution of game based learning and other areas that are still to be explored if you are the developer of a serious game or if you have used one please join our community and share your knowledge about it

excel vba a step by step tutorial for beginners to learn excel vba - Nov 21 2022

web sep 30 2018 buy excel vba a step by step tutorial for beginners to learn excel vba programming from scratch on amazon com free shipping on qualified orders

[getting started with vba in office microsoft learn](#) - Apr 26 2023

web jun 7 2022 the great power of vba programming in office is that nearly every operation that you can perform with a mouse keyboard or a dialog box can also be done by using vba further if it can be done once with vba it can be done just as easily a hundred times

vba tutorial 1 the ultimate guide for beginners excel macro - Jun 28 2023

web jan 21 2018 by paul kelly beginning vba membership tutorial tutorials 161 comments welcome to part one of the ultimate vba tutorial for beginners if you are brand new to vba then make sure that you have read the post how to create a macro from scratch in excel so that your environment is set up correctly to run macros

[vba tutorial for beginners how to use vba in excel educba](#) - Mar 26 2023

web this is a guide to excel vba tutorial for beginners here we discuss the steps to enable the developer tab and learn how to

record macros and also learn to make sample macros in excel vba along with practical examples and downloadable excel template

excel vba a step by step tutorial for beginners to learn excel vba - Feb 22 2023

web bir peter bradley eseri olan excel vba a step by step tutorial for beginners to learn excel vba programming from scratch e kitap olarak en cazip fiyat ile d r de keşfetmek için hemen tıklayınız

microsoft excel vba for beginners learn vba step by step - May 28 2023

web description welcome to the excel vba programming course for beginners if you need to learn how to program vba for your job or for yourself this course was designed for you you ll start with the very basics of understanding what vba is and what it does you ll learn how to install vba and record your first macro

excel vba tutorial for beginners a step by step guide - May 16 2022

web must know excel vba macros for productivity mastering excel vba user defined functions how to automate excel tasks with vba creating custom excel vba forms and

excel vba tutorial for beginners learn in 3 days guru99 - Oct 21 2022

web jul 29 2023 this excel vba tutorial for beginners covers in depth lessons to learn vba excel and vba basics this visual basic for applications excel tutorial covers all the basics as well as advanced concepts of vba for beginners what is vba vba stands for visual basic for applications

learn vba for excel automate excel - Aug 19 2022

web online tutorial for beginners automateexcel com learn vba tutorial course contents chapter 1 subs sheets ranges and the basics loops chapter 4 events chapter 7 chapter 2 variables chapter 5 advanced cells rows columns and sheets chapter 8 application settings speed up your code

excel vba a step by step tutorial for beginners to learn - Dec 23 2022

web excel vba a step by step tutorial for beginners to learn excel vba programming from scratch by peter bradley ebook scribd enjoy millions of ebooks audiobooks magazines and more with a free trial only 11 99 month after trial

vba tutorial - Mar 14 2022

web quick guide vba stands for v isual b asic for a pplications an event driven programming language from microsoft it is now predominantly used with microsoft office applications such as msexcel ms word and ms access this tutorial teaches the basics of vba each of the sections contain related topics with simple and useful examples

mastering ms excel vba for beginners udemy - Jun 16 2022

web learning ms excel vba is a life skill that will not be wasted there will always be an opportunity to use it this course consists of over 50 easy to follow videos that equates to over 5 hrs of fun learning if you want to you can learn excel vba in

one week by spending an hour each day with some extra time for practicing

[excel vba tutorial how to write code in a spreadsheet using](#) - Jan 24 2023

web jun 2 2020 introduction this is a tutorial about writing code in excel spreadsheets using visual basic for applications vba excel is one of microsoft s most popular products in 2016 the ceo of microsoft said think about a world without excel that s just impossible for me well maybe the world can t think without excel

excel vba tutorial for beginners 16 terms you must know to learn vba - Apr 14 2022

web in order to help you during the process of learning visual basic for applications i have created this excel vba tutorial for beginners where i explain in detail 16 actually you ll probably learn even more essential terms you need to

excel vba a step by step tutorial for beginners to learn excel vba - Feb 10 2022

web jun 30 2019 excel vba a step by step tutorial for beginners to learn excel vba programming from scratch peter bradley 3 99 publisher description

excel vba tutorial javatpoint - Jan 12 2022

web next excel vba tutorial vba stands for visual basic for applications and event driven programming language from microsoft it is now predominantly used with microsoft office applications such as ms excel ms word and ms access this tutorial helps you to learn the basics of excel vba

excel macros vba tutorial for beginners youtube - Jul 18 2022

web sep 22 2021 in this step by step overview learn how you can eliminate repetitive and boring tasks in microsoft excel using something called macros and vba or visual basic for applications with

learn vba online tutorial for beginners free interactive - Aug 31 2023

web learn vba online a tutorial for beginners learn vba online with this completely free interactive tutorial starting from basic to advanced topics with examples including vba basics variables conditional logic loops advanced cell referencing message and input boxes events settings advanced procedures and arrays

[excel vba tutorial for beginners learn excel vba step by step](#) - Sep 19 2022

web excel vba tutorial for beginners and its a step by step guide to learn excel vba this video has multiple assignments tips information warnings best prac

[vba tutorial step by step guide for beginners to learn vba](#) - Jul 30 2023

web this article is a guide to vba tutorial for beginners here we discuss steps to enable the developer tab and learn how to record macros in excel vba and practical examples below you can find some useful excel vba articles vba font color examples pivot table using vba code how to paste in vba how to select cell in vba vba tutorials

kisah muhajirin para pengikut nabi muhammad yang hijrah - Aug 14 2023

web feb 8 2023 kaum muhajirin ini memilih untuk bermigrasi karena ingin menyelamatkan diri kaum muhajirin banyak mendapatkan kesengsaraan selama mempromosikan

kisah kegigihan kaum muhajirin tvl parisbytrain com - Jan 07 2023

web jul 11 2023 kisah kegigihan kaum muhajirin 2 7 downloaded from uniport edu ng on july 11 2023 by guest islam in an era of nation states robert w hefner 1997 09 01

kisah kegigihan kaum muhajirin smo62 thaigov go th - Dec 26 2021

web april 4th 2018 a kisah kaum muhajirin kekejaman demi kekejaman penghinaan penganiayaan yang dilakukan kaum kafir quraisy terhadap kaum muslimin yang berada

kisah kaum muhajirin archives tafsir al quran - Oct 04 2022

web kisah kegigihan kaum muhajirin 1 kisah kegigihan kaum muhajirin kurikulum tingkat satuan pendidikan ktsp program pembelajaran sekolah dasar madrasah ibtidaiyah

kaum muhajirin adalah orang hijrah dari mekkah ke madinah - Aug 02 2022

web mar 6 2023 jakarta perjuangan dakwah nabi muhammad saw di makkah sangatlah sulit karena kaum quraisy enggan untuk menerima seruan serta ajakan dari rasulullah

kisah kegigihan kaum muhajirin orientation sutd edu sg - Mar 09 2023

web dilakukan kaum kafir quraisy terhadap kaum kegigihan kaum muhajirin kisah kaum muhajirin kekejaman demi kekejaman penghinaan penganiayaan yang

kisah kegigihan kaum muhajirin - Feb 25 2022

web nabi luth dan kaum sodom kisah kaum muhajirin kegigihan kaum muhajirin pengikut nabi muhammad saw yang ikut hijrah dari mekah ke medinah disebut dengan

kisah kegigihan kaum muhajirin auction prospera or id - Oct 24 2021

web kisah singkat kaum muhajirin dan kaum anshar harafi s mulki april 27th 2018 kisah kaum muhajirin kisah perjuangan kaum muhajirin persaudaraan yang dilandasi oleh

kisah kegigihan kaum muhajirin uniport edu ng - Dec 06 2022

web kisah kegigihan kaum muhajirin pada kisah pertama ini saya akan menceritakan sesampainya dimadinah rasulullah dan kaum muhajirin disambut demi melihat

kisah kegigihan kaum muhajirin housing gov - Feb 08 2023

web kisah kegigihan kaum muhajirin kisah kegigihan kaum muhajirin materi pai kisah kaum muhajirin dan kisah perjuangan kaum bendungan ma rib dan kaum

kisah kegigihan kaum muhajirin rc spectrallabs com - Sep 03 2022

web apr 26 2023 kaum muhajirin ini memilih untuk bermigrasi karena ingin menyelamatkan diri kaum muhajirin banyak mendapatkan kesengsaraan selama mempromosikan

kisah singkat perjuangan kaum muhajirin media dakwah - Mar 29 2022

web kisi kisi soal ujian sekolah berstandar nasional pendidikan islam siapakah kaum muhajirin dan ansar buku islam bahan ajar pai kelas vi

kisah kaum muhajirin mengadu tentang orang kaya youtube - May 31 2022

web feb 9 2018 sebutkan bentuk pengorbanan kaum muhajirin yang dapat kita contoh 3 apa yang di 143099 rinadesy1 rinadesy1 09 02 2018 b arab sekolah menengah

kisah perjuangan kaum muhajirin pdf scribd - May 11 2023

web kisah kaum muhajirin dan kaum ansar lab ilkom unila ac id april 15th 2018 kisah kaum muhajirin dan kaum ansar kaum muhajirin adalah pengikut pengikut setia

kisah kegigihan kaum muhajirin - Apr 10 2023

web kisah kegigihan kaum muhajirin kisah 2 orang sahabat anshar dan muhajirin dunia nabi kedermawanan kaum anshar dakwatuna com nabi muhammad

10 sahabat nabi kaum muhajirin yang dukung penuh dakwah - Jul 01 2022

web kunjungi akun originalnya lk moslem youtube com c lkmoslem janganlupalike comendansubscribe andshere

kisah kegigihan kaum muhajirin bespoke cityam - Jan 27 2022

web kisah kegigihan kaum muhajirin kisah kegigihan kaum muhajirin pendidikan islam siapakah kaum muhajirin dan ansar kisah 2 orang sahabat anshar dan

kisah kegigihan kaum muhajirin bespoke cityam - Nov 05 2022

web sebuah kata sandi akan dikirimkan ke email anda tafsir al quran referensi tafsir di indonesia tafsir tematik

meneladani kegigihan kaum muhajirin pdf scribd - Jul 13 2023

web meneladani kegigihan kaum muhajirin kaum muhajirin adalah orang yang pertama beriman kepada rasulullah mereka menegakkan ajaran islam bersama rasulullah

kisah kegigihan kaum muhajirin tvl parisbytrain com - Sep 22 2021

kisah kegigihan kaum muhajirin home rightster com - Nov 24 2021

web simple kisah kaum muhajirin dan anshar april 20th 2018 kisah kaum muhajirin dan anshar a perjuangan kaum muhajirin sejak nabi muhammad saw diangkat

kisah kaum muhajirin pdf scribd - Jun 12 2023

web kegigihan perjuangan kaum muhajirin rasulullah memilih yatsrib sebagai tempat untuk menyebarkan islam karena beliau tahu disana mudah menerima islam

1 jelaskan kegigihan kaum muhajirin dalam membela rasulullah - Apr 29 2022

web feb 28 2018 kisah singkat perjuangan kaum muhajirin orang islam yang ikut hijrah ke madinah disebut kaum muhajirin arti dari muhajirin adalah orang yang hijrah