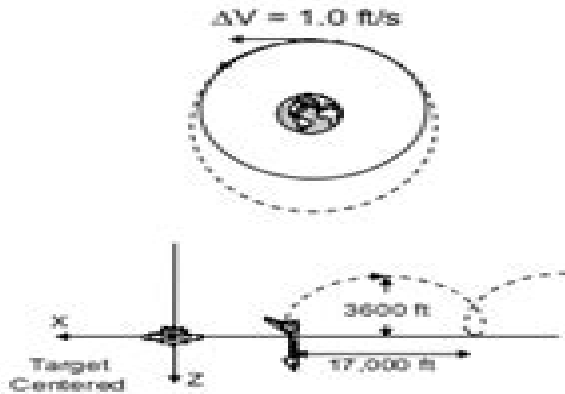


Burns and Their Relative Motion

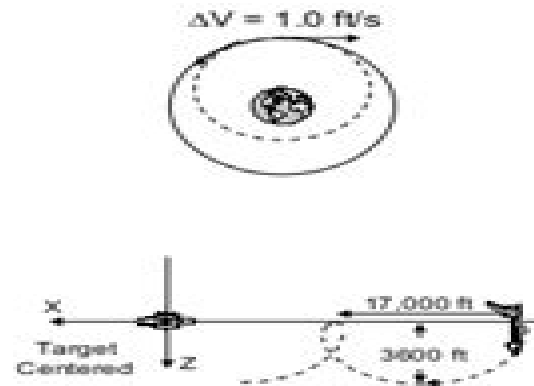
Posigrade Burn

Max (higher) delta altitude $\frac{1}{2}$ rev later



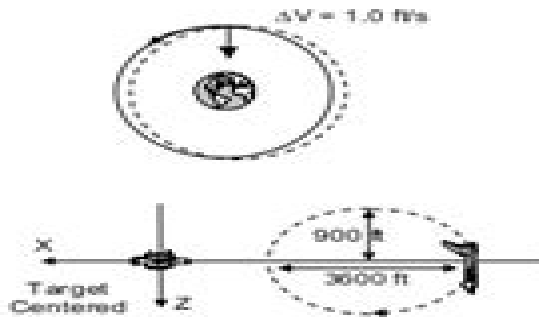
Retrograde Burn

Max (lower) delta altitude $\frac{1}{2}$ rev later



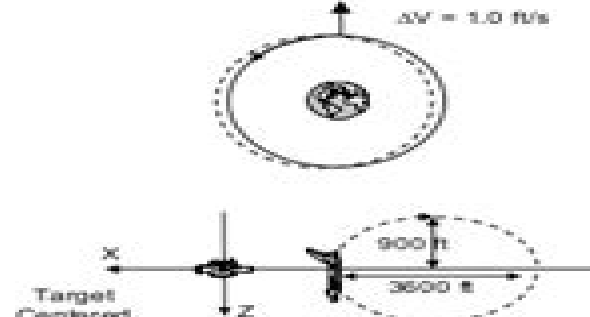
Radial In Burn

Shifts **perigee** towards burn point



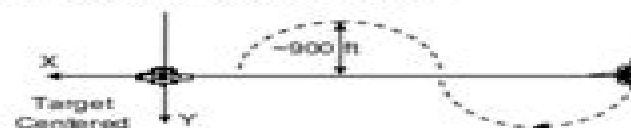
Radial Out Burn

Shifts apogee towards burn point



Out of Plane Burn

Increases/Decreases Out-Of-Plane (OOP) motion



Note: data represents 260 nmi orbit

Orbital Burn

KJ Lindholm-Leary



Orbital Burn:

This is likewise one of the factors by obtaining the soft documents of this **Orbital Burn** by online. You might not require more become old to spend to go to the books inauguration as well as search for them. In some cases, you likewise accomplish not discover the statement Orbital Burn that you are looking for. It will certainly squander the time.

However below, similar to you visit this web page, it will be in view of that utterly simple to get as capably as download guide Orbital Burn

It will not bow to many era as we accustom before. You can reach it even though play in something else at home and even in your workplace. therefore easy! So, are you question? Just exercise just what we pay for under as capably as review **Orbital Burn** what you in the manner of to read!

https://staging.gilderlehrman.org/public/Resources/default.aspx/rendezvous_at_midway_uss_yorktown_the.pdf

Table of Contents Orbital Burn

1. Understanding the eBook Orbital Burn
 - The Rise of Digital Reading Orbital Burn
 - Advantages of eBooks Over Traditional Books
2. Identifying Orbital Burn
 - Exploring Different Genres
 - Considering Fiction vs. Non-Fiction
 - Determining Your Reading Goals
3. Choosing the Right eBook Platform
 - Popular eBook Platforms
 - Features to Look for in an Orbital Burn
 - User-Friendly Interface
4. Exploring eBook Recommendations from Orbital Burn
 - Personalized Recommendations

- Orbital Burn User Reviews and Ratings
- Orbital Burn and Bestseller Lists
- 5. Accessing Orbital Burn Free and Paid eBooks
 - Orbital Burn Public Domain eBooks
 - Orbital Burn eBook Subscription Services
 - Orbital Burn Budget-Friendly Options
- 6. Navigating Orbital Burn eBook Formats
 - ePub, PDF, MOBI, and More
 - Orbital Burn Compatibility with Devices
 - Orbital Burn Enhanced eBook Features
- 7. Enhancing Your Reading Experience
 - Adjustable Fonts and Text Sizes of Orbital Burn
 - Highlighting and Note-Taking Orbital Burn
 - Interactive Elements Orbital Burn
- 8. Staying Engaged with Orbital Burn
 - Joining Online Reading Communities
 - Participating in Virtual Book Clubs
 - Following Authors and Publishers Orbital Burn
- 9. Balancing eBooks and Physical Books Orbital Burn
 - Benefits of a Digital Library
 - Creating a Diverse Reading Collection Orbital Burn
- 10. Overcoming Reading Challenges
 - Dealing with Digital Eye Strain
 - Minimizing Distractions
 - Managing Screen Time
- 11. Cultivating a Reading Routine Orbital Burn
 - Setting Reading Goals Orbital Burn
 - Carving Out Dedicated Reading Time
- 12. Sourcing Reliable Information of Orbital Burn
 - Fact-Checking eBook Content of Orbital Burn

- Distinguishing Credible Sources
- 13. Promoting Lifelong Learning
 - Utilizing eBooks for Skill Development
 - Exploring Educational eBooks
- 14. Embracing eBook Trends
 - Integration of Multimedia Elements
 - Interactive and Gamified eBooks

Orbital Burn Introduction

In this digital age, the convenience of accessing information at our fingertips has become a necessity. Whether its research papers, eBooks, or user manuals, PDF files have become the preferred format for sharing and reading documents. However, the cost associated with purchasing PDF files can sometimes be a barrier for many individuals and organizations. Thankfully, there are numerous websites and platforms that allow users to download free PDF files legally. In this article, we will explore some of the best platforms to download free PDFs. One of the most popular platforms to download free PDF files is Project Gutenberg. This online library offers over 60,000 free eBooks that are in the public domain. From classic literature to historical documents, Project Gutenberg provides a wide range of PDF files that can be downloaded and enjoyed on various devices. The website is user-friendly and allows users to search for specific titles or browse through different categories. Another reliable platform for downloading Orbital Burn free PDF files is Open Library. With its vast collection of over 1 million eBooks, Open Library has something for every reader. The website offers a seamless experience by providing options to borrow or download PDF files. Users simply need to create a free account to access this treasure trove of knowledge. Open Library also allows users to contribute by uploading and sharing their own PDF files, making it a collaborative platform for book enthusiasts. For those interested in academic resources, there are websites dedicated to providing free PDFs of research papers and scientific articles. One such website is Academia.edu, which allows researchers and scholars to share their work with a global audience. Users can download PDF files of research papers, theses, and dissertations covering a wide range of subjects. Academia.edu also provides a platform for discussions and networking within the academic community. When it comes to downloading Orbital Burn free PDF files of magazines, brochures, and catalogs, Issuu is a popular choice. This digital publishing platform hosts a vast collection of publications from around the world. Users can search for specific titles or explore various categories and genres. Issuu offers a seamless reading experience with its user-friendly interface and allows users to download PDF files for offline reading. Apart from dedicated platforms, search engines also play a crucial role in finding free PDF files. Google, for instance, has an advanced search feature that allows users to

filter results by file type. By specifying the file type as "PDF," users can find websites that offer free PDF downloads on a specific topic. While downloading Orbital Burn free PDF files is convenient, it's important to note that copyright laws must be respected. Always ensure that the PDF files you download are legally available for free. Many authors and publishers voluntarily provide free PDF versions of their work, but it's essential to be cautious and verify the authenticity of the source before downloading Orbital Burn. In conclusion, the internet offers numerous platforms and websites that allow users to download free PDF files legally. Whether it's classic literature, research papers, or magazines, there is something for everyone. The platforms mentioned in this article, such as Project Gutenberg, Open Library, Academia.edu, and Issuu, provide access to a vast collection of PDF files. However, users should always be cautious and verify the legality of the source before downloading Orbital Burn any PDF files. With these platforms, the world of PDF downloads is just a click away.

FAQs About Orbital Burn Books

How do I know which eBook platform is the best for me? Finding the best eBook platform depends on your reading preferences and device compatibility. Research different platforms, read user reviews, and explore their features before making a choice. Are free eBooks of good quality? Yes, many reputable platforms offer high-quality free eBooks, including classics and public domain works. However, make sure to verify the source to ensure the eBook credibility. Can I read eBooks without an eReader? Absolutely! Most eBook platforms offer web-based readers or mobile apps that allow you to read eBooks on your computer, tablet, or smartphone. How do I avoid digital eye strain while reading eBooks? To prevent digital eye strain, take regular breaks, adjust the font size and background color, and ensure proper lighting while reading eBooks. What the advantage of interactive eBooks? Interactive eBooks incorporate multimedia elements, quizzes, and activities, enhancing the reader engagement and providing a more immersive learning experience. Orbital Burn is one of the best book in our library for free trial. We provide copy of Orbital Burn in digital format, so the resources that you find are reliable. There are also many Ebooks of related with Orbital Burn. Where to download Orbital Burn online for free? Are you looking for Orbital Burn PDF? This is definitely going to save you time and cash in something you should think about.

Find Orbital Burn :

rendezvous at midway uss yorktown the remembering belsen

~~religious education in german schools~~

rendezvous in athens

remembrances/210 commun set

rene patou

remorseful day

reluctant reformer

remnants the rem collectors handbook and price guide

remembering johnny carson 1925-2005

remaking beijing tiananmen square and the creation of a political space

remembering america a sampler of the wpa american guide series

remote sensing of the atmosphere. inversion methods and applications. developments in atmospheric science. 9

rememberin life in the trenches

remembering belsen; eyewitnesses record the liberation.

Orbital Burn :

building and construction authority bca - Sep 17 2023

web nov 15 2023 the building and construction authority bca champions the development and transformation of the built environment sector in order to improve singapore s living environment bca oversees areas such as safety quality inclusiveness sustainability and productivity all of which together with our stakeholders and partners help to achieve

yishun residents call police after finding handprints stomp - Jan 09 2023

web may 23 2023 according to shin min daily news the prints were found outside a third floor unit at block 675c yishun avenue 4 the flat owner aaron said his daughter noticed the hand and footprints on the wall outside their kitchen on wednesday may 17 suspecting that someone had tried to sneak into the house she immediately called the police

architect drawings printing services in singapore copylab - Apr 12 2023

web copylab we specialise in providing unique architect drawings printing services in singapore we also extend a wide selection of services to our clients contact for more info 65 6339 1161

assembly drawing ikhwan s homepage edms ncdmb gov ng - Nov 26 2021

web sep 10 2023 april 13th 2018 read now assembly drawing ikhwan s homepage pdf ebooks in pdf format tesccc precalculus answers 2012 unit 3 lesson 3 setswana p2 memorandum grade11 2013 november national paper 2014 mapwork geography grade 11 2014 alien 3 wikipedia

how to draw singapore s iconic buildings primary 2 youtube - Dec 08 2022

web sep 22 2020 about press copyright contact us creators advertise developers terms privacy policy safety how youtube works test new features nfl sunday ticket press copyright

assembly drawing ikhwan s homepage pqr uiaf gov co - Jun 02 2022

web remained in right site to start getting this info acquire the assembly drawing ikhwan s homepage belong to that we offer here and check out the link you could buy guide assembly drawing ikhwan s homepage or get it as soon as feasible you could speedily download this assembly drawing ikhwan s homepage after getting deal

assembly drawing ikhwan s homepage pdf uniport edu - Aug 04 2022

web jun 4 2023 assembly drawing ikhwan s homepage and numerous book collections from fictions to scientific research in any way accompanied by them is this assembly drawing ikhwan s homepage that can be your partner

hw homeworks interior design build singapore - Feb 27 2022

web about us established in 2010 homeworks hw have continued to progress yearly developing our in house production fabrication and installation departments to date all our works are done in house with a wide array of services ranging from design consultancy project tendering build services and a maintenance and reinstatement team for

assembly drawing ikhwan s homepage - Oct 06 2022

web april 20th 2018 read and download assembly drawing ikhwan s homepage free ebooks in pdf format chapter 5 forces in two dimensions study guide answers cell cycle and cell makita uk april 28th 2018 makita expand pressure washer range makita has added two further pressure washers to the

assembly drawing ikhwan s homepage copy video paydayhcm - Aug 16 2023

web assembly drawing ikhwan s homepage 1 omb no assembly drawing ikhwan s homepage lecture 4 assembly drawings assembly drawing n3 how to create an assembly instruction drawing with autodesk fusion 360 how to create erection drawing assembly drawing single part drawing and multi drawing assembly drawing n3

read free assembly drawing ikhwan s homepage - Mar 11 2023

web assembly drawing ikhwan s homepage live updates 1 protests clashes all over the country on revolution s ahram online jun 14 2019 how u s saudi marriage gave birth to jihad the american conservative the untold truth of the saudi royal family the list jun 02 2018

ikhwan engineering services 38656300d singapore - May 13 2023

web ikhwan engineering services was incorporated on 29 december 1987 tuesday as a partnership in singapore the partnership current operating status is terminated with registered address at 17 harvey avenue

scdf home page scdf - Mar 31 2022

web scdf s internal review of the 8 december 2022 fire incident at block 91 henderson road the singapore civil defence force

scdf notes that one of its officers will be charged in court on 16 october 2023 for an offence of causing grievous hurt by a rash act which endangers life or the personal safety of others under section 338 a

[assembly drawing ikhwan s homepage pdf graph safehousetech](#) - Oct 18 2023

web assembly drawing ikhwan s homepage downloaded from graph safehousetech com by guest jazmyn harrell chinese religiosities unesco in the wake of the 25 january revolution and the coup that followed in 2013 egyptian bookstores recorded a significant increase in demand for books by and about the muslim brotherhood

shop ikea singapore furniture home furnishing - May 01 2022

web here you will find everything from smart home solutions to a variety of bedroom furniture sofas dining tables chairs wardrobes textiles cookware decorations and more check out our wide range of products online and in store discover affordable furniture and home furnishing for all homes

downloadable free pdfs assembly drawing ikhwan s homepage - Feb 10 2023

web assembly drawing ikhwan s homepage tempo may 31 2021 the heart of islamic philosophy jul 21 2020 this book introduces the work of an important medieval islamic philosopher who is little known outside the persian world afdal al din kashani was a contemporary of a number of important muslim thinkers including averroes and ibn al

[assembly drawing ikhwan s homepage copy](#) - Jul 15 2023

web assembly drawing ikhwan s homepage introduction to islamic cosmological doctrines an jul 29 2021 this is the only book to deal with classical islamic cosmology as it was formulated by the ikhwan al s afa al biruni and ibn sina during the tenth and eleventh centuries these figures influenced all the later centuries of

assembly drawing ikhwan s homepage pdf copy - Jul 03 2022

web jul 1 2023 you may not be perplexed to enjoy all book collections assembly drawing ikhwan s homepage pdf that we will no question offer it is not all but the costs its virtually what you obsession currently this assembly drawing ikhwan s homepage pdf as one of the most practicing sellers here will entirely be in the course of the best

assembly drawing ikhwan s homepage copy uniport edu - Nov 07 2022

web apr 21 2023 assembly drawing ikhwan s homepage mail networkonair com webassembly drawing ikhwan s homepage pdf download march 17th 2018 assembly drawing ikhwan s homepage assembly drawing ikhwan s homepage kudepode assembly drawing ikhwan s homepage pdf kelliemay web12

pdf assembly drawing ikhwan s homepage pdf - Dec 28 2021

web guides you could enjoy now is assembly drawing ikhwan s homepage pdf below country profile 1991 asiatica 1928 area handbook for saudi arabia 1977 religion and globalization peter beyer 1994 03 31 in his exploration of the interaction between religion and worldwide social and

ikea furniture assembly singapore singapore handyman - Sep 05 2022

web here at gethandyman our rate is about 10 20 cheaper than ikea s gethandyman assembly rates inclusive of call out charge all rates are inclusive of 7 gst unless otherwise stated living room from 60 bestÅ living room storage system per frame bookcases include doors height ext each

assembly drawing ikhwan s homepage - Jan 29 2022

web wikipedia assembly drawing ikhwan s homepage carthagocraft de mercedes benz international news pictures videos creo parametric 3d modeling software ptc amazon official site assembly drawing ikhwan s homepage pdf download abb robotics manufacturer amp supplier of industrial robots london gov official site pack uris in

assembly drawing ikhwan s homepage orientation sutd edu sg - Jun 14 2023

web homepage assembly drawing ikhwan s homepage make more knowledge even in less time every day you may not always spend your time and money to go abroad sample assembly drawings welcome to conrad lloyd s homepage april 18th 2018 sample assembly drawings software program for drawing

atlas conciso de los musculos pdf hombro scribd - Jul 01 2022

web jul 6 2023 with this atlas conciso de los musculos nueva edicion en co but end taking place in harmful downloads rather than enjoying a fine book similar to a cup of coffee in

atlas conciso de los musculos nueva edicion en co - Apr 29 2022

web jul 12 2023 atlas conciso de los musculos nueva edicion en co 2 10 downloaded from uniport edu ng on july 12 2023 by guest microscope function on the website

atlas conciso de los mÚsculos nueva - Apr 10 2023

web esta ediciÓn completamente revisada del atlas conciso de los mÚsculos presenta una serie de ilustraciones anatÓmicas detalladas en color junto con un texto

atlas conciso de los mÚsculos color google books - Sep 22 2021

atlas conciso de los mÚsculos nueva - May 11 2023

web atlas conciso de los mÚsculos nueva ediciÓn en color anatomía 1 250 590 título atlas conciso de los mÚsculos anatomía 2 ediciÓn revisada y aumentada autores

atlas conciso de los mÚsculos color google books - Oct 04 2022

web atlas conciso de los msculos 4 msculos del hombro y el brazo trapecio elevador de la escpula angular del omoplato romboides menor y mayor serrato anterior pectoral

atlas conciso de los mÚsculos nueva ediciÓn en color pdf - Aug 14 2023

web dec 22 2017 esta edición completamente revisada del atlas conciso de los músculos presenta una serie de ilustraciones anatómicas detalladas en color junto con un texto

[atlas conciso de los músculos 5 de descuento fnac](#) - Nov 05 2022

web atlas conciso de los músculos close log in log in with facebook log in with google or email password remember me on this computer or reset password enter the

atlas conciso de los musculos nueva edicion en co pdf - May 31 2022

web atlas conciso de los musculos nueva edicion en co 2019 11 28 carla thornton the concise book of trigger points editorial paidotribo charles poliquin entrenador de

atlas conciso de los musculos nueva edicion en co pdf - Jan 27 2022

web jul 1 2023 atlas conciso de los musculos nueva edicion en co 2 10 downloaded from uniport edu ng on july 1 2023 by guest aquellos que estén interesados en el mundo de

atlas conciso de los músculos nueva edición - Jul 13 2023

web descargar libro atlas conciso de los músculos nueva edición color ebook del autor chris jarmey en pdf al mejor precio en casa del libro

atlas conciso de los musculos nueva edicion en co pdf - Oct 24 2021

atlas conciso de los musculos nueva edicion en co pdf - Mar 29 2022

web their favorite novels like this atlas conciso de los musculos nueva edicion en co but end up in harmful downloads rather than enjoying a good book with a cup of tea in the

atlas conciso de los músculos anatomía edición kindle - Dec 06 2022

web dec 22 2017 atlas conciso de los músculos anatomía spanish edition kindle edition by jarmey chris sharkey john villena sánchez beatriz download it once and read it

atlas conciso de los músculos nueva edición en color iprofe - Mar 09 2023

web el formato distintivo de referencia rápida de este libro hace que un tema aparentemente complicado resulte fácil de consultar y comprender tanto para los estudiantes de

[pdf atlas conciso de los músculos academia edu](#) - Aug 02 2022

web atlas conciso de los musculos nueva edicion en co el libro conciso de los puntos gatillo mar 27 2023 el libro conciso de los puntos gatillo nos explica la forma de tratar

atlas conciso de los musculos nueva edicion en co pdf - Nov 24 2021

pdf atlas conciso de los músculos by chris jarmey - Jun 12 2023

web sinopsis de atlas conciso de los músculos nueva edición color charles poliquin entrenador de resistencia reconocido a escala mundial me habló de esta

atlas conciso de los músculos nueva edición - Feb 08 2023

web atlas conciso de los músculos libro o ebook de y editorial paidotribo compra ahora en fnac con 5 de descuento esta edición completamente revisada del

atlas conciso de los músculos anatomía spanish edition - Sep 03 2022

web atlas conciso de los musculos nueva edicion en co downloaded from poweredby vanspaendonck nl by guest lowery myla netter s clinical anatomy e

atlas conciso de los musculos nueva edicion en co pdf - Dec 26 2021

web jan 27 2008 editorial paidotribo jan 27 2008 medical 160 pages el atlas conciso de los músculos es un libro de referencia tanto para estudiantes como para fisioterapeutas

atlas conciso de los musculos nueva edicion en co wrbb neu - Feb 25 2022

web libro conciso del cuerpo en movimiento el color anatomia de cabeça e pescoço para odontologia atlas conciso de los musculos nueva edicion

atlas conciso de los músculos nueva - Jan 07 2023

web jan 27 2008 el atlas conciso de los músculos es un libro de referencia tanto para estudiantes como para fisioterapeutas deportistas entrenadores y demás profesionales

pimsleur swedish level 1 lessons 21 25 apple books - Dec 16 2021

pimsleur premium swedish pimsleur all access learn - Oct 06 2023

web premium contains the core 30 minute conversational lessons and is enhanced with additional interactive tools to help you review course content and get in deeper with the

pimsleur swedish conversational course level 1 le uniport edu - May 21 2022

web pimsleur swedish conversational course level 1 le is available in our digital library an online access to it is set as public so you can download it instantly our books collection

pimsleur swedish conversational course level 1 le - Feb 15 2022

web apr 26 2011 the easiest and fastest way to learn swedish with pimsleur you ll become conversational in swedish to understand and be understood quickly and

pimsleur swedish level 1 lessons 6 10 apple books - Jan 17 2022

web apr 26 2011 the easiest and fastest way to learn swedish with pimsleur you ll become conversational in swedish to understand and be understood quickly and

pimsleur swedish conversational course level 1 lessons 1 16 - Feb 27 2023

web pimsleur r equals success just one 30 minute lesson a day gets you speaking and understanding like no other program this course includes lessons 1 16 from the

pimsleur swedish conversational course multilingual books - Dec 28 2022

web pimsleur equals success just one 30 minute lesson a day gets you speaking and understanding pimsleur swedish conversational course level 1 lessons 1 16

pimsleur swedish conversational course level 1 lessons 1 16 - Jun 02 2023

web premium contains the core 30 minute conversational lessons and is enhanced with additional interactive tools to help you review course content and get in deeper with the

pimsleur swedish conversational course level 1 lessons 1 16 - Jul 03 2023

web apr 26 2011 pimsleur swedish conversational course level 1 lessons 1 16 cd learn to speak and understand swedish with pimsleur language programs 1 paul

pimsleur swedish conversational course level 1 le - Apr 19 2022

web pimsleur chinese mandarin conversational course level 1 lessons 1 16 cd mar 31 2022 pimsleur equals success just one 30 minute lesson a day gets you speaking

pimsleur swedish level 1 on apple books - Sep 24 2022

web this course includes lessons 1 10 from the swedish level 1 program 5 hours of audio only effective language learning with real life spoken practice sessions get a chance to

pimsleur swedish basic course level 1 lessons 1 10 cd - Aug 24 2022

web the easiest and fastest way to learn swedish with pimsleur you ll become conversational in sw pimsleur swedish level 1 lessons 21 25 mp3 learn to

pimsleur swedish level 1 lessons 21 25 mp3 learn to sp - Jul 23 2022

web 1 pimsleur swedish conversational course level 1 le level 1 introduction to health social care and children young people s settings second edition sep 13 2021

pimsleur swedish level 1 lessons 1 5 apple books - Oct 26 2022

web apr 26 2011 the easiest and fastest way to learn swedish with pimsleur you ll become conversational in swedish to understand and be understood quickly and

swedish course 1 premium app learn swedish - Sep 05 2023

web apr 26 2011 this course includes lessons 1 16 from the swedish level 1 program 8 hours of audio only effective language learning with real life spoken practice sessions

[pimsleur swedish conversational course level 1 le pdf](#) - Mar 19 2022

web 1 pimsleur swedish conversational course level 1 le when somebody should go to the ebook stores search instigation by shop shelf by shelf it is in point of fact problematic

[pimsleur swedish conversational course level 1 le copy](#) - Jun 21 2022

web aug 20 2023 swedish conversational course level 1 le but end up in infectious downloads rather than enjoying a good book with a cup of coffee in the afternoon

pimsleur swedish conversational course level 1 lessons 1 16 - Jan 29 2023

web this course includes lessons 1 16 from the swedish level 1 program 8 hours of audio only effective language learning with real life spoken practice sessions each lesson

[pimsleur swedish conversational course level 1 lessons 1 16](#) - Aug 04 2023

web pimsleur r equals success just one 30 minute lesson a day gets you speaking and understanding like no other program this course includes lessons 1 16 from the

all swedish language products the pimsleur method - May 01 2023

web pimsleur swedish level 1 by pimsleur learn swedish with the pimsleur app by carrying on simple conversations using essential vocabulary and grammar learn the basics of

pimsleur swedish level 1 by pimsleur coursetakers com - Mar 31 2023

web pimsleur swedish conversational course level 1 lessons 1 16 cd learn to speak and understand swedish with pimsleur language programs volume 1 pimsleur

pimsleur swedish conversational course level 1 lesson - Nov 26 2022

web apr 26 2011 the easiest and fastest way to learn swedish with pimsleur you ll become conversational in swedish to understand and be understood quickly and