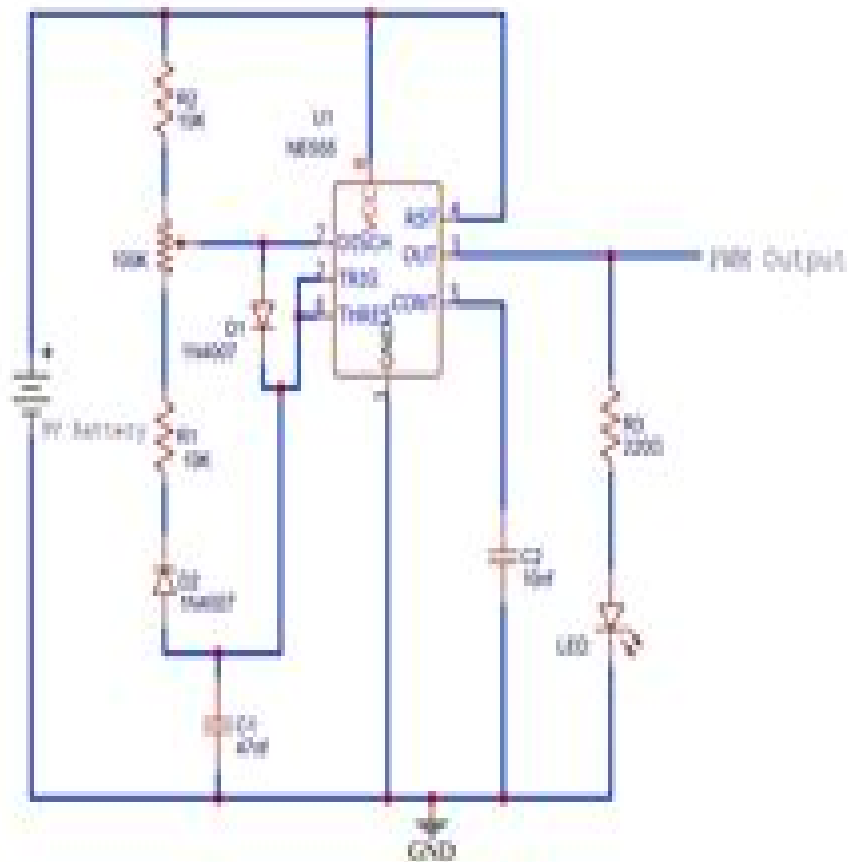


# Pulse Width Modulation PWM



# Pulse Width Modulation For Power Converters

**Md. Rabiul Islam, Md. Rakibuzzaman  
Shah, Mohd. Hasan Ali**

## **Pulse Width Modulation For Power Converters:**

This Enthralling World of Kindle Books: A Comprehensive Guide Revealing the Pros of E-book Books: A Realm of Ease and Versatility Kindle books, with their inherent mobility and ease of availability, have liberated readers from the constraints of physical books. Gone are the days of lugging cumbersome novels or carefully searching for specific titles in bookstores. E-book devices, stylish and portable, seamlessly store an wide library of books, allowing readers to indulge in their favorite reads whenever, anywhere. Whether traveling on a bustling train, lounging on a sunny beach, or simply cozying up in bed, E-book books provide an exceptional level of ease. A Literary Universe Unfolded: Exploring the Wide Array of E-book Pulse Width Modulation For Power Converters Pulse Width Modulation For Power Converters The Kindle Store, a digital treasure trove of bookish gems, boasts an wide collection of books spanning varied genres, catering to every readers preference and preference. From captivating fiction and mind-stimulating non-fiction to classic classics and contemporary bestsellers, the Kindle Shop offers an exceptional abundance of titles to explore. Whether seeking escape through immersive tales of imagination and exploration, diving into the depths of past narratives, or expanding ones understanding with insightful works of scientific and philosophical, the E-book Shop provides a gateway to a bookish world brimming with limitless possibilities. A Transformative Force in the Bookish Landscape: The Lasting Impact of E-book Books Pulse Width Modulation For Power Converters The advent of E-book books has unquestionably reshaped the bookish scene, introducing a model shift in the way books are published, distributed, and read. Traditional publication houses have embraced the online revolution, adapting their strategies to accommodate the growing demand for e-books. This has led to a surge in the accessibility of E-book titles, ensuring that readers have entry to a wide array of literary works at their fingers. Moreover, Kindle books have equalized access to books, breaking down geographical barriers and offering readers worldwide with similar opportunities to engage with the written word. Regardless of their place or socioeconomic background, individuals can now engross themselves in the intriguing world of books, fostering a global community of readers. Conclusion: Embracing the E-book Experience Pulse Width Modulation For Power Converters Kindle books Pulse Width Modulation For Power Converters, with their inherent ease, flexibility, and vast array of titles, have undoubtedly transformed the way we encounter literature. They offer readers the liberty to discover the limitless realm of written expression, whenever, everywhere. As we continue to navigate the ever-evolving digital scene, Kindle books stand as testament to the enduring power of storytelling, ensuring that the joy of reading remains accessible to all.

<https://staging.gilderlehrman.org/About/virtual-library/fetch.php/Resonance%20The%20New%20Chemistry%20Of%20Love.pdf>

## **Table of Contents Pulse Width Modulation For Power Converters**

1. Understanding the eBook Pulse Width Modulation For Power Converters
  - The Rise of Digital Reading Pulse Width Modulation For Power Converters
  - Advantages of eBooks Over Traditional Books
2. Identifying Pulse Width Modulation For Power Converters
  - Exploring Different Genres
  - Considering Fiction vs. Non-Fiction
  - Determining Your Reading Goals
3. Choosing the Right eBook Platform
  - Popular eBook Platforms
  - Features to Look for in an Pulse Width Modulation For Power Converters
  - User-Friendly Interface
4. Exploring eBook Recommendations from Pulse Width Modulation For Power Converters
  - Personalized Recommendations
  - Pulse Width Modulation For Power Converters User Reviews and Ratings
  - Pulse Width Modulation For Power Converters and Bestseller Lists
5. Accessing Pulse Width Modulation For Power Converters Free and Paid eBooks
  - Pulse Width Modulation For Power Converters Public Domain eBooks
  - Pulse Width Modulation For Power Converters eBook Subscription Services
  - Pulse Width Modulation For Power Converters Budget-Friendly Options
6. Navigating Pulse Width Modulation For Power Converters eBook Formats
  - ePub, PDF, MOBI, and More
  - Pulse Width Modulation For Power Converters Compatibility with Devices
  - Pulse Width Modulation For Power Converters Enhanced eBook Features
7. Enhancing Your Reading Experience
  - Adjustable Fonts and Text Sizes of Pulse Width Modulation For Power Converters
  - Highlighting and Note-Taking Pulse Width Modulation For Power Converters
  - Interactive Elements Pulse Width Modulation For Power Converters

8. Staying Engaged with Pulse Width Modulation For Power Converters
  - Joining Online Reading Communities
  - Participating in Virtual Book Clubs
  - Following Authors and Publishers Pulse Width Modulation For Power Converters
9. Balancing eBooks and Physical Books Pulse Width Modulation For Power Converters
  - Benefits of a Digital Library
  - Creating a Diverse Reading Collection Pulse Width Modulation For Power Converters
10. Overcoming Reading Challenges
  - Dealing with Digital Eye Strain
  - Minimizing Distractions
  - Managing Screen Time
11. Cultivating a Reading Routine Pulse Width Modulation For Power Converters
  - Setting Reading Goals Pulse Width Modulation For Power Converters
  - Carving Out Dedicated Reading Time
12. Sourcing Reliable Information of Pulse Width Modulation For Power Converters
  - Fact-Checking eBook Content of Pulse Width Modulation For Power Converters
  - Distinguishing Credible Sources
13. Promoting Lifelong Learning
  - Utilizing eBooks for Skill Development
  - Exploring Educational eBooks
14. Embracing eBook Trends
  - Integration of Multimedia Elements
  - Interactive and Gamified eBooks

### **Pulse Width Modulation For Power Converters Introduction**

In this digital age, the convenience of accessing information at our fingertips has become a necessity. Whether its research papers, eBooks, or user manuals, PDF files have become the preferred format for sharing and reading documents. However, the cost associated with purchasing PDF files can sometimes be a barrier for many individuals and organizations. Thankfully, there are numerous websites and platforms that allow users to download free PDF files legally. In this article, we will explore some of the best platforms to download free PDFs. One of the most popular platforms to download free PDF files is Project

Gutenberg. This online library offers over 60,000 free eBooks that are in the public domain. From classic literature to historical documents, Project Gutenberg provides a wide range of PDF files that can be downloaded and enjoyed on various devices. The website is user-friendly and allows users to search for specific titles or browse through different categories. Another reliable platform for downloading Pulse Width Modulation For Power Converters free PDF files is Open Library. With its vast collection of over 1 million eBooks, Open Library has something for every reader. The website offers a seamless experience by providing options to borrow or download PDF files. Users simply need to create a free account to access this treasure trove of knowledge. Open Library also allows users to contribute by uploading and sharing their own PDF files, making it a collaborative platform for book enthusiasts. For those interested in academic resources, there are websites dedicated to providing free PDFs of research papers and scientific articles. One such website is Academia.edu, which allows researchers and scholars to share their work with a global audience. Users can download PDF files of research papers, theses, and dissertations covering a wide range of subjects. Academia.edu also provides a platform for discussions and networking within the academic community. When it comes to downloading Pulse Width Modulation For Power Converters free PDF files of magazines, brochures, and catalogs, Issuu is a popular choice. This digital publishing platform hosts a vast collection of publications from around the world. Users can search for specific titles or explore various categories and genres. Issuu offers a seamless reading experience with its user-friendly interface and allows users to download PDF files for offline reading. Apart from dedicated platforms, search engines also play a crucial role in finding free PDF files. Google, for instance, has an advanced search feature that allows users to filter results by file type. By specifying the file type as "PDF," users can find websites that offer free PDF downloads on a specific topic. While downloading Pulse Width Modulation For Power Converters free PDF files is convenient, it's important to note that copyright laws must be respected. Always ensure that the PDF files you download are legally available for free. Many authors and publishers voluntarily provide free PDF versions of their work, but it's essential to be cautious and verify the authenticity of the source before downloading Pulse Width Modulation For Power Converters. In conclusion, the internet offers numerous platforms and websites that allow users to download free PDF files legally. Whether it's classic literature, research papers, or magazines, there is something for everyone. The platforms mentioned in this article, such as Project Gutenberg, Open Library, Academia.edu, and Issuu, provide access to a vast collection of PDF files. However, users should always be cautious and verify the legality of the source before downloading Pulse Width Modulation For Power Converters any PDF files. With these platforms, the world of PDF downloads is just a click away.

---

## FAQs About Pulse Width Modulation For Power Converters Books

**What is a Pulse Width Modulation For Power Converters PDF?** A PDF (Portable Document Format) is a file format developed by Adobe that preserves the layout and formatting of a document, regardless of the software, hardware, or operating system used to view or print it. **How do I create a Pulse Width Modulation For Power Converters PDF?** There are several ways to create a PDF: Use software like Adobe Acrobat, Microsoft Word, or Google Docs, which often have built-in PDF creation tools. Print to PDF: Many applications and operating systems have a "Print to PDF" option that allows you to save a document as a PDF file instead of printing it on paper. Online converters: There are various online tools that can convert different file types to PDF. **How do I edit a Pulse Width Modulation For Power Converters PDF?** Editing a PDF can be done with software like Adobe Acrobat, which allows direct editing of text, images, and other elements within the PDF. Some free tools, like PDFescape or Smallpdf, also offer basic editing capabilities. **How do I convert a Pulse Width Modulation For Power Converters PDF to another file format?** There are multiple ways to convert a PDF to another format: Use online converters like Smallpdf, Zamzar, or Adobe Acrobats export feature to convert PDFs to formats like Word, Excel, JPEG, etc. Software like Adobe Acrobat, Microsoft Word, or other PDF editors may have options to export or save PDFs in different formats. **How do I password-protect a Pulse Width Modulation For Power Converters PDF?** Most PDF editing software allows you to add password protection. In Adobe Acrobat, for instance, you can go to "File" -> "Properties" -> "Security" to set a password to restrict access or editing capabilities. Are there any free alternatives to Adobe Acrobat for working with PDFs? Yes, there are many free alternatives for working with PDFs, such as: LibreOffice: Offers PDF editing features. PDFsam: Allows splitting, merging, and editing PDFs. Foxit Reader: Provides basic PDF viewing and editing capabilities. How do I compress a PDF file? You can use online tools like Smallpdf, ILovePDF, or desktop software like Adobe Acrobat to compress PDF files without significant quality loss. Compression reduces the file size, making it easier to share and download. Can I fill out forms in a PDF file? Yes, most PDF viewers/editors like Adobe Acrobat, Preview (on Mac), or various online tools allow you to fill out forms in PDF files by selecting text fields and entering information. Are there any restrictions when working with PDFs? Some PDFs might have restrictions set by their creator, such as password protection, editing restrictions, or print restrictions. Breaking these restrictions might require specific software or tools, which may or may not be legal depending on the circumstances and local laws.

### Find Pulse Width Modulation For Power Converters :

[resonance the new chemistry of love](#)

*reshaping western security the united states faces a united europe the united*

[residue reviews vol. 85](#)

[resurrection of the snails other poems](#)

[retelling/rereading the fate of storytelling in modern times](#)

**retire rich how to plan a secure financial future**

**rethinking marketing towards critical marketing accountings**

[resumenes de las lecciones grado 5.](#)

[rest areas and welcome centers along us in](#)

[responsibility grade-2](#)

**retelling tales essays in honor of russell peck**

*resonancia magnetica*

[restructuring japans financial markets](#)

**rethinking ethnicity; majority groups and dominant minorities**

**retail management letters a years worth**

### **Pulse Width Modulation For Power Converters :**

[microsurgical models in rats for transplantation research](#) - Dec 07 2022

web feb 28 2022 [microsurgical models in rats for transplantation research](#) item preview remove circle share or embed this item share to twitter share to facebook share to reddit share to tumblr share to pinterest share via email

**microsurgical models in rats for transplantation research** - Sep 04 2022

web find the latest published papers in microsurgical models in rats for transplantation research top authors related hot topics the most cited papers and related journals

[rodent transplantation medicine springerlink](#) - Jul 14 2023

web jan 1 2023 to establish murine transplant models microsurgical skills in rat models are normally required which will shorten learning curve and weaken feeling of frustration 2 rejection intensity of graft in mice is less severe than that in the rat transplant model

**microsurgical models in rats for transplantation 2022** - Jun 01 2022

web microsurgical models in rats for transplantation training and education in neurosurgery strategies and challenges for the next ten years handbook of animal models in transplantation research

**microsurgical renal transplant models in rats a comparison of four** - Dec 27 2021

web microsurgical renal transplant models in rats a comparison of four anastomotic techniques transplant proc 1989 apr 21

2 3351 2 authors j chin 1 r zhong j duff c stiller affiliation 1department of surgery university of western ontario london canada pmid 2652832

**a novel microsurgical rodent model for the transplantation of** - Apr 11 2023

web in this article we describe the methodology of a novel rat model that allows for the transplantation of an engineered cardiac muscle flap ecmf onto the epicardium materials and methods a total of 40 rats were used twenty four neonatal rats were used to harvest cardiomyocytes

**microsurgical models in rats for transplantation research** - May 12 2023

web preclinical experimental transplantation research that is based on microsurgical models in rats fulfills two indispensable conditions for modern organ transplantation research almost

**microsurgical models rats transplantation abebooks** - Feb 26 2022

web microsurgical models in rats for transplantation research by arnulf thiede eberhard deltz rainer engemann and a great selection of related books art and collectibles available now at abebooks com

**microsurgical models in rats for transplantation research** - Feb 09 2023

web select search scope currently catalog all catalog articles website more in one search catalog books media more in the stanford libraries collections articles journal articles other e resources

**microsurgical models in rats for transplantation research** - Jan 08 2023

web microsurgical models in rats for transplantation research amazon com tr kitap

microsurgical training curriculum for learning kidney and liver - Jul 02 2022

web this applies in particular to complicated microsurgical models which require a structured teaching concept with clearly laid down working steps and adequate didactic resources transplantations in rats are undoubtedly among the most

microsurgical models in rats for transplantation research pdf - Jun 13 2023

web microsurgical models in rats for transplantation research pdf 6pjcgg04rqi0 preclinical experimental transplantation research that is based on microsurgical models in rats fulfills two indispensab

**heterotopic renal transplantation in the rat an advanced microsurgical** - Jan 28 2022

web abstract microsurgical training programs have instructed trainees from many surgical specialties with the expansion of these techniques into all areas of clinical surgery and experimental research most programs employ the rat femoral vessel model in microsurgical training

**small intestine transplantation experimental microsurgical model in rats** - Nov 06 2022

web microsurgical transplantation models in rats are widely used for the application of a great variety of immunological and physiological tests herein we report our experience after 30 intestinal harvestings and 12 intestinal transplantations in rats

[microsurgical models in rats for transplantation research](#) - Aug 15 2023

web preclinical experimental transplantation research that is based on microsurgical models in rats fulfills two indispensable conditions for modern organ transplantation research almost all organ grafts can be performed on the rat with an

**history and development of experimental microsurgery in rats** - Mar 30 2022

web lee s 1985 history and development of experimental microsurgery in rats in thiede a deltz e engemann r hamelmann h eds microsurgical models in rats for transplantation research springer berlin heidelberg doi org 10 1007 978 3 642 61657 0 1 download citation ris enw bib doi doi org 10 1007 978 3 642

[microsurgical models in rats for transplantation research](#) - Oct 05 2022

web preclinical experimental transplantation research that is based on microsurgical models in rats fulfills two indispensable conditions for modern organ transplantation research almost all organ grafts can be performed on the rat with an

[microsurgical models in rats for transplantation research](#) [goodreads](#) - Apr 30 2022

web preclinical experimental transplantation research that is based on microsurgical models in rats fulfills two indispensable conditions for modern organ transplantation research almost all organ grafts can be performed on the rat with an

**microsurgical techniques for small bowel transplantation in rats** - Mar 10 2023

web microsurgical techniques for small bowel transplantation in rats r kellersmann h kiyochi r black d grant r zhong chapter 272 accesses 1 citations abstract during this decade small bowel transplantation sbt has become a therapeutic option for patients with end stage intestinal failure 1

*microsurgical models in rats for transplantation research print* - Aug 03 2022

web disease models animal microsurgery methods rats transplantation methods transplantation immunology animals genre books bibliographic information publication date 1985 isbn 038713221x new york 354013221x berlin browse related items start at call number rd33 6 m53 1985 view full page

**rules rituals and protocol submissive guide** - Apr 17 2023

web rules rituals and protocol rituals and protocols can add richness structure and even a little fun to a d s relationship knowing the difference between the two can help the submissive better understand the desires and intentions of the dominant and to be more pleasing when performing them

[some daily rules and routines for the submissive boundyou](#) - Oct 23 2023

web aug 3 2020 some daily rules and routines for the submissive boundyou written by masterboundyou august 3 2020 some daily rules and routines for the submissive when you re working full time the desire to submit can be

[life for enslaved men and women article khan academy](#) - Mar 16 2023

web slave patrols basically militias of free white men were created to oversee and enforce the slave codes such strict racial

policing was designed partly to ensure that enslaved people would never be able to revolt against those who held them in bondage 3

**etiquette mistress blaze surrender to my desires** - Apr 05 2022

web professional domination is a luxury experience and tributing accordingly is non negotiable any requests to be my personal 24 7 live in or full time slave will be ignored don t bother trying

**slave s punishments and sleeping positions my slave contract** - Nov 12 2022

web slave punishments and sleeping positions complete slavery includes regulation and control including during the hours of sleep and the duration of sleep sleep deprivation leads to poor performance and can amount to torture male chastity control is well known but less familiar are routines to ensure sleep discipline

**what is slave training submissive guide** - Feb 15 2023

web the important thing to remember with slave training is that is it an agreed upon change or set of changes that the submissive undergoes to improve themselves for their dominant or themselves you do not have to be in a relationship to undergo training

slavery the isis rules human rights watch - Jan 14 2023

web sep 5 2015 kenroth modern slavery takes many forms but most slaves are forced to work in the shadows those who control modern slaves whether men compelled to work on thai fishing boats domestic workers

**dominance and submission a guide to dom sub dynamics mashable** - May 18 2023

web feb 2 2023 one person is usually the more submissive partner while the other is more dominant but within the context of bdsm these dynamics become even more explicit bdsm stands for bondage dominance

**bdsm guide what it s like to be a submissive man metro news** - Jul 20 2023

web apr 15 2022 the perceived small quantity of male subs may stem from how the current cultural dialogue imposes gender stereotypes in which men should be in charge while women are expected to be submissive

*master slave relationship 23 rules how it works ideas to* - Sep 22 2023

web if you re wondering about some general ideas rules and guidelines for a master slave relationship here are some that you should keep in mind 1 understand what you want before you just agree to be in a master slave relationship know what you want from it think about what type of fantasy you want to be fulfilled

*owning and training a male slave pdf bdsm consent scribd* - Jun 19 2023

web it is a serious mistake for the mistress to believe that a male slave will behave as a slave should without detailed training backed up with persistent vigilance and punishment a slave needs rules and the sure knowledge that his mistress will punish him if he strays from them

[slave rules 1 51 flashcards cram com](#) - Jun 07 2022

web submission analysis to make it clearer this is more of what i expect in a submissive i want the submissive who takes pride in her submissiveness and the one who shares my ideal how did colonial americans gain their independence slave women are forced to comply to the white man s sexual needs or she would

*care and training of the male slave* - Mar 04 2022

web this page is aimed at the care and training of the male slave the development of the slave is a special process seeing him grow and move towards is rebirth as a pure slave components of this can be use for recreational slavery that is not living the sm life style but treating is as sport this is also valid as there are few real slaves who

**master slave relationship how to set the rules and follow them** - Jul 08 2022

web oct 20 2021 for the relationship between master and slave if you are a slave you need to find someone who respects your terms and boundaries so take the time to get to know your partner before doing something more intense 3 develop a common vision so your partner knows your vision which is great now they have an idea of what you want

**my 50 rules of submission for a slave 3341 words studymode** - May 06 2022

web my 50 rules of submission for a slave slave rules you will be expected to learn these 50 slave rules as part of slave training 1 it submits to the will of its master and it is bound to him it accepts his authority over it for its purpose is to serve obey and please its master

[128 basic slave rules pdf bdsm punishments scribd](#) - Dec 13 2022

web 128 basic slave rules free download as rtf pdf file pdf text file txt or read online for free 128 basic slave rules used in bdsm

*14 rules all male slaves must follow r mensrights reddit* - Aug 21 2023

web jun 11 2015 men s rights advocating for the social and legal equality of men and boys since 2008 at the most basic level men s rights are the legal rights that are granted to men however any issue that pertains to men s relationship to society is

**25 key slave rules pdf trust emotion emotions scribd** - Aug 09 2022

web know them and abide by them some rules may have more than one meaning if in doubt ask me the final authority is mine 25 key slave rules free download as word doc doc pdf file pdf text file txt or read online for free 25 key slave rules

*some rules for the working submissive submissive guide* - Oct 11 2022

web some rules for the working submissive written by kallista when you re working full time in a professional field the desire to submit can be impeded by a good number of obstacles as a submissive who balances my full time employment with my submissive role one of my chief concerns will always be finding a way to please my dominant while

**obedience training consensual enslavement** - Sep 10 2022

web obedience training is comprised of several parts it is a goal an all wrapped into one nice package obedience as a goal is obvious every owner wants their slave to be obedient to their commands this is an integral part of what enslavement is as property a slave is expected to obey their owner and to do or not do whatever their owner desires

*social studies 2008 student edition* - Apr 11 2023

web apr 7 2006 amazon com social studies 2008 student edition hardcover grade 4 regions 9780328239740 scott foresman books

**results for social studies regions scott foresman tpt** - Jun 01 2022

web scott foresman social studies grade 4 chapter 5 people of the northeast this chapter contained a lot of information and covered a large section of history from this first settlers

scott foresman social studies grade 4 regions - Aug 15 2023

web scott foresman social studies grade 4 regions text teacher s edition assessment book audiotext 12 every student learns teacher s guide learning

social studies 2011 student edition hardcover - Jul 02 2022

web this powerpoint aligns well with scott foresman s regions fourth grade textbook but also aligns well with the fourth grade social studies frameworks overall there are 6

**regions by scott foresman 2003 grade 4 assessment book** - Dec 27 2021

web 1 volume various pagings 29 cm due to a planned power outage on friday 1 14 between 8am 1pm pst some services may be impacted

scott foresman social studies grade 4 regions - Jun 13 2023

web social sciences study and teaching elementary history study and teaching elementary geography study and teaching elementary geography study and

regions vocabulary workbook scott foresman social studies - Mar 30 2022

web learn social studies grade 4 scott foresman with free interactive flashcards choose from 500 different sets of social studies grade 4 scott foresman flashcards on quizlet

**scott foresman social studies regions workbook amazon com** - Aug 03 2022

web jul 1 2009 social studies 2005 pupil edition grade 2 scott foresmen social studies 2005 scott foresman 4 7 out of 5 stars *scott foresman social studies grade 4 regions* - Nov 25 2021

web scott foresman social studies 4th grade regions ch 4 all note outline created by capturing bretches this is a fill in the blank outline for the notes for ch 4 of the 4th

social studies 2008 student edition hardcover - Dec 07 2022

web social studies 2013 spanish region student edition consumable grade 4 by scott foresman and a great selection of related books art and collectibles

**social studies regions by scott foresman abebooks** - Nov 06 2022

web social studies 2003 quick study grade 4 regions book read reviews from world s largest community for readers scott foresman editors worked with the smi

social studies grade 4 scott foresman flashcards quizlet - Feb 26 2022

web vocabulary words grade 4 chapter 2 scott foresmann learn with flashcards games and more for free

social studies regions scott foresman social studies - Feb 09 2023

web mar 20 2023 social studies 2003 quick study grade 4 regions by scott foresman 2003 pearson education scott foresman edition paperback regions

**amazon com social studies regions 9780328075713 scott** - May 12 2023

web jan 2 2004 grade level 4 and up item weight 3 3 pounds

**social studies 4 regions teacher edition amazon com** - Mar 10 2023

web jan 1 2008 social studies 4 regions teacher edition boyd 9780328239566 amazon com books buy used 109 20 free delivery thursday december 29

**social studies 2003 quick study grade 4 regions goodreads** - Oct 05 2022

web scott foresman social studies 4th grade regions ch 4 all note outline created by capturing bretches this is a fill in the blank outline for the notes for ch 4 of the 4th

scott foresman social studies regions grade 4 chapter 2 - Jan 28 2022

web jan 1 2003 regions by scott foresman 2003 grade 4 assessment book social studies scott foresman on amazon com free shipping on qualifying offers

**results for 4th grade social studies scott foresman tpt** - Sep 04 2022

web jan 16 2008 180 days of social studies grade 4 daily social studies workbook for classroom and home cool and fun civics practice elementary school level by

*regions workbook grade 4 quick study social studies by scott* - Jan 08 2023

web social studies 2008 student edition hardcover grade 4 regions scott foresman 9780328239740 abebooks

scott foresman social studies grade 4 regions teacher s edition - Jul 14 2023

web 3 6 4 ratings see all formats and editions spiral bound 2005 scott foresman social studies grade 4 regions teacher s edition te spiral by candy dawson boyd

**social studies scott foresman grade 4 teaching resources tpt** - Apr 30 2022

---

web mar 16 2023 social studies 2005 vocabulary workbook grade 4 regions by scott foresman 2004 scott foresman edition  
paperback in english

**scott foresman regions teaching resources tpt** - Oct 25 2021