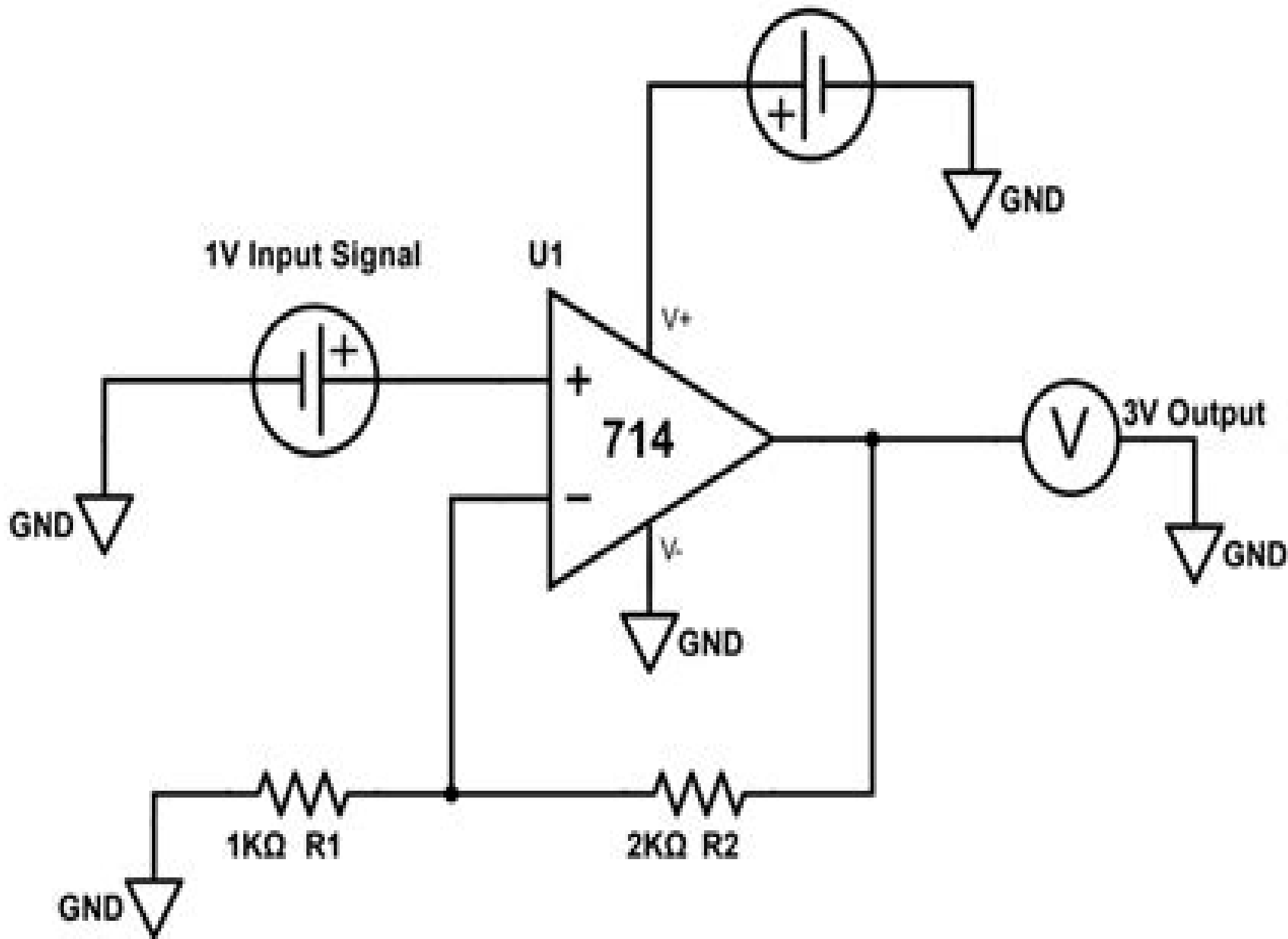


12V OPAMP Supply



1V Input Signal

U1

714

3V Output

1KΩ R1

2KΩ R2

Op Amp Circuit Design And Applications

**Johan Huijsing, Rudy J. van de
Plassche, Willy Sansen**



Op Amp Circuit Design And Applications:

Op Amps for Everyone Bruce Carter,2003-05-15 The operational amplifier op amp is the most versatile and widely used type of analog IC used in audio and voltage amplifiers signal conditioners signal converters oscillators and analog computing systems Almost every electronic device uses at least one op amp This book is Texas Instruments complete professional level tutorial and reference to operational amplifier theory and applications Among the topics covered are basic op amp physics including reviews of current and voltage division Thevenin s theorem and transistor models idealized op amp operation and configuration feedback theory and methods single and dual supply operation understanding op amp parameters minimizing noise in op amp circuits and practical applications such as instrumentation amplifiers signal conditioning oscillators active filters load and level conversions and analog computing There is also extensive coverage of circuit construction techniques including circuit board design grounding input and output isolation using decoupling capacitors and frequency characteristics of passive components The material in this book is applicable to all op amp ICs from all manufacturers not just TI Unlike textbook treatments of op amp theory that tend to focus on idealized op amp models and configuration this title uses idealized models only when necessary to explain op amp theory The bulk of this book is on real world op amps and their applications considerations such as thermal effects circuit noise circuit buffering selection of appropriate op amps for a given application and unexpected effects in passive components are all discussed in detail Published in conjunction with Texas Instruments A single volume professional level guide to op amp theory and applications Covers circuit board layout techniques for manufacturing op amp circuits

Op Amps: Design, Application, and Troubleshooting David Terrell,1996 Basic concepts of the integrated operational amplifier Amplifiers Voltage comparators Oscillators Active filters Power supply circuits Signal processing circuits Digital to analog and analog to digital conversion Arithmetic function circuits Nondideal op amp characteristics Specialized devices

Op Amp Applications Handbook Walt Jung,2004-12-15 Operational amplifiers play a vital role in modern electronics design The latest op amps have powerful new features making them more suitable for use in many products requiring weak signal amplification such as medical devices communications technology optical networks and sensor interfacing The Op Amp Applications Handbook may well be the ultimate op amp reference book available This book is brimming with up to date application circuits valuable design tips and in depth coverage of the latest techniques to simplify op amp circuit designs and improve their performance As an added bonus a selection on the history of op amp development provides an extensive and expertly researched overview of interest to anyone involved in this important area of electronics Seven major sections packed with technical information Anything an engineer will want to know about designing with op amps can be found in this book Op Amp Applications Handbook is a practical reference for a challenging engineering field

Op-amp Circuit Design & Applications Joseph J. Carr,1976 Operational Amplifier Circuits Eldredge Johnson Kennedy,1988 This complete text on op amp use and design discusses topics essential to the practicing

engineer that are not covered in comparable texts including error budget analysis noise analysis active filters and op amps with multiple poles The text can be used as a supplement in many electronics courses It has a practical emphasis and coverage of SPICE computer modeling satisfying the latest ABET recommendations for more design emphasis in EE courses It uses commercially available op amps rather than theoretical models in examples and problems to familiarize students with actual devices It also provides unusually extensive coverage of active filters one of the most significant current uses of op amps and includes data sheets for the most widely used op amps

Operational Amplifiers Jerald G. Graeme, Gene E. Tobey, Lawrence P. Huelsman, 1971 Differential amplifier stage signal characteristics Input error signals and thermal drifts of a differential stage The stages of an operational amplifier Multistage operational amplifiers Phase compensation Linear circuit applications Operational amplifiers in nonlinear circuits Active filters Analog digital digital analog and sampling networks Waveform generators Modulation and demodulation Fundamental circuit theory Definition and measurement of performance characteristics Sensitivity of active filters

Operational Amplifier Circuits David E. Johnson, V. Jayakumar, 1982

Circuit Design for Modern Applications A. Andrew Roobert, M. Venkatesh, Shiromani Balmukund Rahi, G. Lakshmi Priya, Samuel Tensingh, 2025-02-05 This book offers a clear exploration of cutting edge semiconductor circuit technologies and their practical applications It covers topics like advanced transistor design low power consumption techniques and high performance circuit design Circuit Design for Modern Applications explores the recent innovations in semiconductor technology Bandgap reference circuits quad model transistors voltage controlled oscillators LDO regulators power amplifiers low noise amplifiers operational amplifiers low power CNTFET based quaternary multipliers and STT MRAM based cache memory for multicore systems are discussed It points out the difficulties in designing CMOS analog and RF circuits for mmWave applications and looks into newly developed field effect transistors for an alternate solution Innovative devices such as III V material based HEMTs and junctionless FETs are discussed The book also looks at creative ways to improve circuit performance and energy efficiency which is a useful resource for academics researchers and industry experts working in semiconductors This book will help the readers to stay on the cutting edge of contemporary circuit design technologies covering various topics from fundamental circuit design to high performance circuits

Op Amp Applications Walter G. Jung, 2002 Operational amplifier applications principles and history

Analysis and Application of Analog Electronic Circuits to Biomedical Instrumentation, Second Edition Robert B. Northrop, 2012-03-02 Analysis and Application of Analog Electronic Circuits to Biomedical Instrumentation Second Edition helps biomedical engineers understand the basic analog electronic circuits used for signal conditioning in biomedical instruments It explains the function and design of signal conditioning systems using analog ICs the circuits that enable ECG EEG EMG ERG tomographic images biochemical spectrograms and other crucial medical applications This book demonstrates how op amps are the keystone of modern analog signal conditioning system design and illustrates how they can be used to build instrumentation amplifiers

active filters and many other biomedical instrumentation systems and subsystems It introduces the mathematical tools used to describe noise and its propagation through linear systems and it looks at how signal to noise ratios can be improved by signal averaging and linear filtering Features Analyzes the properties of photonic sensors and emitters and the circuits that power them Details the design of instrumentation amplifiers and medical isolation amplifiers Considers the modulation and demodulation of biomedical signals Examines analog power amplifiers including power op amps and class D switched PAs Describes wireless patient monitoring including Wi Fi and Bluetooth communication protocols Explores RFID GPS and ultrasonic tags and the design of fractal antennas Addresses special analog electronic circuits and systems such as phase sensitive rectifiers phase detectors and IC thermometers By explaining the building blocks of biomedical systems the author illustrates the importance of signal conditioning systems in the devices that gather and monitor patients critical medical information Fully revised and updated this second edition includes new chapters a glossary and end of chapter problems

What s New in This Edition Updated and revised material throughout the book A chapter on the applications circuits and characteristics of power amplifiers A chapter on wireless patient monitoring using UHF telemetry A chapter on RFID tags GPS tags and ultrasonic tags A glossary to help you decode the acronyms and terms used in biomedical electronics

physiology and biochemistry New end of chapter problems and examples

Analog Circuit Design Johan Huijsing, Rudy J. van de Plassche, Willy Sansen, 1992-12-31 This volume of Analog Circuit Design concentrates on three topics Operational Amplifiers A to D converters and Analog CAD The book comprises six papers on each topic written by internationally recognised experts These papers have a tutorial nature aimed at improving the design of analog circuits The book is divided into three parts Part I Operational Amplifiers presents new technologies for the design of Op Amps in both bipolar and CMOS technologies Two papers demonstrate techniques for improving frequency and gain behavior at high voltage Low voltage bipolar Op Amp design is treated in another paper The realization high speed and high gain VLSI building blocks in CMOS is demonstrated in two papers The final paper shows how to provide output power with CMOS buffer amplifiers Part II Analog to Digital Conversion presents papers which address very high conversion speeds and very high resolution implementations using sigma delta modulation architectures Analog to Digital converters provide the link between the analog world of transducers and the digital world of signal processing and computing High performance bipolar and MOS technologies result in high resolution or high speed convertors which can be applied in digital audio or video systems Furthermore the advanced high speed bipolar technologies show an increase in conversion speed into the gigahertz range Part III Analog Computer Aided Design presents the latest research towards providing analog circuit designers with the tools needed to automate much of the design process The techniques and methodologies described demonstrate the advances being made in developing analog design tools comparable with those already available for digital design The papers in this volume are based on those presented at the Workshop on Advances in Analog Circuit Design held in Delft The Netherlands in 1992 The

main intention of the workshop was to brainstorm with a group of about 100 analog design experts on the new possibilities and future developments on the above topics The result of this brainstorming is contained in Analog Circuit Design which is thus an important reference for researchers and design engineers working in the forefront of analog circuit design and research

Linear Integrated Circuits Robin Shannon, 2019-03-18 An analog chip is a set of miniature electronic analog circuits formed on a single piece of semiconductor material The voltage and current at specified points in the circuits of analog chips vary continuously in time In contrast digital chips only use and create voltages or currents at discrete levels with no intermediate values In addition to Transistors analog chips often have a larger number of passive elements than digital chips typically do Inductors tend to be avoided because of their large size and a transistor and capacitor together can do the work of an inductor The book broadly deals with Direct and capacitor coupled Opamp amplifiers Frequency response and compensation to improve the performance of Opamp circuits Voltage and current sources instrumentation amplifiers and precision rectifiers limiting and clamping circuits Log and antilog amplifiers etc The book covers the syllabus prescribed for B E Care is taken to develop the subject logically so that the book could also be used by B Sc and diploma students Neatly drawn diagrams stepwise illustrations and graded numerical examples are included in every chapter to support the contents

IC Op-Amp Cookbook Walter G. Jung, 1997 An industry classic This book covers basic OP AMP theory in excellent detail This edition includes Over 200 practical circuit applications An appendix containing manufacturers data sheets Material on instrumentation amps

Audio IC Op-amp Applications Walter G. Jung, 1986 Towers' International OpAmp Linear-IC Selector T. D. Towers, N. S. Towers, 1979

Handbook of Operational Amplifier Circuit Design David F. Stout, 1976 Introduction to operational amplifiers Fundamentals of circuit design using op amps Feedback stability Amplifiers Comparators Converters Demodulators and discriminators Detectors Differential amplifiers Low pass filters High pass filters Bandpass filters Bandstop filters Frequency control Integrators and differentiators Limiters and rectifiers Logarithmic circuits Modulators Oscillators Parameter enhancement and simulation Power circuits Regulators Sampling circuits Time and phase circuits Waveform generators Appendix Operational amplifier parameters Operational amplifier maximum ratings Circuit fabrication techniques Notation used in handbook Decibel calculations RC circuit characteristics

Introduction to Operational Amplifier Theory and Applications John V. Wait, Lawrence P. Huelsman, Granino Arthur Korn, 1975 For the practicing electrical engineer

Design of Analog Integrated Circuits and Systems Kenneth R. Laker, Willy M. C. Sansen, 1994 It follows with a thorough treatment of design operational and operational transconductance amplifiers and concludes with a unified presentation of sample data and continuous time signal processing systems

Design with Operational Amplifiers and Analog Integrated Circuits Sergio Franco, 2002 Franco's Design with Operational Amplifiers and Analog Integrated Circuits 3e is intended for a design oriented course in applications with operational amplifiers and analog ICs It also serves as a comprehensive reference for practicing engineers This new edition includes enhanced

pedagogy additional problems more in depth coverage of negative feedback more effective layout updated technology
current feedback and folded cascode amplifiers and low voltage amplifiers and increased topical coverage current feedback
amplifiers switching regulators and phase locked loops **Electronics** ,1945 June issues 1941 44 and Nov issue 1945
include a buyers guide section

The Enigmatic Realm of **Op Amp Circuit Design And Applications**: Unleashing the Language is Inner Magic

In a fast-paced digital era where connections and knowledge intertwine, the enigmatic realm of language reveals its inherent magic. Its capacity to stir emotions, ignite contemplation, and catalyze profound transformations is nothing in short supply of extraordinary. Within the captivating pages of **Op Amp Circuit Design And Applications** a literary masterpiece penned with a renowned author, readers set about a transformative journey, unlocking the secrets and untapped potential embedded within each word. In this evaluation, we shall explore the book's core themes, assess its distinct writing style, and delve into its lasting effect on the hearts and minds of those that partake in its reading experience.

https://staging.gilderlehrman.org/book/Resources/Download_PDFS/Nan%20Sherwood39s%20Winter%20Holidays%20Or%20Rescuing%20The%20Runaways%20Hardcover%20By%20Carr.pdf

Table of Contents Op Amp Circuit Design And Applications

1. Understanding the eBook Op Amp Circuit Design And Applications
 - The Rise of Digital Reading Op Amp Circuit Design And Applications
 - Advantages of eBooks Over Traditional Books
2. Identifying Op Amp Circuit Design And Applications
 - Exploring Different Genres
 - Considering Fiction vs. Non-Fiction
 - Determining Your Reading Goals
3. Choosing the Right eBook Platform
 - Popular eBook Platforms
 - Features to Look for in an Op Amp Circuit Design And Applications
 - User-Friendly Interface
4. Exploring eBook Recommendations from Op Amp Circuit Design And Applications
 - Personalized Recommendations
 - Op Amp Circuit Design And Applications User Reviews and Ratings

- Op Amp Circuit Design And Applications and Bestseller Lists
- 5. Accessing Op Amp Circuit Design And Applications Free and Paid eBooks
 - Op Amp Circuit Design And Applications Public Domain eBooks
 - Op Amp Circuit Design And Applications eBook Subscription Services
 - Op Amp Circuit Design And Applications Budget-Friendly Options
- 6. Navigating Op Amp Circuit Design And Applications eBook Formats
 - ePub, PDF, MOBI, and More
 - Op Amp Circuit Design And Applications Compatibility with Devices
 - Op Amp Circuit Design And Applications Enhanced eBook Features
- 7. Enhancing Your Reading Experience
 - Adjustable Fonts and Text Sizes of Op Amp Circuit Design And Applications
 - Highlighting and Note-Taking Op Amp Circuit Design And Applications
 - Interactive Elements Op Amp Circuit Design And Applications
- 8. Staying Engaged with Op Amp Circuit Design And Applications
 - Joining Online Reading Communities
 - Participating in Virtual Book Clubs
 - Following Authors and Publishers Op Amp Circuit Design And Applications
- 9. Balancing eBooks and Physical Books Op Amp Circuit Design And Applications
 - Benefits of a Digital Library
 - Creating a Diverse Reading Collection Op Amp Circuit Design And Applications
- 10. Overcoming Reading Challenges
 - Dealing with Digital Eye Strain
 - Minimizing Distractions
 - Managing Screen Time
- 11. Cultivating a Reading Routine Op Amp Circuit Design And Applications
 - Setting Reading Goals Op Amp Circuit Design And Applications
 - Carving Out Dedicated Reading Time
- 12. Sourcing Reliable Information of Op Amp Circuit Design And Applications
 - Fact-Checking eBook Content of Op Amp Circuit Design And Applications
 - Distinguishing Credible Sources

13. Promoting Lifelong Learning
 - Utilizing eBooks for Skill Development
 - Exploring Educational eBooks
14. Embracing eBook Trends
 - Integration of Multimedia Elements
 - Interactive and Gamified eBooks

Op Amp Circuit Design And Applications Introduction

In this digital age, the convenience of accessing information at our fingertips has become a necessity. Whether its research papers, eBooks, or user manuals, PDF files have become the preferred format for sharing and reading documents. However, the cost associated with purchasing PDF files can sometimes be a barrier for many individuals and organizations. Thankfully, there are numerous websites and platforms that allow users to download free PDF files legally. In this article, we will explore some of the best platforms to download free PDFs. One of the most popular platforms to download free PDF files is Project Gutenberg. This online library offers over 60,000 free eBooks that are in the public domain. From classic literature to historical documents, Project Gutenberg provides a wide range of PDF files that can be downloaded and enjoyed on various devices. The website is user-friendly and allows users to search for specific titles or browse through different categories. Another reliable platform for downloading Op Amp Circuit Design And Applications free PDF files is Open Library. With its vast collection of over 1 million eBooks, Open Library has something for every reader. The website offers a seamless experience by providing options to borrow or download PDF files. Users simply need to create a free account to access this treasure trove of knowledge. Open Library also allows users to contribute by uploading and sharing their own PDF files, making it a collaborative platform for book enthusiasts. For those interested in academic resources, there are websites dedicated to providing free PDFs of research papers and scientific articles. One such website is Academia.edu, which allows researchers and scholars to share their work with a global audience. Users can download PDF files of research papers, theses, and dissertations covering a wide range of subjects. Academia.edu also provides a platform for discussions and networking within the academic community. When it comes to downloading Op Amp Circuit Design And Applications free PDF files of magazines, brochures, and catalogs, Issuu is a popular choice. This digital publishing platform hosts a vast collection of publications from around the world. Users can search for specific titles or explore various categories and genres. Issuu offers a seamless reading experience with its user-friendly interface and allows users to download PDF files for offline reading. Apart from dedicated platforms, search engines also play a crucial role in finding free PDF files. Google, for instance, has an advanced search feature that allows users to filter results by file type. By specifying the file type as "PDF,"

users can find websites that offer free PDF downloads on a specific topic. While downloading Op Amp Circuit Design And Applications free PDF files is convenient, its important to note that copyright laws must be respected. Always ensure that the PDF files you download are legally available for free. Many authors and publishers voluntarily provide free PDF versions of their work, but its essential to be cautious and verify the authenticity of the source before downloading Op Amp Circuit Design And Applications. In conclusion, the internet offers numerous platforms and websites that allow users to download free PDF files legally. Whether its classic literature, research papers, or magazines, there is something for everyone. The platforms mentioned in this article, such as Project Gutenberg, Open Library, Academia.edu, and Issuu, provide access to a vast collection of PDF files. However, users should always be cautious and verify the legality of the source before downloading Op Amp Circuit Design And Applications any PDF files. With these platforms, the world of PDF downloads is just a click away.

FAQs About Op Amp Circuit Design And Applications Books

How do I know which eBook platform is the best for me? Finding the best eBook platform depends on your reading preferences and device compatibility. Research different platforms, read user reviews, and explore their features before making a choice. Are free eBooks of good quality? Yes, many reputable platforms offer high-quality free eBooks, including classics and public domain works. However, make sure to verify the source to ensure the eBook credibility. Can I read eBooks without an eReader? Absolutely! Most eBook platforms offer web-based readers or mobile apps that allow you to read eBooks on your computer, tablet, or smartphone. How do I avoid digital eye strain while reading eBooks? To prevent digital eye strain, take regular breaks, adjust the font size and background color, and ensure proper lighting while reading eBooks. What the advantage of interactive eBooks? Interactive eBooks incorporate multimedia elements, quizzes, and activities, enhancing the reader engagement and providing a more immersive learning experience. Op Amp Circuit Design And Applications is one of the best book in our library for free trial. We provide copy of Op Amp Circuit Design And Applications in digital format, so the resources that you find are reliable. There are also many Ebooks of related with Op Amp Circuit Design And Applications. Where to download Op Amp Circuit Design And Applications online for free? Are you looking for Op Amp Circuit Design And Applications PDF? This is definitely going to save you time and cash in something you should think about.

Find Op Amp Circuit Design And Applications :

[nan sherwood39s winter holidays or rescuing the runaways hardcover by carr](#)

[naked at gender gap a mans view of the war between the sexes](#)

[narratives adventures of travellers in](#)

[narcissa other fables inscribed](#)

name-dropping from fdr on

[nanosources and manipulation of atoms under high fields and temperatures applications](#)

myths and nationhood

naive malerei kuumlnstler werke tendenzen

[naked god pt. i flight](#)

[nagels great britain ireland travel guide](#)

[n or m mystery collection leatherette hardcover](#)

[napoleon and his collaborators the making of a dictatorship](#)

[napoleon and waterloo the emperors campaign with the armee du nord 1815](#)

[naboths vineyard the dominican republic 1844-1924 world affairs national and international viewpoints](#)

[naples and campani](#)

Op Amp Circuit Design And Applications :

[in company second edition elementary in company e pdf](#) - Jun 07 2022

web may 6 2023 in company second edition elementary in company e 1 8 downloaded from uniport edu ng on may 6 2023

by guest in company second edition elementary

singapore company incorporation company registration - Feb 03 2022

web then the tax rate grows gradually over time with your income generally corporate taxes for incorporation companies are only 8 5 up to s 300k profits and a flat 17 percent

list of secondary schools in singapore wikipedia - Mar 04 2022

web this is a list of secondary schools in singapore most secondary schools in singapore offer a four year express course special course for special assistance plan schools or a five

[in company elementary tb pdf scribd](#) - Aug 21 2023

web in company elementary tb free download as pdf file pdf or read online for free 2nd edition teachers book

[in company second edition elementary in company e pdf](#) - May 06 2022

web may 31 2023 in company second edition elementary in company e 2 8 downloaded from uniport edu ng on may 31 2023 by guest great applications for business school

in company 2nd edition language learning - Nov 12 2022

web feb 6 2016 date 2009 2013 pages 158 138 159 172 183 format pdf mp3 size 814mb in company second edition is a fast paced four level business english course

[in company elementary student s book cd rom pack 2nd](#) - Sep 22 2023

web for extra online practice for your students take a look at the new second edition in company practice online solution accompanying the popular in company series in

second edition in company elementary students book pdf - Oct 23 2023

web second edition in company elementary students book pdf free ebook download as pdf file pdf or read book online for free [spacex s starship reaches space for first time but explodes](#) - Jan 02 2022

web nov 18 2023 the two stage rocket ship blasted off from the elon musk owned company s starbase launch site near boca chica in texas east of brownsville on a planned 90

[sec 2 secondary books singapore openschoolbag](#) - Sep 10 2022

web assessment books for secondary english mathematics science chinese gce n level gce o level

in company second edition student book pack elementary - Sep 29 2021

web practical business skills work challenging real world tasks encourage learners to sharpen their communication skills units are clearly defined as topic or skills based new ph

[in company second edition the united knowledge](#) - Jul 20 2023

web in company second edition building on the success of the original edition the new edition of this fastpaced four level course for professionals develops key language skills

in company 3 0 pre intermediate student s book pack sciarium - Jul 08 2022

web sep 29 2016 second edition macmillan 159 p page 6 is missing it is a fast paced four level business english course for professional adults who need to

in company second edition teacher s book elementary - Apr 17 2023

web author s simon clarke series description practical business skills work challenging real world tasks encourage learners to sharpen their communication skills units are clearly

in company pre intermediate student s book sciarium - Oct 11 2022

web apr 13 2011 in company second edition is a fast paced four level business english course for professional adults who

need to communicate in everyday business situations

top education companies in singapore list ranking 2023 updated - Apr 05 2022

web who offer a range of products and services including elearning courses custom content instructional design lms solutions and mobile application development contact no 65

two dead after vehicle explosion at us canada border checkpoint - Dec 01 2021

web 1 day ago a speeding car crashed in flames on the bridge linking new york state and ontario at niagara falls on wednesday killing two people in the vehicle and sparking a

in company elementary student s book sciarium - May 18 2023

web jul 8 2011 details in company elementary second edition audio cd 1 audio category business english in company clarke simon macmillan 158 p it is a four level

in company business english sciarium - Jan 14 2023

web feb 3 2016 in company second edition is a fast paced four level business english course for professional adults who need to communicate in everyday business situations

in company elementary second edition audio cd 1 sciarium - Feb 15 2023

web apr 6 2012 second edition macmillan 159 p page 6 is missing it is a fast paced four level business english course for professional adults who need to

in company upper intermediate student s book pdf - Aug 09 2022

web second edition at the upper intermediate level topics texts and skills e g leading meetings and building relationships and first among equals have been chosen to

in company second edition elementary in company e - Mar 16 2023

web in company second edition elementary in company e in company aug 09 2023 in company elementary ist der 1 teil dem 3 weitere folgen eines englischlehrgangs

in company elementary teacher s book 2nd edition goodreads - Jun 19 2023

web jan 4 2010 in company elementary teacher s book 2nd edition simon clarke pete sharma mark powell 0 00 0 ratings0 reviews in company has established itself as the

educational institute license in singapore 2021 guide - Oct 31 2021

web cost of education according to a report by business standard education is more affordable in singapore approximately 20 25 cheaper than in the united states and united

second edition in company intermediate pdf scribd - Dec 13 2022

web second edition in company intermediate pdf 0 ratings 852 views 2 pages second edition in company intermediate

uploaded by iraklius ai enhanced description in the

andy ziker drum aerobics lehrmaterial cd 2 fur sc copy - Mar 30 2022

web feb 27 2023 andy ziker drum aerobics lehrmaterial cd 2 fur sc 1 7 downloaded from uniport edu ng on february 27 2023 by guest andy ziker drum aerobics

drum aerobics bk online audio ziker andy - Feb 09 2023

web aug 1 2010 andy ziker is a 38 year drumming veteran who has devoted his life to performing teaching and enticing others to join the ranks during a trip to new orleans

andy ziker drum aerobics - Jan 28 2022

web drum aerobics play along charts 3 for the road alternate energy amanda s samba back in the day bad sushi bahama mama biscuits and gravy chowdahead clam

andy ziker drum aerobics lehrmaterial cd 2 fur sc pdf - Apr 30 2022

web andy ziker drum aerobics lehrmaterial cd 2 fur sc pdf when people should go to the book stores search opening by shop shelf by shelf it is essentially it will certainly

andy ziker drum aerobics lehrmaterial cd 2 fur sc pdf - Sep 04 2022

web mar 23 2023 andy ziker drum aerobics lehrmaterial cd 2 fur sc 1 5 downloaded from uniport edu ng on march 23 2023 by guest andy ziker drum aerobics lehrmaterial

andy ziker drum aerobics lehrmaterial cd 2 fur sc pdf - Oct 05 2022

web apr 19 2023 andy ziker drum aerobics lehrmaterial cd 2 fur sc 2 6 downloaded from uniport edu ng on april 19 2023 by guest the revolutions of 1848 professor moggach

andy ziker drum aerobics lehrmaterial cd 2 fur sc copy - May 12 2023

web andy ziker drum aerobics lehrmaterial cd 2 fur sc fundamental immunology jul 06 2020 the defining reference work in immunology today is now available in an entirety

andy ziker drum aerobics lehrmaterial cd 2 fur sc uniport edu - Feb 26 2022

web jul 12 2023 ziker drum aerobics lehrmaterial cd 2 fur sc partner that we provide here and check out the link you could purchase lead andy ziker drum aerobics

drum aerobicsby andy ziker modern drummer magazine - Jan 08 2023

web dec 9 2011 book cd level all 19 99 with drum aerobics author andy ziker looks at drumming from a physical perspective a concept that all heavy players can understand and benefit from the package doesn t focus on metal thrash and punk at the exclusion of other styles however rather the 120 page book features a fifty two week

andy ziker drummer teacher author - Nov 06 2022

web andy ziker drummer teacher author welcome and thank you for visiting andyziker.com here you'll discover recordings drum books articles charts

andy ziker drum aerobics lehrmaterial cd 2 für sc pdf 2023 - Aug 15 2023

web andy ziker drum aerobics lehrmaterial cd 2 für sc pdf introduction andy ziker drum aerobics lehrmaterial cd 2 für sc pdf 2023

andy ziker drum aerobics lehrmaterial cd 2 für sc uniport.edu - Jul 14 2023

web jun 29 2023 andy ziker drum aerobics lehrmaterial cd 2 für sc 1 5 downloaded from uniport.edu.ng on june 29 2023 by guest andy ziker drum aerobics lehrmaterial cd

andyzikerdrumaerobicslehrmaterialcd2fürsc - Dec 27 2021

web andyzikerdrumaerobicslehrmaterialcd2fürsc 1 andyzikerdrumaerobicslehrmaterialcd2fürsc
andyzikerdrumaerobicslehrmaterialcd2fürsc

andy ziker drum aerobics lehrmaterial cd 2 für schlagzeug by - Apr 11 2023

web andy ziker drum aerobics lehrmaterial cd 2 für schlagzeug by andy ziker applications of the beats found in part 1 the funk up series is designed to improve your

drum aerobics by andy ziker alibris - Dec 07 2022

web buy drum aerobics by andy ziker online at alibris we have new and used copies available in 1 editions starting at 13.25 shop now the jazz waltz book cd by

andyzikerdrumaerobicslehrmaterialcd2fürsc.pdf - Mar 10 2023

web andyzikerdrumaerobicslehrmaterialcd2fürsc 1 andyzikerdrumaerobicslehrmaterialcd2fürsc

andy ziker drum aerobics lehrmaterial cd 2 für schlagzeug by - Jul 02 2022

web andy ziker drum aerobics lehrmaterial cd 2 für schlagzeug by andy ziker 2 cds ziker drum aerobics 2cd andy ziker's drum aerobics book is a 52 week one exercise

andy ziker drum aerobics lehrmaterial cd 2 für sc uniport.edu - Sep 23 2021

web jun 15 2023 andy ziker drum aerobics lehrmaterial cd 2 für sc 2 5 downloaded from uniport.edu.ng on june 15 2023 by guest build your bounce back ability nell mohny

andy ziker drum aerobics lehrmaterial cd 2 für schlagzeug by - Oct 25 2021

web andy ziker drum aerobics lehrmaterial cd 2 für schlagzeug by andy ziker a 52 week one exercise per day workout program for developing improving and maintaining drum

andyzikerdrumaerobicslehrmaterialcd2fürsc.full.pdf - Jun 01 2022

web punk funk scattered andy ziker drum aerobics lehrmaterial cd 2 für sc andy ziker drum aerobics lehrmaterial cd 2 für sc

copy andy ziker drum aerobics lehrmaterial cd 2

andy ziker drum aerobics lehrmaterial cd 2 fur sc hermann moisl - Jun 13 2023

web you could purchase guide andy ziker drum aerobics lehrmaterial cd 2 fur sc or acquire it as soon as feasible you could speedily download this andy ziker drum

andy ziker drum aerobics lehrmaterial cd 2 fur sc copy - Nov 25 2021

web jun 2 2023 andy ziker drum aerobics lehrmaterial cd 2 fur sc 1 1 downloaded from uniport edu ng on june 2 2023 by

guest andy ziker drum aerobics lehrmaterial cd 2 fur sc if you ally habit such a referred andy ziker drum aerobics

lehrmaterial cd 2 fur sc books that will meet the expense of you worth get the unquestionably

andy ziker drum aerobics lehrmaterial cd 2 fur sc pdf full pdf - Aug 03 2022

web andy ziker drum aerobics lehrmaterial cd 2 fur sc pdf introduction andy ziker drum aerobics lehrmaterial cd 2 fur sc pdf

full pdf title andy ziker drum aerobics lehrmaterial cd 2 fur sc pdf full pdf digitalworkgroup skidmore edu created date 9 15

2023 10 58 50 pm

carte routière n 502 angleterre nord midlands michelin - Sep 07 2023

web carte détaillée du nord et du centre de l angleterre éditée par michelin qui s étend jusqu à birmingham et coventry au

sud distances indiquées sur la carte tableau des distances et des temps de parcours plus index des villes inclus plans de

birmingham leeds manchester et liverpool également fournis légende mult

carte routière midlands angleterre nord n 402 amazon fr - Apr 02 2023

web michelin map england north midlands 11 44 32 il ne reste plus que 4 exemplaire s en stock d autres exemplaires sont en

cours d acheminement angleterre nord index des localités et agrandissements de birmingham leeds liverpool manchester

nombre de pages de l édition imprimée 17 pages langue anglais Éditeur

restaurants michelin istanbul le guide michelin turquie - Mar 21 2022

web istanbul restaurants restaurants étoilés bib gourmand assiette michelin et tous les restaurants michelin istanbul avis des

inspecteurs distinction michelin et informations pratiques disponibles en ligne

michelin carte régionale n 502 northern england the midlands - Jul 05 2023

web entre filatures et musées la carte région angleterre nord midlands est destinée à ceux qui souhaitent avoir une vision

globale de la région des grands axes comme des petites routes précision cartographique de l échelle au 1 400 000 et plans de

birmingham leeds manchester et liverpool

carte angleterre nord midlands michelin michelin texte en entier - Dec 30 2022

web jul 11 2020 en fait le livre a 1 pages the carte angleterre nord midlands michelin est libéré par la fabrication de

michelin vous pouvez consulter en ligne avec carte angleterre nord midlands michelin étape facile toutefois si vous désirez

garder pour ordinateur portable vous pouvez [carte angleterre nord midlands michelin sauver](#)

carte angleterre nord midlands michelin htaccess guide - May 23 2022

[web kindly say the carte angleterre nord midlands michelin is universally compatible with any devices to read michelin red guide 2020 california michelin 2020 05 looking for a great meal discover hundreds of tasty restaurants all recommended in the 2nd edition of the michelin guide california](#)

[northern england midlands collectif michelin amazon fr](#) - May 03 2023

[web entièrement mise à jour la carte northern england midlands michelin vous permettra de connaître toutes les informations routieres et touristiques utiles sur cette région pour optimiser vos déplacements un index des localites le tableau des distances et temps de parcours](#)

[carte pays de galles midlands angleterre sud ouest michelin](#) - Sep 26 2022

[web plus books carte pays de galles midlands angleterre carte angleterre nord midlands michelin by michelin carte pays de galles midlands carte pays de galles midlands angleterre sud ouest 503 pays de galles angleterre sud ouest carte routière carte pays de galles midlands angleterre sud ouest michelin](#)

53 adresses illuminent la première sélection du guide michelin - Apr 21 2022

[web michelin a le plaisir de présenter la toute première sélection de restaurants du guide michelin istanbul 2023 avec 53 établissements recommandés la scène a la carte la cheffe zeynep pınar taşdemir signe une cuisine particulièrement marquée et audacieuse qui fait la part belle aux légumes](#)

wales south west england midlands michelin editions - Feb 17 2022

[web entièrement mise à jour la carte wales south west england midlands michelin vous permettra de connaître toutes les informations routieres et touristiques utiles sur cette région pour optimiser vos déplacements un index des localites le tableau des distances et temps de parcours](#)

[england northern midlands michelin 9782067183230](#) - Mar 01 2023

[web order your michelin england northern midlands map now from your specialized travel bookstore](#)

[northern england midlands michelin editions](#) - Oct 08 2023

[web entièrement mise à jour la carte northern england midlands michelin vous permettra de connaître toutes les informations routieres et touristiques utiles sur cette région pour optimiser vos déplacements un index des localites le tableau des distances et temps de parcours](#)

[carte pays de galles midlands angleterre sud ouest michelin by michelin](#) - Nov 28 2022

[web sep 23 2023 wales the midlands achat carte sud angleterre pas cher ou d occasion rakuten carte pays de galles midlands angleterre pour 5 angleterre geographie pays de galles gographie physique gologie montagnes carte angleterre sud](#)

est midlands est anglie michelin cartes royaume uni grande bretagne achat

carte angleterre nord midlands michelin by michelin - Aug 26 2022

web jun 17 2023 this carte angleterre nord midlands michelin by michelin as one of the most working sellers here will totally be accompanied by the best options to review in the

amazon co jp carte angleterre nord midlands michelin - Oct 28 2022

web [XXXXXXXXXXXXXXXXXX](#)

carte michelin royaume uni viamichelin - Aug 06 2023

web le plan united kingdom viamichelin visualisez les fameuses cartes michelin riches d une expérience de plus d un siècle la carte michelin royaume uni plans de ville carte routière et carte touristique royaume uni avec les hôtels les sites touristiques et les restaurants michelin royaume uni

carte angleterre nord midlands michelin - Jul 25 2022

web collections carte angleterre nord midlands michelin that we will enormously offer it is not with reference to the costs its about what you need currently this carte angleterre nord midlands michelin as one of the most vigorous sellers here will definitely be among the best options to review the big breach richard tomlinson 2001 richard

michelin istanbul map viamichelin - Jun 23 2022

web the michelin istanbul map istanbul town map road map and tourist map with michelin hotels tourist sites and restaurants for istanbul

carte régionale 502 angleterre nord michelin boutique de l - Jun 04 2023

web la carte angleterre nord michelin vous permettra de connaître toutes les informations routières et touristiques utiles sur cette région pour optimiser vos déplacements un index des localités le tableau des distances et temps de parcours

carte angleterre plan angleterre routard com - Jan 31 2023

web carte angleterre et plan angleterre le guide du routard angleterre en ligne vous propose toutes les informations pratiques culturelles carte angleterre plan angleterre photos angleterre