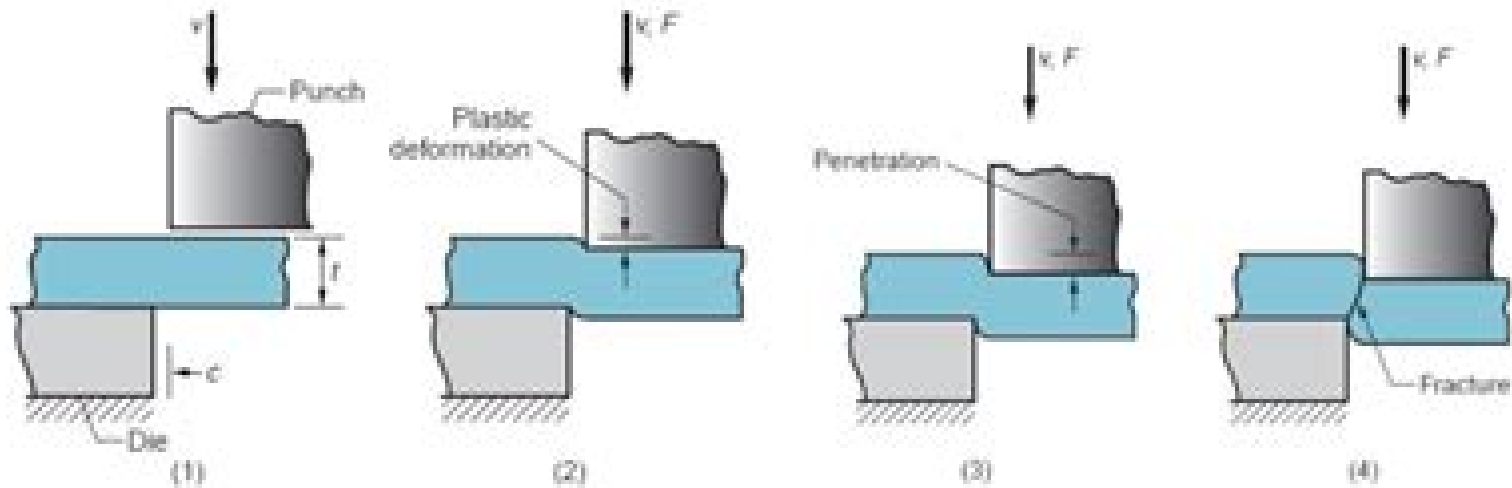


Shearing of sheet metal between two cutting edges



More Cutting Edge Metal

**University of Illinois (Urbana-
Champaign campus). Engineering
Experiment Station**



More Cutting Edge Metal:

The Watchmakers' Lathe Ward L. Goodrich,1903 **An Introduction to Zooarchaeology** Diane Gifford-Gonzalez,2018-04-03 This volume is a comprehensive critical introduction to vertebrate zooarchaeology the field that explores the history of human relations with animals from the Pliocene to the Industrial Revolution The book is organized into five sections each with an introduction that leads the reader systematically through this swiftly expanding field Section One presents a general introduction to zooarchaeology key definitions and an historical survey of the emergence of zooarchaeology in the Americas Europe Asia and Africa and introduces the conceptual approach taken in the book This volume is designed to allow readers to integrate data from the book along with that acquired elsewhere within a coherent analytical framework Most of its chapters take the form of critical review articles providing a portal into both the classic and current literature and contextualizing these with original commentary Summaries of findings are enhanced by profuse illustrations by the author and others Scientific American ,1874 **Mechanical World** ,1920 **Platers' Guide** ,1924

English Mechanic and Mirror of Science and Art ,1910 Popular Science ,1972-10 Popular Science gives our readers the information and tools to improve their technology and their world The core belief that Popular Science and our readers share The future is going to be better and science and technology are the driving forces that will help make it better

English Mechanic and World of Science ,1874 **American Machinist** ,1921 **Industrial Gases** ,1922 **Metals Handbook** American Society for Metals,1928 **The Encyclopaedia Britannica** ,1911 Industry Week ,1908

Bulletin ,1917 **Bulletin - Engineering Experiment Station** University of Illinois (Urbana-Champaign campus). Engineering Experiment Station,1917 **Bulletin** University of Illinois (Urbana-Champaign campus). Engineering Experiment Station,1917 Iron Trade Review ,1907 **Machinery** Fred Herbert Colvin,Lester Gray French,1906

Hydraulic Experiments with Valves, Orifices, Hose, Nozzles, and Orifice Buckets University of Illinois (Urbana-Champaign campus). Engineering Experiment Station,Arthur Cutts Willard,Arthur Newell Talbot,Edward Charles Schmidt,University of Illinois (Urbana-Champaign campus). Hydraulic Laboratory,University of Illinois at Urbana-Champaign. Engineering Experiment Station,Wilbur M. Wilson,Harrison Frederick Gonnerman,Herbert Fisher Moore,John McBeath Snodgrass,Lester Clyde Lichty,Otto Sternoff Beyer,1918 Machinery and Production Engineering ,1927

Thank you very much for reading **More Cutting Edge Metal**. As you may know, people have search hundreds times for their favorite novels like this More Cutting Edge Metal, but end up in infectious downloads.

Rather than reading a good book with a cup of tea in the afternoon, instead they are facing with some malicious virus inside their desktop computer.

More Cutting Edge Metal is available in our digital library an online access to it is set as public so you can download it instantly.

Our digital library saves in multiple countries, allowing you to get the most less latency time to download any of our books like this one.

Merely said, the More Cutting Edge Metal is universally compatible with any devices to read

<https://staging.gilderlehrman.org/public/scholarship/default.aspx/without%20experience%20how%20to%20create%20ai%20powered%20saas%20in%20the%20united%20states%20batch61%20475.pdf>

Table of Contents More Cutting Edge Metal

1. Understanding the eBook More Cutting Edge Metal
 - The Rise of Digital Reading More Cutting Edge Metal
 - Advantages of eBooks Over Traditional Books
2. Identifying More Cutting Edge Metal
 - Exploring Different Genres
 - Considering Fiction vs. Non-Fiction
 - Determining Your Reading Goals
3. Choosing the Right eBook Platform
 - Popular eBook Platforms
 - Features to Look for in an More Cutting Edge Metal
 - User-Friendly Interface
4. Exploring eBook Recommendations from More Cutting Edge Metal

- Personalized Recommendations
 - More Cutting Edge Metal User Reviews and Ratings
 - More Cutting Edge Metal and Bestseller Lists
5. Accessing More Cutting Edge Metal Free and Paid eBooks
 - More Cutting Edge Metal Public Domain eBooks
 - More Cutting Edge Metal eBook Subscription Services
 - More Cutting Edge Metal Budget-Friendly Options
 6. Navigating More Cutting Edge Metal eBook Formats
 - ePub, PDF, MOBI, and More
 - More Cutting Edge Metal Compatibility with Devices
 - More Cutting Edge Metal Enhanced eBook Features
 7. Enhancing Your Reading Experience
 - Adjustable Fonts and Text Sizes of More Cutting Edge Metal
 - Highlighting and Note-Taking More Cutting Edge Metal
 - Interactive Elements More Cutting Edge Metal
 8. Staying Engaged with More Cutting Edge Metal
 - Joining Online Reading Communities
 - Participating in Virtual Book Clubs
 - Following Authors and Publishers More Cutting Edge Metal
 9. Balancing eBooks and Physical Books More Cutting Edge Metal
 - Benefits of a Digital Library
 - Creating a Diverse Reading Collection More Cutting Edge Metal
 10. Overcoming Reading Challenges
 - Dealing with Digital Eye Strain
 - Minimizing Distractions
 - Managing Screen Time
 11. Cultivating a Reading Routine More Cutting Edge Metal
 - Setting Reading Goals More Cutting Edge Metal
 - Carving Out Dedicated Reading Time
 12. Sourcing Reliable Information of More Cutting Edge Metal

- Fact-Checking eBook Content of More Cutting Edge Metal
 - Distinguishing Credible Sources
13. Promoting Lifelong Learning
- Utilizing eBooks for Skill Development
 - Exploring Educational eBooks
14. Embracing eBook Trends
- Integration of Multimedia Elements
 - Interactive and Gamified eBooks

More Cutting Edge Metal Introduction

In today's digital age, the availability of More Cutting Edge Metal books and manuals for download has revolutionized the way we access information. Gone are the days of physically flipping through pages and carrying heavy textbooks or manuals. With just a few clicks, we can now access a wealth of knowledge from the comfort of our own homes or on the go. This article will explore the advantages of More Cutting Edge Metal books and manuals for download, along with some popular platforms that offer these resources. One of the significant advantages of More Cutting Edge Metal books and manuals for download is the cost-saving aspect. Traditional books and manuals can be costly, especially if you need to purchase several of them for educational or professional purposes. By accessing More Cutting Edge Metal versions, you eliminate the need to spend money on physical copies. This not only saves you money but also reduces the environmental impact associated with book production and transportation. Furthermore, More Cutting Edge Metal books and manuals for download are incredibly convenient. With just a computer or smartphone and an internet connection, you can access a vast library of resources on any subject imaginable. Whether you're a student looking for textbooks, a professional seeking industry-specific manuals, or someone interested in self-improvement, these digital resources provide an efficient and accessible means of acquiring knowledge. Moreover, PDF books and manuals offer a range of benefits compared to other digital formats. PDF files are designed to retain their formatting regardless of the device used to open them. This ensures that the content appears exactly as intended by the author, with no loss of formatting or missing graphics. Additionally, PDF files can be easily annotated, bookmarked, and searched for specific terms, making them highly practical for studying or referencing. When it comes to accessing More Cutting Edge Metal books and manuals, several platforms offer an extensive collection of resources. One such platform is Project Gutenberg, a nonprofit organization that provides over 60,000 free eBooks. These books are primarily in the public domain, meaning they can be freely distributed and downloaded. Project Gutenberg offers a wide range of classic literature, making it an excellent resource for literature enthusiasts. Another popular platform for More

Cutting Edge Metal books and manuals is Open Library. Open Library is an initiative of the Internet Archive, a non-profit organization dedicated to digitizing cultural artifacts and making them accessible to the public. Open Library hosts millions of books, including both public domain works and contemporary titles. It also allows users to borrow digital copies of certain books for a limited period, similar to a library lending system. Additionally, many universities and educational institutions have their own digital libraries that provide free access to PDF books and manuals. These libraries often offer academic texts, research papers, and technical manuals, making them invaluable resources for students and researchers. Some notable examples include MIT OpenCourseWare, which offers free access to course materials from the Massachusetts Institute of Technology, and the Digital Public Library of America, which provides a vast collection of digitized books and historical documents. In conclusion, More Cutting Edge Metal books and manuals for download have transformed the way we access information. They provide a cost-effective and convenient means of acquiring knowledge, offering the ability to access a vast library of resources at our fingertips. With platforms like Project Gutenberg, Open Library, and various digital libraries offered by educational institutions, we have access to an ever-expanding collection of books and manuals. Whether for educational, professional, or personal purposes, these digital resources serve as valuable tools for continuous learning and self-improvement. So why not take advantage of the vast world of More Cutting Edge Metal books and manuals for download and embark on your journey of knowledge?

FAQs About More Cutting Edge Metal Books

1. Where can I buy More Cutting Edge Metal books? Bookstores: Physical bookstores like Barnes & Noble, Waterstones, and independent local stores. Online Retailers: Amazon, Book Depository, and various online bookstores offer a wide range of books in physical and digital formats.
2. What are the different book formats available? Hardcover: Sturdy and durable, usually more expensive. Paperback: Cheaper, lighter, and more portable than hardcovers. E-books: Digital books available for e-readers like Kindle or software like Apple Books, Kindle, and Google Play Books.
3. How do I choose a More Cutting Edge Metal book to read? Genres: Consider the genre you enjoy (fiction, non-fiction, mystery, sci-fi, etc.). Recommendations: Ask friends, join book clubs, or explore online reviews and recommendations. Author: If you like a particular author, you might enjoy more of their work.
4. How do I take care of More Cutting Edge Metal books? Storage: Keep them away from direct sunlight and in a dry environment. Handling: Avoid folding pages, use bookmarks, and handle them with clean hands. Cleaning: Gently dust

- the covers and pages occasionally.
5. Can I borrow books without buying them? Public Libraries: Local libraries offer a wide range of books for borrowing. Book Swaps: Community book exchanges or online platforms where people exchange books.
 6. How can I track my reading progress or manage my book collection? Book Tracking Apps: Goodreads, LibraryThing, and Book Catalogue are popular apps for tracking your reading progress and managing book collections. Spreadsheets: You can create your own spreadsheet to track books read, ratings, and other details.
 7. What are More Cutting Edge Metal audiobooks, and where can I find them? Audiobooks: Audio recordings of books, perfect for listening while commuting or multitasking. Platforms: Audible, LibriVox, and Google Play Books offer a wide selection of audiobooks.
 8. How do I support authors or the book industry? Buy Books: Purchase books from authors or independent bookstores. Reviews: Leave reviews on platforms like Goodreads or Amazon. Promotion: Share your favorite books on social media or recommend them to friends.
 9. Are there book clubs or reading communities I can join? Local Clubs: Check for local book clubs in libraries or community centers. Online Communities: Platforms like Goodreads have virtual book clubs and discussion groups.
 10. Can I read More Cutting Edge Metal books for free? Public Domain Books: Many classic books are available for free as they're in the public domain. Free E-books: Some websites offer free e-books legally, like Project Gutenberg or Open Library.

Find More Cutting Edge Metal :

[without experience how to create AI powered SaaS in the United States BATCH61-475](#)

[step by step guide to create online course using AI for beginners BATCH61-1364](#)

free way to use AI for TikTok growth in 2026 BATCH61-2441

easy method to optimize website content using AI with free tools BATCH61-2037

easy method to use AI for blogging for small business owners BATCH61-2214

step by step guide to offer AI services to clients step by step BATCH61-2273

[affordable way to offer AI services to clients in the United States BATCH61-1438](#)

[free way to build website using AI for beginners BATCH61-2236](#)

[low budget way to grow email list using AI that actually works BATCH61-59](#)

proven strategy to build AI automation agency for content creators BATCH61-480

low budget way to create online course using AI in the United States BATCH61-1479
complete beginner guide to use AI for small business for content creators BATCH61-661
easy method to use AI for Instagram marketing without paid ads BATCH61-1348
best way to use AI for ecommerce store organically BATCH61-1326
complete beginner guide to create AI chatbot for business without paid ads BATCH61-736

More Cutting Edge Metal :

Thou art god vocal score [PDF] thou art god vocal score. 2011-11-13. 13/15 thou art god vocal score. The Voice in the Paint. 2023-04-25. Gideon, an oratorio. [Vocal score.] 1875. Unexpected ... Thou art God (High Solo) by Lionel Bou Buy Thou art God (High Solo) by Lionel Bou at jwpepper.com. Piano/Vocal Sheet Music. Thou Art God (SATB) by BECK Buy Thou Art God (SATB) by BECK at jwpepper.com. Choral Sheet Music. Thou art God (solo/high) - Lionel Bourne An easy anthem for high voice and piano or organ, this piece has a haunting simplicity with a flowing tune over a gently rocking accompaniment. Thou art God - Lionel Bourne Thou art God. High voice vocal score. Lionel Bourne. An easy anthem for high voice and piano or organ, this piece has a haunting simplicity with a flowing tune ... Stainer, John - Lord, Thou Art God (Vocal Score) Sheet Music - £3.50 - Stainer, John - Lord, Thou Art God (Vocal Score) Thou art God - Choir An easy anthem for upper voices with organ, plus optional flute and oboe. The music has a haunting simplicity with a flowing tune over a gently rocking ... Thou art God: 9780193511576: Musical Instruments Thou art God, An easy anthem for upper voices with organ, plus optional flute and oboe. The music has a haunting simplicity with a flowing tune over a ... Thou Art God John Ness Beck Choral Sheet Music ... Thou Art God John Ness Beck Choral Sheet Music Church Choir Octavo FD9 2886 ; Quantity. 2 available ; Item Number. 295954232800 ; Format. Piano Score, Sheet Music, ... Edexcel GCSE ICT Revision Guide ... This book is good for revision and has great end of unit summary questions, but they give little detail when explaining things which, if you're revising for ... Digital Devices - Part 1 - Edexcel IGCSE ICT 9-1 - YouTube Edexcel IGCSE - ICT - Chapter 1 - Lesson 1 Digital Devices ... GCSE ICT This unit provides an introduction to the modern online world. We will base the course around your current knowledge and build on it to investigate a range ... Edexcel GCSE ICT Revision Guide & Workbook Sample Edexcel GCSE ICT Revision Guide & Workbook Sample - Free download as PDF File (.pdf), Text File (.txt) or read online for free. This is our GCSE ICT sample ... Roger Crawford - Edexcel international GCSE ... Jan 5, 2019 — Check Pages 1-50 of Roger Crawford - Edexcel international GCSE ICT. Revision guide (2013, Pearson Education) in the flip PDF version. GCSE ICT Revision Guides Is the GCSE ICT exam looming? Revise and ace the exams with our adaptive GCSE ICT revision guides and flashcards. Top GCSE ICT Flashcards Ranked by Quality. IGCSE Edexcel ICT Revision Guide Digital • A digital video camera or camcorder records moving images with sound. Recordings can be saved on a memory card or built-in hard disk, and input

to a ... International-GCSE-ICT-Student-Book-sample.pdf You can personalise your ActiveBook with notes, highlights and links to your wider reading. It is perfect for supporting your coursework and revision activities ... ICT GCSE Edexcel Chapter 1 - Living in a Digital World GCSE ICT revision notes. 0.0 / 5. ICT GCSE EDEXCEL REVISION. 3.0 / 5 based on 2 ratings. See all ICT resources »See all Communications resources ... Discovering Grammar - Anne Lobeck ... grammar through a unique discovery approach that encompasses both critical thinking and text analysis. Ideal for courses in the structure of English, this book ... Discovering Grammar: An Introduction... by Anne C. Lobeck Discovering Grammar: An Introduction to English Sentence Structure encourages students to explore grammar through a unique "discovery" approach that ... An Introduction to English Sentence Structure by Anne C. ... Discovering Grammar: An Introduction to English Sentence Structure by Anne C. Lobeck (2000-02-17) on Amazon.com. *FREE* shipping on qualifying offers. Discovering Grammar: An Introduction to English Sentence ... Anne C. Lobeck ... Discovering Grammar: An Introduction to English Sentence Structure encourages students to explore grammar through a unique "discovery" approach ... Discovering Grammar: An Introduction to English Sentence ... Discovering Grammar: An Introduction to English Sentence Structure encourages students to explore grammar through a unique "discovery" approach that ... Discovering Grammar: An Introduction to English... book by Anne C. Lobeck. Discovering Grammar: An Introduction to English Sentence Structure encourages students to explore grammar through a unique discovery ... Discovering Grammar: An Introduction to English Sentence ... Anne C. Lobeck ... Synopsis: Discovering Grammar: An Introduction to English Sentence Structure encourages students to explore grammar through a unique "discovery ... An Introduction to English Sentence Structure by Anne ... Discovering Grammar : An Introduction to English Sentence Structure by Anne Lobeck (2000, Hardcover). 4.01 product rating. discover-books 98.6% Positive ... Discovering Grammar: An Introduction to English Sentence ... Anne Lobeck is at Western Washington University. Bibliographic information. Title, Discovering Grammar: An Introduction to English Sentence Structure. Authors ...