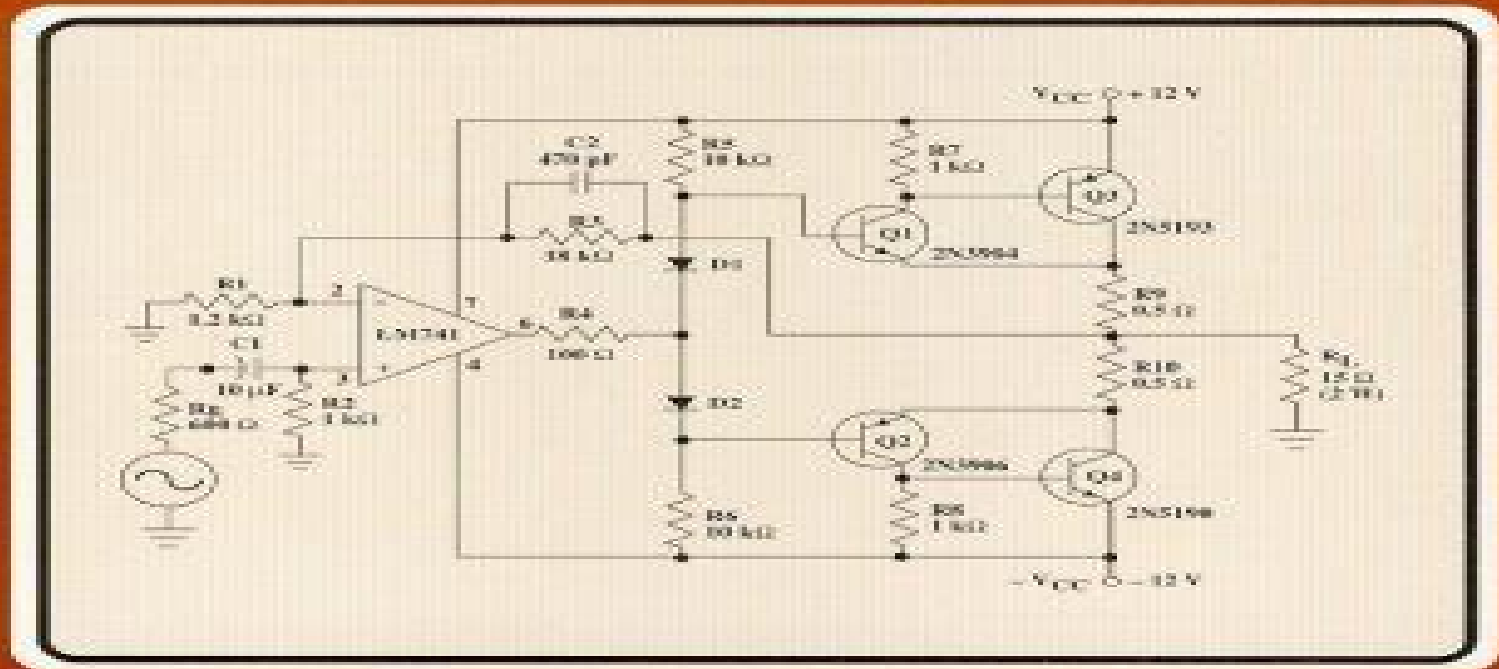


# PRACTICAL CIRCUIT ANALYSIS OF AMPLIFIERS



Lorne MacDonald

# Practical Circuit Analysis Of Amplifiers

**Amir M. Sodagar**



## **Practical Circuit Analysis Of Amplifiers:**

*Practical Circuit Analysis of Amplifiers* Lorne MacDonald,1994-03-01      *Practical Analysis of Amplifier Circuits Through Experimentation* Lorne MacDonald,1981-01-01      **Electronic Circuit Analysis** B. Visvesvara Rao,2012 Electronic Circuit Analysis is designed to serve as a textbook for a two semester undergraduate course on electronic circuit analysis It builds on the subject from its basic principles over fifteen chapters providing detailed coverage on the design and analysis of electronic circuits      *Electronic Circuit Analysis using LTSpice XVII Simulator* Pooja Mohindru,Pankaj Mohindru,2021-08-18 This text discusses simulation process for circuits including clamper voltage and current divider transformer modeling transistor as an amplifier transistor as a switch MOSFET modeling RC and LC filters step and impulse response to RL and RC circuits amplitude modulator in a step by step manner for more clarity and understanding to the readers It covers electronic circuits like rectifiers RC filters transistor as an amplifier operational amplifiers pulse response to a series RC circuit time domain simulation with a triangular input signal and modulation in detail The text presents issues that occur in practical implementation of various electronic circuits and assist the readers in finding solutions to those issues using the software Aimed at undergraduate graduate students and academic researchers in the areas including electrical and electronics and communications engineering this book Discusses simulation of analog circuits and their behavior for different parameters Covers AC DC circuit modeling using regular and parametric sweep methods The theory will be augmented with practical electrical circuit examples that will help readers to better understand the topic Discusses circuits like rectifiers RC filters transistor as an amplifier and operational amplifiers in detail      **Fundamentals of Electronics** Erkan Yuce,Shahram Minaei,2025-11-02 This book enables readers to become familiar with the concept of basic electronic circuits First basic electrical circuit elements including resistors capacitors and inductors are introduced Additionally examples of independent and dependent current and voltage sources are provided Various examples illustrate solid state electronics Ideal and practical diode circuits are discussed with multiple examples DC and AC analyses of amplifiers based on bipolar junction transistors BJTs and metal oxide semiconductor field effect transistors MOSFETs are also be covered This book provides readers with a solid foundation in basic electronics concepts and offers over 140 detailed examples to reinforce understanding The clear straightforward language makes complex topics easier to grasp and the inclusion of numerous problem solving exercises helps students and researchers develop practical skills they can apply in real scenarios Introduces readers to key fundamentals of circuit analysis and amplifier design Uses over 140 examples to explain concepts being introduced Uses simple language to make the content accessible by readers with varying backgrounds      *Electronic Circuit Analysis: Rao,2011* Electronic Circuit Analysis is designed to serve students of a two semester undergraduate course on electronic circuit analysis It builds on the subject from its basic principles over fifteen chapters providing detailed coverage on the design and analysis of electronic circuits      **Practical Analysis of Amplifier Circuits Through Experimentation**

Lorne MacDonald,1975      **Electrical Circuit Analysis MCQ (Multiple Choice Questions)** Arshad Iqbal, The Electrical Circuit Analysis Multiple Choice Questions MCQ Quiz with Answers PDF Electrical Circuit Analysis MCQ PDF Download Quiz Questions Chapter 1 30 Practice Tests with Answer Key Electronics Questions Bank MCQs Notes includes revision guide for problem solving with hundreds of solved MCQs Electrical Circuit Analysis MCQ with Answers PDF book covers basic concepts analytical and practical assessment tests Electrical Circuit Analysis MCQ PDF book helps to practice test questions from exam prep notes The Electrical Circuit Analysis MCQs with Answers PDF eBook includes revision guide with verbal quantitative and analytical past papers solved MCQs Electrical Circuit Analysis Multiple Choice Questions and Answers MCQs PDF Free download chapter 1 a book covers solved quiz questions and answers on chapters Applications of Laplace transform ac power ac power analysis amplifier and operational amplifier circuits analysis method applications of Laplace transform basic concepts basic laws capacitors and inductors circuit concepts circuit laws circuit theorems filters and resonance first order circuits Fourier series Fourier transform frequency response higher order circuits and complex frequency introduction to electric circuits introduction to Laplace transform magnetically coupled circuits methods of analysis mutual inductance and transformers operational amplifiers polyphase circuits second order circuits sinusoidal steady state analysis sinusoids and phasors three phase circuits two port networks waveform and signals tests for college and university revision guide Electrical Circuit Analysis Quiz Questions and Answers PDF free download eBook s sample covers beginner s solved questions textbook s study notes to practice online tests The book Electrical Circuit Analysis MCQs Chapter 1 30 PDF includes high school question papers to review practice tests for exams Electrical Circuit Analysis Multiple Choice Questions MCQ with Answers PDF digital edition eBook a study guide with textbook chapters tests for NEET Jobs Entry Level competitive exam Electrical Circuit Analysis Mock Tests Chapter 1 30 eBook covers problem solving exam tests from electronics engineering textbook and practical eBook chapter wise as Chapter 1 AC Power MCQ Chapter 2 AC Power Analysis MCQ Chapter 3 Amplifier and Operational Amplifier Circuits MCQ Chapter 4 Analysis Method MCQ Chapter 5 Applications of Laplace Transform MCQ Chapter 6 Basic Concepts MCQ Chapter 7 Basic laws MCQ Chapter 8 Capacitors and Inductors MCQ Chapter 9 Circuit Concepts MCQ Chapter 10 Circuit Laws MCQ Chapter 11 Circuit Theorems MCQ Chapter 12 Filters and Resonance MCQ Chapter 13 First Order Circuits MCQ Chapter 14 Fourier Series MCQ Chapter 15 Fourier Transform MCQ Chapter 16 Frequency Response MCQ Chapter 17 Higher Order Circuits and Complex Frequency MCQ Chapter 18 Introduction to Electric Circuits MCQ Chapter 19 Introduction to Laplace Transform MCQ Chapter 20 Magnetically Coupled Circuits MCQ Chapter 21 Methods of Analysis MCQ Chapter 22 Mutual Inductance and Transformers MCQ Chapter 23 Operational Amplifiers MCQ Chapter 24 Polyphase Circuits MCQ Chapter 25 Second Order Circuits MCQ Chapter 26 Sinusoidal Steady State Analysis MCQ Chapter 27 Sinusoids and Phasors MCQ Chapter 28 Three Phase circuits MCQ Chapter 29 Two Port Networks MCQ Chapter 30 Waveform and Signals MCQ The AC Power MCQ PDF e Book Chapter

1 practice test to solve MCQ questions on Apparent power and power factor applications average or real power complex power complex power apparent power and power triangle effective or RMS value exchange of energy between inductor and capacitor instantaneous and average power maximum power transfer power factor correction power factor improvement power in sinusoidal steady state power in time domain and reactive power The AC Power Analysis MCQ PDF e Book Chapter 2 practice test to solve MCQ questions on Apparent power and power factor applications complex power effective or RMS value instantaneous and average power and power factor correction The Amplifier and Operational Amplifier Circuits MCQ PDF e Book Chapter 3 practice test to solve MCQ questions on Amplifiers introduction analog computers comparators differential and difference amplifier integrator and differentiator circuits inverting circuits low pass filters non inverting circuits operational amplifiers summing circuits and voltage follower The Analysis Method MCQ PDF e Book Chapter 4 practice test to solve MCQ questions on Branch current method maximum power transfer theorem mesh current method Millman s theorem node voltage method Norton s theorem superposition theorem and Thevenin s theorem The Applications of Laplace Transform MCQ PDF e Book Chapter 5 practice test to solve MCQ questions on Circuit analysis introduction network stability network synthesis and state variables The Basic Concepts MCQ PDF e Book Chapter 6 practice test to solve MCQ questions on Applications charge and current circuit elements power and energy system of units and voltage The Basic Laws MCQ PDF e Book Chapter 7 practice test to solve MCQ questions on Applications Kirchhoff s laws nodes branches and loops Ohm s law series resistors and voltage division The Capacitors and Inductors MCQ PDF e Book Chapter 8 practice test to solve MCQ questions on capacitors differentiator inductors integrator and resistivity The Circuit Concepts MCQ PDF e Book Chapter 9 practice test to solve MCQ questions on Capacitance inductance non linear resistors passive and active elements resistance sign conventions and voltage current relations The Circuit Laws MCQ PDF e Book Chapter 10 practice test to solve MCQ questions on Introduction to circuit laws Kirchhoff s current law and Kirchhoff s voltage law The Circuit Theorems MCQ PDF e Book Chapter 11 practice test to solve MCQ questions on Kirchhoff s law linearity property maximum power transfer Norton s theorem resistance measurement source transformation superposition and thevenin s theorem The Filters and Resonance MCQ PDF e Book Chapter 12 practice test to solve MCQ questions on Band pass filter and resonance frequency response half power frequencies high pass and low pass networks ideal and practical filters natural frequency and damping ratio passive and active filters The First Order Circuits MCQ PDF e Book Chapter 13 practice test to solve MCQ questions on Applications capacitor discharge in a resistor establishing a DC voltage across a capacitor introduction singularity functions source free RL circuit source free RC circuit source free RL circuit step and impulse responses in RC circuits step response of an RC circuit step response of an RL circuit transient analysis with PSPICE and transitions at switching time The Fourier Series MCQ PDF e Book Chapter 14 practice test to solve MCQ questions on Applications average power and RMS values symmetry considerations and trigonometric Fourier series The Fourier transform MCQ PDF e Book

Chapter 15 practice test to solve MCQ questions on applications The Frequency Response MCQ PDF e Book Chapter 16 practice test to solve MCQ questions on Active filters applications bode plots decibel scale introduction passive filters scaling series resonance and transfer function The Higher Order Circuits and Complex Frequency MCQ PDF e Book Chapter 17 practice test to solve MCQ questions on Complex frequency generalized impedance in s domain parallel RLC circuit and series RLC circuit The Introduction to Electric Circuits MCQ PDF e Book Chapter 18 practice test to solve MCQ questions on Constant and variable function electric charge and current electric potential electric quantities and SI units energy and electrical power force work and power The Introduction to Laplace Transform MCQ PDF e Book Chapter 19 practice test to solve MCQ questions on Convolution integral The Magnetically Coupled Circuits MCQ PDF e Book Chapter 20 practice test to solve MCQ questions on Energy in coupled circuit ideal autotransformers ideal transformers linear transformers and mutual inductance The Methods of Analysis MCQ PDF e Book Chapter 21 practice test to solve MCQ questions on Applications circuit analysis with PSPICE mesh analysis mesh analysis with current sources nodal analysis nodal and mesh analysis by inception The Mutual Inductance and Transformers MCQ PDF e Book Chapter 22 practice test to solve MCQ questions on Analysis of coupling coil auto transformer conductivity coupled equivalent circuits coupling coefficient dot rule energy in a pair of coupled coils ideal transformer linear transformer and mutual inductance The Operational Amplifiers MCQ PDF e Book Chapter 23 practice test to solve MCQ questions on Cascaded op amp circuits difference amplifier ideal op amp instrumentation amplifier introduction inverting amplifier noninverting amplifier operational amplifiers and summing amplifier The Polyphaser Circuits MCQ PDF e Book Chapter 24 practice test to solve MCQ questions on Balanced delta connected load balanced wye connected load equivalent y and delta connections phasor voltages the two wattmeter method three phase power three phase systems two phase systems unbalanced delta connected load unbalanced y connected load wye and delta systems The Second Order Circuits MCQ PDF e Book Chapter 25 practice test to solve MCQ questions on Second order op amp circuits applications duality introduction and source free series RLC circuit The Sinusoidal Steady State Analysis MCQ PDF e Book Chapter 26 practice test to solve MCQ questions on Element responses impedance and admittance mesh analysis nodal analysis op amp ac circuits oscillators phasors voltage and current division in frequency domain The Sinusoids and Phasors MCQ PDF e Book Chapter 27 practice test to solve MCQ questions on Applications impedance and admittance impedance combinations introduction phasor relationships for circuit elements phasors and sinusoids The Three Phase Circuits MCQ PDF e Book Chapter 28 practice test to solve MCQ questions on Applications balanced delta delta connection balanced three phase voltages balanced wye delta connection balanced wye wye connection power in balanced system and unbalanced three phase system The Two Port Networks MCQ PDF e Book Chapter 29 practice test to solve MCQ questions on Admittance parameters g parameters h parameters hybrid parameters impedance parameters interconnection of networks interconnection of two port networks introduction pi equivalent t parameters terminals and ports transmission

parameters two port network y parameters and z parameters The Waveform and Signals MCQ PDF e Book Chapter 30 practice test to solve MCQ questions on Average and effective RMS values combination of periodic functions exponential function non periodic functions periodic functions random signals sinusoidal functions time shift and phase shift trigonometric identities unit impulse function and unit step function

**Practical Electrical Engineering** Sergey N. Makarov, Reinhold Ludwig, Stephen J. Bitar, 2019-02-28 This new edition of a proven textbook provides comprehensive in depth coverage of the fundamental concepts of electrical and computer engineering It is written from an engineering perspective with special emphasis on circuit functionality and applications Reliance on higher level mathematics and physics or theoretical proofs has been intentionally limited in order to prioritize the practical aspects of electrical engineering This text is therefore suitable for a number of introductory circuit courses for other majors such as robotics mechanical biomedical aerospace civil architecture petroleum and industrial engineering The authors primary goal is to teach the aspiring engineering student all fundamental tools needed to understand analyze and design a wide range of practical circuits and systems Their secondary goal is to provide a comprehensive reference for both major and non major students as well as practicing engineers

**Practical RF Circuit Design for Modern Wireless Systems** Rowan Gilmore, Les Besser, 2003 A practical approach to RF circuit design this volume covers nonlinear circuits and modelling RF transistor amplifiers oscillators and mixers

**Broadband RF and Microwave Amplifiers** Andrei Grebennikov, Narendra Kumar, Binboga S. Yarman, 2017-07-12 Broadband RF and Microwave Amplifiers provides extensive coverage of broadband radio frequency RF and microwave power amplifier design including well known historical and recent novel schematic configurations theoretical approaches circuit simulation results and practical implementation strategies The text begins by introducing two port networks to illustrate the behavior of linear and nonlinear circuits explaining the basic principles of power amplifier design and discussing impedance matching and broadband power amplifier design using lumped and distributed parameters The book then Shows how dissipative or lossy gain compensation matching circuits can offer an important trade off between power gain reflection coefficient and operating frequency bandwidth Describes the design of broadband RF and microwave amplifiers using real frequency techniques RFTs supplying numerous examples based on the MATLAB programming process Examines Class E power amplifiers Doherty amplifiers low noise amplifiers microwave gallium arsenide field effect transistor GaAs FET distributed amplifiers and complementary metal oxide semiconductor CMOS amplifiers for ultra wideband UWB applications Broadband RF and Microwave Amplifiers combines theoretical analysis with practical design to create a solid foundation for innovative ideas and circuit design techniques

**Practical Guide to Electronic Amplifiers** John D. Lenk, 1991

**Practical Audio Amplifier Circuit Projects** Andrew Singmin, 1999-11-08 Practical Audio Amplifier Circuit Projects builds on the introduction to electronic circuits provided in Singmin s innovative and successful first book Beginning Electronics Through Projects Both books draw on the author s many

years of experience as electronics professional and as hobbyist As a result his project descriptions are lively practical and very clear With this new volume the reader can build relatively simple systems and achieve useable results quickly The projects included here allow a hobbyist to build amplifier circuits test them and then put them into a system Progress through a graduated series of learning activities culminates in unique devices that are nevertheless easy to build Learn the basic building blocks of audio amplifier circuit design and then apply your knowledge to your own audio inventions Targets the intermediate to advanced reader with challenging projects that teach important circuit theories and principles Provides a ready source of audio circuits to professional audio engineers Includes an electric guitar pacer project that lets you jam with your favorite band

**Circuit Analysis and Feedback Amplifier Theory** Wai-Kai Chen, 2018-10-03 Culled from the pages of CRC's highly successful best selling *The Circuits and Filters Handbook Second Edition* **Circuit Analysis and Feedback Amplifier Theory** presents a sharply focused comprehensive review of the fundamental theory behind professional applications of circuits and feedback amplifiers It supplies a concise convenient reference to the key concepts models and equations necessary to analyze design and predict the behavior of large scale circuits and feedback amplifiers illustrated by frequent examples Edited by a distinguished authority this book emphasizes the theoretical concepts underlying the processes behavior and operation of these devices It includes guidance on the design of multiple loop feedback amplifiers More than 350 figures and tables illustrate the concepts and where necessary the theories principles and mathematics of some subjects are reviewed Expert contributors discuss analysis in the time and frequency domains symbolic analysis state variable techniques feedback amplifier configurations general feedback theory and network functions and feedback among many other topics **Circuit Analysis and Feedback Amplifier Theory** builds a strong theoretical foundation for the design and analysis of advanced circuits and feedback amplifiers while serving as a handy reference for experienced engineers making it a must have for both beginners and seasoned experts

*Analysis of Bipolar and CMOS Amplifiers* Amir M. Sodagar, 2018-10-08 The classical approach to analog circuit analysis is a daunting prospect to many students requiring tedious enumeration of contributing factors and lengthy calculations Most textbooks apply this cumbersome approach to small signal amplifiers which becomes even more difficult as the number of components increases *Analysis of Bipolar and CMOS Amplifiers* offers students an alternative that enables quick and intuitive analysis and design the analysis by inspection method This practical and student friendly text demonstrates how to achieve approximate results that fall within an acceptable range of accuracy and are based on sound scientific principles Working from the basics of amplifiers and transistors to biasing single and multistage amplifiers current sources and mirrors and analysis at midband low and high frequencies the author demonstrates the interrelationship between behavior in both the time and frequency domains and balances the discussion between bipolar and CMOS circuits Each chapter closes with a set of simulation examples in SPICE and MATLAB that give students hands on experience applying the concepts and methods using industry standard tools

Building a practical working knowledge around a solid theoretical framework Analysis of Bipolar and CMOS Amplifiers prepares your students to meet the challenges of quick and accurate approximations and software based analysis awaiting them in the workplace *Handbook of Modern Solid-state Amplifiers* John D. Lenk,1974 **Principles of Electric Circuits** Thomas L. Floyd,2007 The eighth edition of this best selling dc ac circuits text represents significant positive changes for instructors and students alike As in prior editions Principles of Electric Circuits Eighth Edition retains its best features Comprehensive straightforward coverage of the basics of electrical components and circuits Clear explanations and applications of fundamental circuit laws and analysis in a variety of basic circuits with an emphasis on applications Extensive troubleshooting coverage **An Introduction to Linear Electric Circuits and Electronics** Michael C. Kelley,Benjamin Nichols,1988-11-09 Uses a linear system approach to circuit theory Covers elementary circuit analysis circuits containing energy storage elements electric power systems frequency response and electronic devices Each chapter contains worked examples and practice problems Prerequisites are elementary calculus and physics **Linear Circuit Analysis** Raymond A. DeCarlo, Pen-Min Lin,1995 The combined three volumes of these texts cover traditional linear circuit analysis topics both concepts and computation including the use of available software for problem solution where necessary The text balances emphasis on concepts and calculation so students learn the basic principles and properties that govern circuits behaviour while they gain a firm understanding of how to solve computational techniques they will face in the world of professional engineers *Handbook of Practical Electronic Circuits* John D. Lenk,1982

## The Enigmatic Realm of **Practical Circuit Analysis Of Amplifiers**: Unleashing the Language is Inner Magic

In a fast-paced digital era where connections and knowledge intertwine, the enigmatic realm of language reveals its inherent magic. Its capacity to stir emotions, ignite contemplation, and catalyze profound transformations is nothing short of extraordinary. Within the captivating pages of **Practical Circuit Analysis Of Amplifiers** a literary masterpiece penned by way of a renowned author, readers embark on a transformative journey, unlocking the secrets and untapped potential embedded within each word. In this evaluation, we shall explore the book's core themes, assess its distinct writing style, and delve into its lasting impact on the hearts and minds of those that partake in its reading experience.

[https://staging.gilderlehrman.org/book/virtual-library/fetch.php/relatos\\_1\\_ritos.pdf](https://staging.gilderlehrman.org/book/virtual-library/fetch.php/relatos_1_ritos.pdf)

### **Table of Contents Practical Circuit Analysis Of Amplifiers**

1. Understanding the eBook Practical Circuit Analysis Of Amplifiers
  - The Rise of Digital Reading Practical Circuit Analysis Of Amplifiers
  - Advantages of eBooks Over Traditional Books
2. Identifying Practical Circuit Analysis Of Amplifiers
  - Exploring Different Genres
  - Considering Fiction vs. Non-Fiction
  - Determining Your Reading Goals
3. Choosing the Right eBook Platform
  - Popular eBook Platforms
  - Features to Look for in a Practical Circuit Analysis Of Amplifiers
  - User-Friendly Interface
4. Exploring eBook Recommendations from Practical Circuit Analysis Of Amplifiers
  - Personalized Recommendations
  - Practical Circuit Analysis Of Amplifiers User Reviews and Ratings
  - Practical Circuit Analysis Of Amplifiers and Bestseller Lists

5. Accessing Practical Circuit Analysis Of Amplifiers Free and Paid eBooks
  - Practical Circuit Analysis Of Amplifiers Public Domain eBooks
  - Practical Circuit Analysis Of Amplifiers eBook Subscription Services
  - Practical Circuit Analysis Of Amplifiers Budget-Friendly Options
6. Navigating Practical Circuit Analysis Of Amplifiers eBook Formats
  - ePub, PDF, MOBI, and More
  - Practical Circuit Analysis Of Amplifiers Compatibility with Devices
  - Practical Circuit Analysis Of Amplifiers Enhanced eBook Features
7. Enhancing Your Reading Experience
  - Adjustable Fonts and Text Sizes of Practical Circuit Analysis Of Amplifiers
  - Highlighting and Note-Taking Practical Circuit Analysis Of Amplifiers
  - Interactive Elements Practical Circuit Analysis Of Amplifiers
8. Staying Engaged with Practical Circuit Analysis Of Amplifiers
  - Joining Online Reading Communities
  - Participating in Virtual Book Clubs
  - Following Authors and Publishers Practical Circuit Analysis Of Amplifiers
9. Balancing eBooks and Physical Books Practical Circuit Analysis Of Amplifiers
  - Benefits of a Digital Library
  - Creating a Diverse Reading Collection Practical Circuit Analysis Of Amplifiers
10. Overcoming Reading Challenges
  - Dealing with Digital Eye Strain
  - Minimizing Distractions
  - Managing Screen Time
11. Cultivating a Reading Routine Practical Circuit Analysis Of Amplifiers
  - Setting Reading Goals Practical Circuit Analysis Of Amplifiers
  - Carving Out Dedicated Reading Time
12. Sourcing Reliable Information of Practical Circuit Analysis Of Amplifiers
  - Fact-Checking eBook Content of Practical Circuit Analysis Of Amplifiers
  - Distinguishing Credible Sources
13. Promoting Lifelong Learning

- Utilizing eBooks for Skill Development
  - Exploring Educational eBooks
14. Embracing eBook Trends
- Integration of Multimedia Elements
  - Interactive and Gamified eBooks

### **Practical Circuit Analysis Of Amplifiers Introduction**

In the digital age, access to information has become easier than ever before. The ability to download Practical Circuit Analysis Of Amplifiers has revolutionized the way we consume written content. Whether you are a student looking for course material, an avid reader searching for your next favorite book, or a professional seeking research papers, the option to download Practical Circuit Analysis Of Amplifiers has opened up a world of possibilities. Downloading Practical Circuit Analysis Of Amplifiers provides numerous advantages over physical copies of books and documents. Firstly, it is incredibly convenient. Gone are the days of carrying around heavy textbooks or bulky folders filled with papers. With the click of a button, you can gain immediate access to valuable resources on any device. This convenience allows for efficient studying, researching, and reading on the go. Moreover, the cost-effective nature of downloading Practical Circuit Analysis Of Amplifiers has democratized knowledge. Traditional books and academic journals can be expensive, making it difficult for individuals with limited financial resources to access information. By offering free PDF downloads, publishers and authors are enabling a wider audience to benefit from their work. This inclusivity promotes equal opportunities for learning and personal growth. There are numerous websites and platforms where individuals can download Practical Circuit Analysis Of Amplifiers. These websites range from academic databases offering research papers and journals to online libraries with an expansive collection of books from various genres. Many authors and publishers also upload their work to specific websites, granting readers access to their content without any charge. These platforms not only provide access to existing literature but also serve as an excellent platform for undiscovered authors to share their work with the world. However, it is essential to be cautious while downloading Practical Circuit Analysis Of Amplifiers. Some websites may offer pirated or illegally obtained copies of copyrighted material. Engaging in such activities not only violates copyright laws but also undermines the efforts of authors, publishers, and researchers. To ensure ethical downloading, it is advisable to utilize reputable websites that prioritize the legal distribution of content. When downloading Practical Circuit Analysis Of Amplifiers, users should also consider the potential security risks associated with online platforms. Malicious actors may exploit vulnerabilities in unprotected websites to distribute malware or steal personal information. To protect themselves, individuals should ensure their devices have reliable antivirus software installed and validate the legitimacy of the websites they are downloading from.

In conclusion, the ability to download Practical Circuit Analysis Of Amplifiers has transformed the way we access information. With the convenience, cost-effectiveness, and accessibility it offers, free PDF downloads have become a popular choice for students, researchers, and book lovers worldwide. However, it is crucial to engage in ethical downloading practices and prioritize personal security when utilizing online platforms. By doing so, individuals can make the most of the vast array of free PDF resources available and embark on a journey of continuous learning and intellectual growth.

### FAQs About Practical Circuit Analysis Of Amplifiers Books

1. Where can I buy Practical Circuit Analysis Of Amplifiers books? Bookstores: Physical bookstores like Barnes & Noble, Waterstones, and independent local stores. Online Retailers: Amazon, Book Depository, and various online bookstores offer a wide range of books in physical and digital formats.
2. What are the different book formats available? Hardcover: Sturdy and durable, usually more expensive. Paperback: Cheaper, lighter, and more portable than hardcovers. E-books: Digital books available for e-readers like Kindle or software like Apple Books, Kindle, and Google Play Books.
3. How do I choose a Practical Circuit Analysis Of Amplifiers book to read? Genres: Consider the genre you enjoy (fiction, non-fiction, mystery, sci-fi, etc.). Recommendations: Ask friends, join book clubs, or explore online reviews and recommendations. Author: If you like a particular author, you might enjoy more of their work.
4. How do I take care of Practical Circuit Analysis Of Amplifiers books? Storage: Keep them away from direct sunlight and in a dry environment. Handling: Avoid folding pages, use bookmarks, and handle them with clean hands. Cleaning: Gently dust the covers and pages occasionally.
5. Can I borrow books without buying them? Public Libraries: Local libraries offer a wide range of books for borrowing. Book Swaps: Community book exchanges or online platforms where people exchange books.
6. How can I track my reading progress or manage my book collection? Book Tracking Apps: Goodreads, LibraryThing, and Book Catalogue are popular apps for tracking your reading progress and managing book collections. Spreadsheets: You can create your own spreadsheet to track books read, ratings, and other details.
7. What are Practical Circuit Analysis Of Amplifiers audiobooks, and where can I find them? Audiobooks: Audio recordings of books, perfect for listening while commuting or multitasking. Platforms: Audible, LibriVox, and Google Play Books offer a wide selection of audiobooks.
8. How do I support authors or the book industry? Buy Books: Purchase books from authors or independent bookstores.

Reviews: Leave reviews on platforms like Goodreads or Amazon. Promotion: Share your favorite books on social media or recommend them to friends.

9. Are there book clubs or reading communities I can join? Local Clubs: Check for local book clubs in libraries or community centers. Online Communities: Platforms like Goodreads have virtual book clubs and discussion groups.
10. Can I read Practical Circuit Analysis Of Amplifiers books for free? Public Domain Books: Many classic books are available for free as they're in the public domain. Free E-books: Some websites offer free e-books legally, like Project Gutenberg or Open Library.

### **Find Practical Circuit Analysis Of Amplifiers :**

#### **relatos 1 ritos**

reich the march of the 2nd ss panzer division through france june 1944

*relationship code*

#### **regulating risk the science and politics of risk**

~~relaxation subliminal persuasion~~

~~reliability theory and practice~~

reggie the life of reginald maudling

register of john morton archbishop of canterbury 14861500 i

region in turmoil south asian conflicts since 1947

#### **religion and human experience opposing viewpoints opposing viewpoints series**

reinventing myself a collection of autobiographical essays

~~rehabilitation after severe head injury~~

regional economic development

regional integration; europe and asia compared.

*reliability and validity of the school success profile*

### **Practical Circuit Analysis Of Amplifiers :**

*listening comprehension tips study room - Jan 10 2023*

web sep 12 2018 the listening comprehension paper paper 3 is probably the paper that most students feel they are well equipped to score well in the paper consists of 20

*listening comprehension passage with multiple choice questions* - Jul 04 2022

web jul 3 2023 multiple choice reading and listening comprehension tests are an important part of language assessment content creators for standard educational tests need to

listening comprehension sample questions educational - Feb 11 2023

web this section offers listening practice to help you understand the main points of clear standard speech about everyday or job related topics situations include phone calls

*short reading comprehension passages best english pages* - Dec 29 2021

pearson test of english free practice listening test for pte - Sep 06 2022

web listening comprehension passage with multiple choice questions grammar bytes grammar instruction with attitude includes detailed terms interactive exercises handouts

**best 20 reading comprehension with multiple choice questions** - Jan 30 2022

analyzing multiple choice reading and listening comprehension - Apr 01 2022

web jun 24 2022 these comprehension worksheets will help boost students basic reading comprehension skills such as activating prior knowledge and expanding vocabulary

**reading comprehension passage with multiple choice questions** - Aug 05 2022

web dive into engaging passages and test your understanding with multiple choice and cloze gap fill questions whether you re a beginner intermediate or advanced learner

*b1 listening learnenglish* - Nov 08 2022

web reading comprehension passage with multiple choice questions worksheets teaching resources tpt browse reading comprehension passage with multiple

analyzing multiple choice reading and listening comprehension - Feb 28 2022

web each passage is followed by a number of multiple choice questions the questions test and provide practice in reading comprehension skills both for literal comprehension

*listening comprehension practice questions with* - Aug 17 2023

web may 11 2015 listening comprehension practice tests that have listening comprehension questions canadian firefighter toefl toeic ielts cael and

*listening comprehension lingolia* - May 14 2023

web feb 11 2020 listening comprehension activities for a2 level students

*listening multiple choice questions worksheet live worksheets* - Mar 12 2023

web sep 16 2013 listening comprehension tip it s the listening comprehension examinations on sept 20 there are 20 multiple choice questions to test the

**ielts listening multiple choice questions tips with** - Dec 09 2022

web toeic level test cambridge fce pet ket pte sat cef vocab grammar mobile advertisements pte general level 3 listening part 1 difficulty level b2 in this

*ielts listening multiple choice practice* - Sep 18 2023

web on this page you will find ielts listening exercise for multiple choice questions by completing this exercise you will improve your ielts listening skills and develop

*multiple choice interactive tasks for reading* - Apr 13 2023

web the listening comprehension section tests your ability to listen for basic interpersonal instructional and academic purposes during the test you will hear recordings of different

pdf listening comprehension worksheets b2 - Jun 15 2023

web improve your listening comprehension skills with lingolia practise listening and answer comprehension questions in this section of the website there are listening tracks

short comprehension passages with multiple choice questions - Nov 27 2021

**english listening comprehension practice listening** - Jul 16 2023

web listening comprehension worksheets b2 and b2 this sections provides you with listening comprehension tasks in pdf format as well as links to the audio resources

multiple choice learnenglish teens - Oct 19 2023

web multiple choice answers is a popular type of task for listening exams multiple choice can be tricky as there are often two possible answers that are quite similar read all the

*primary school listening comprehension examples and strategies* - Oct 07 2022

web listening comprehension passage with multiple choice questions core subjects ec 6 63 free authentic practice questions may 2nd 2018 the texes core subjects

listening comprehension passage with multiple choice - Jun 03 2022

web jul 3 2023 multiple choice reading and listening comprehension tests are an important part of language assessment content creators for standard educational tests need to

**reading comprehension exercises usingenglish com** - May 02 2022

web in this post we present you the top 20 reading comprehension with multiple choice questions these passages are designed to challenge and improve your reading

[1994 vulcan 500 carburetor parts diagram kawasaki motors](#) - Mar 14 2023

web view the manual for the kawasaki vulcan 500 ltd here for free this manual comes under the category motorcycles and has been rated by 27 people with an average of a 8 7 this

**vulcan 500 kawasaki vulcan forum** - Aug 07 2022

web 2007 vulcan 500 ltd parts list carburetor parts e r quantity carburetor 13091 14041 92081 1 6030 1 6044 ref 220a 1 6007 1 6009 92009 carburetor title

[kawasaki vulcan 500 ltd en500c6f carburetor diagram](#) - May 04 2022

web specifications special tools throttle grip and cable throttle grip free play inspection throttle cable adjustment throttle cable inspection throttle cable lubrication

**vulcan 500 carburetor not seating properly** - Apr 15 2023

web 1994 vulcan 500 parts list carburetor e r quantity 1994 vulcan 500 carburetor parts diagram author kawasaki motors corporation u s a subject vehicle

[user manual kawasaki vulcan 500 ltd 2002 english 351](#) - Apr 03 2022

**1992 vulcan 500 carburetor parts parts diagram kawasaki** - Jun 05 2022

web catalog kawasaki motorcycle 2006 vulcan 500 ltd en500c6f carburetor check availability select your address need help finding parts chat now why

[how to adjust kawasaki vulcan en500 motorcycle repair](#) - Oct 09 2022

web single carburator for kawasaki vulcan 500 zaidi badron 386 subscribers subscribe 3 9k views 3 years ago i sent the bike to a mechanic for change my standard

**carb adjustment kawasaki vulcan forum** - Jul 18 2023

web dec 7 2016 carb adjustment 3862 views 12 replies 6 participants last post by gahack1 vulcan 1500 vulcan 2000 vulcan 500 vulcan 1600 vulcan 900 and all

[how to adjust idle kawasaki vulcan 500 motorcycle youtube](#) - Aug 19 2023

web jan 8 2011 the service manual says it should be 2 turn out or 1 4 on my bike it is adjust to 2 1 4 so i thought i should screw it clockwise to get closer to 2 turn to get my

**user manual kawasaki vulcan 500 ltd english 351 pages** - Feb 13 2023

web carburetor e r quantity 2009 vulcan 500 ltd carburetor parts diagram author kawasaki motors corporation u s a subject

vehicle parts diagram

**carb adjustment kawasaki vulcan forum** - Jun 17 2023

web aug 27 2004 the adjustment screw under the seal is for low speed adjustment if you have to lean the carbs below about 2 turns out you have an enrichment problem make

single carburetor for kawasaki vulcan 500 youtube - Sep 08 2022

web jul 26 2023 seat bolt size andi 2007 vulcan 500 oct 15 2023 4 85 11 h ago by andi 2007 vulcan 500

**vulcan 500 carb removal youtube** - Dec 11 2022

web view the manual for the kawasaki vulcan 500 ltd 2008 here for free this manual comes under the category motorcycles and has been rated by 5 people with an average

03 vulcan 500 fuel mixture screw kawasaki motorcycle - May 16 2023

web jul 22 2020 a forum community dedicated to kawasaki vulcan motorcycle owners and enthusiasts come join the discussion about performance modifications vulcan 1500

*2009 vulcan 500 ltd carburetor parts diagram kawasaki* - Jan 12 2023

web about press copyright contact us creators advertise developers terms privacy policy safety how youtube works test new features nfl sunday ticket press copyright

**user manual kawasaki vulcan 500 ltd 2008 english 351** - Nov 10 2022

web july 17 2018 how to adjust the idle on a kawasaki vulcan 500 motorcycle carburetor you tube jccgmwid3ao youtube com how to adjust idle kawasaki vulcan 500

*carb adjustment kawasaki vulcan forum* - Sep 20 2023

web jul 17 2018 103 12k views 5 years ago macon ga kawasaki vulcan 500 motorcycle wont idle speed adjustment how to adjust idle kawasaki 500 vulcan carburetor idle

2007 vulcan 500 ltd carburetor parts parts diagram - Jul 06 2022

web 1992 vulcan 500 parts list carburetor parts item name part number quantity holder needle jet ref 13091 13091 1425 2 cover

**microbiology for allied health students lab manual** - Oct 11 2022

mar 19 2021 4 microbiology laboratory safety contract microbiology is a hands on laboratory class you will be doing many laboratory activities which require the use of potentially hazardous bacteria and chemicals safety in the microbiology laboratory is 1 priority of the instructor and the student

**laboratory exercises in microbiology 12th edition mcgraw hill** - Apr 05 2022

get the 12e of laboratory exercises in microbiology by nathan rigel and javier izquierdo textbook ebook and other options

isbn 9781264775668 copyright 2023

**laboratory exercises in microbiology 5th edition wiley** - Aug 09 2022

the laboratory exercises in microbiology 5e by pollack et al presents exercises and experiments covered in a 1 or 2 semester undergraduate microbiology laboratory course for allied health students the labs are introduced in a clear and concise manner while maintaining a student friendly tone

**laboratory exercises in microbiology 4th edition google books** - Mar 04 2022

dec 7 2011 laboratory exercises in microbiology 4e by pollack et al presents exercises and experiments covered in a 1 or 2 semester undergraduate microbiology laboratory course for allied health students the labs are introduced in a clear and concise manner while maintaining a student friendly tone

**microbiology lab exercises 1 20 flashcards quizlet** - Mar 16 2023

1 eukarya unicellular and multicellular may consist of one or more cells eukaryotic cells which contain a nucleus and internal complexity 2 bacteria unicellular consists of only one cell prokaryotic cells which have no nucleus and lack internal complexity 3 archaea unicellular consists of only one cell

**laboratory exercises in microbiology 5th edition pdf** - Jun 07 2022

sign in laboratory exercises in microbiology 5th edition pdf google drive sign in

*laboratory exercises in microbiology discovering the unseen* - May 18 2023

feb 1 2023 the exercises in this laboratory manual are designed to engage students in hand on activities that reinforce their understanding of the microbial world topics covered include staining and microscopy metabolic testing physical

**microbiology mcgraw hill education** - Dec 13 2022

the laboratory resource guide provides answers to all exercises in laboratory exercises in microbiology fifth edition by john harley and lansing prescott all images and tables from the text in an downloadable format for classroom presentation

*laboratory exercises in microbiology 3rd edition answers* - Sep 10 2022

laboratory exercises in microbiology 3rd edition answers yeah reviewing a book laboratory exercises in microbiology 3rd edition answers could mount up your near friends listings this is just one of the solutions for you to be successful as understood ability does not recommend that you have wonderful points

**pollack laboratory exercises in microbiology 3rd edition wiley** - Jul 20 2023

laboratory exercises in microbiology 3rd edition home browse by chapter browse by chapter browse by resource browse by resource more information more information title home on wiley com how to use this site table of contents answer key for laboratory reports requires microsoft office viewer password protected assets need to

book laboratory exercises in microbiology mclaughlin and - Jun 19 2023

mar 19 2021 the exercises in this laboratory manual are designed to engage students in hand on activities that reinforce their understanding of the microbial world topics covered include staining and microscopy metabolic testing physical and chemical control of microorganisms and immunology

**microbiology 3rd edition textbook solutions chegg com** - Aug 21 2023

our interactive player makes it easy to find solutions to microbiology 3rd edition problems you re working on just go to the chapter for your book hit a particularly tricky question bookmark it to easily review again before an exam

**laboratory exercises in microbiology 3rd edition amazon com** - Jul 08 2022

dec 22 1998 buy laboratory exercises in microbiology on amazon com free shipping on qualified orders

laboratory exercises in microbiology 3rd edition answers 2022 - Nov 12 2022

edition spiral binding on amazon com free shipping on qualified orderslaboratory exercises in microbiology 3rd edition spiral

buy laboratory exercises in microbiology 3rd edition 9780470133927 by robert a pollack for up to 90 off at textbooks com

laboratory exercises in microbiology 3rd edition find 9780787256241

laboratory exercises in microbiology 5th edition wiley - May 06 2022

description the laboratory exercises in microbiology 5e by pollack et al presents exercises and experiments covered in a 1 or 2 semester undergraduate microbiology laboratory course for allied health students the labs are introduced in a clear and concise manner while maintaining a student friendly tone

laboratory exercises in microbiology 3rd edition amazon com - Jan 14 2023

aug 18 2008 in stock now in its third edition laboratory exercises in microbiology contains a variety of interactive activities and experiments that teach readers the basic concepts of microbiology it covers methods that allow the safe movement or transfer of microbial cells from one type of growth environment classification and identification of

**microbiology laboratory exercises rutgers university** - Apr 17 2023

1 biosafety best lab practices labarchives notebook preparation of a culture medium culturing and handling microorganisms

2 follow up culturing and handling microorganisms isolation of a pure culture counting bacterial populations plate counts 3

follow up isolation of a pure culture follow up counting bacterial populations control of mi

laboratory exercises in microbiology google books - Feb 15 2023

jul 11 2018 the laboratory exercises in microbiology 5e by pollack et al presents exercises and experiments covered in a 1 or 2 semester undergraduate microbiology laboratory course for allied

microbiology 3rd edition solutions and answers quizlet - Sep 22 2023

now with expert verified solutions from microbiology 3rd edition you ll learn how to solve your toughest homework problems our resource for microbiology includes answers to chapter exercises as well as detailed information to walk you through the

process step by step

**microbiology lab quizzes questions answers proprofs** - Feb 03 2022

aug 21 2023 welcome to our microbiology lab quizzes where you can test your knowledge and skills in the fascinating world of microbiology laboratory techniques microbiology is the study of microscopic organisms including bacteria viruses fungi and protozoa in the lab microbiologists employ various techniques to isolate culture identify and study