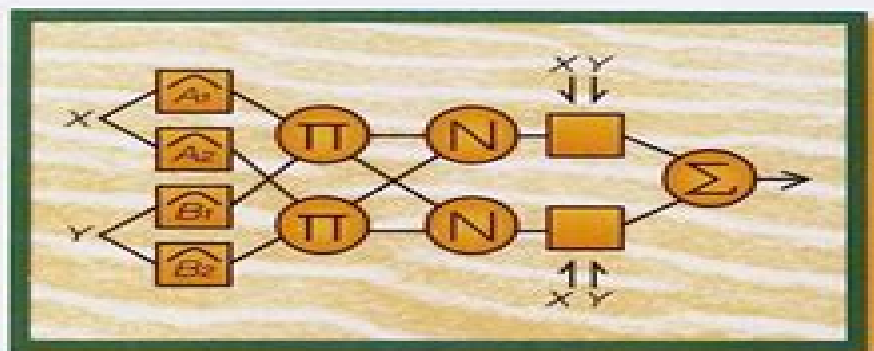


Neuro-Fuzzy AND Soft Computing

A Computational Approach to
Learning and Machine Intelligence



J.-S. R. JANG

張智星

C.-T. SUN

孫春在

E. MIZUTANI

水谷英二



MATLAB®
CURRICULUM
SERIES

Neuro Fuzzy And Soft Computing A Computational Approach To Learning And Machine Intelligence

Lingsheng Yao



Neuro Fuzzy And Soft Computing A Computational Approach To Learning And Machine Intelligence:

Unveiling the Energy of Verbal Art: An Emotional Sojourn through **Neuro Fuzzy And Soft Computing A Computational Approach To Learning And Machine Intelligence**

In a world inundated with monitors and the cacophony of instant connection, the profound energy and mental resonance of verbal art usually disappear into obscurity, eclipsed by the continuous assault of noise and distractions. However, situated within the musical pages of **Neuro Fuzzy And Soft Computing A Computational Approach To Learning And Machine Intelligence**, a interesting function of fictional elegance that pulses with organic thoughts, lies an unforgettable trip waiting to be embarked upon. Written with a virtuoso wordsmith, this mesmerizing opus manuals viewers on a mental odyssey, softly revealing the latent possible and profound impact stuck within the elaborate web of language. Within the heart-wrenching expanse of the evocative analysis, we will embark upon an introspective exploration of the book is central themes, dissect their interesting publishing design, and immerse ourselves in the indelible impression it leaves upon the depths of readers souls.

https://staging.gilderlehrman.org/data/uploaded-files/Documents/complete_beginner_guide_to_create_marketing_funnel_with_ai_with_free_tools_batch18_386.pdf

Table of Contents Neuro Fuzzy And Soft Computing A Computational Approach To Learning And Machine Intelligence

1. Understanding the eBook Neuro Fuzzy And Soft Computing A Computational Approach To Learning And Machine Intelligence
 - The Rise of Digital Reading Neuro Fuzzy And Soft Computing A Computational Approach To Learning And Machine Intelligence
 - Advantages of eBooks Over Traditional Books
2. Identifying Neuro Fuzzy And Soft Computing A Computational Approach To Learning And Machine Intelligence
 - Exploring Different Genres
 - Considering Fiction vs. Non-Fiction
 - Determining Your Reading Goals

3. Choosing the Right eBook Platform
 - Popular eBook Platforms
 - Features to Look for in an Neuro Fuzzy And Soft Computing A Computational Approach To Learning And Machine Intelligence
 - User-Friendly Interface
4. Exploring eBook Recommendations from Neuro Fuzzy And Soft Computing A Computational Approach To Learning And Machine Intelligence
 - Personalized Recommendations
 - Neuro Fuzzy And Soft Computing A Computational Approach To Learning And Machine Intelligence User Reviews and Ratings
 - Neuro Fuzzy And Soft Computing A Computational Approach To Learning And Machine Intelligence and Bestseller Lists
5. Accessing Neuro Fuzzy And Soft Computing A Computational Approach To Learning And Machine Intelligence Free and Paid eBooks
 - Neuro Fuzzy And Soft Computing A Computational Approach To Learning And Machine Intelligence Public Domain eBooks
 - Neuro Fuzzy And Soft Computing A Computational Approach To Learning And Machine Intelligence eBook Subscription Services
 - Neuro Fuzzy And Soft Computing A Computational Approach To Learning And Machine Intelligence Budget-Friendly Options
6. Navigating Neuro Fuzzy And Soft Computing A Computational Approach To Learning And Machine Intelligence eBook Formats
 - ePub, PDF, MOBI, and More
 - Neuro Fuzzy And Soft Computing A Computational Approach To Learning And Machine Intelligence Compatibility with Devices
 - Neuro Fuzzy And Soft Computing A Computational Approach To Learning And Machine Intelligence Enhanced eBook Features
7. Enhancing Your Reading Experience
 - Adjustable Fonts and Text Sizes of Neuro Fuzzy And Soft Computing A Computational Approach To Learning And Machine Intelligence

- Highlighting and Note-Taking Neuro Fuzzy And Soft Computing A Computational Approach To Learning And Machine Intelligence
 - Interactive Elements Neuro Fuzzy And Soft Computing A Computational Approach To Learning And Machine Intelligence
8. Staying Engaged with Neuro Fuzzy And Soft Computing A Computational Approach To Learning And Machine Intelligence
 - Joining Online Reading Communities
 - Participating in Virtual Book Clubs
 - Following Authors and Publishers Neuro Fuzzy And Soft Computing A Computational Approach To Learning And Machine Intelligence
 9. Balancing eBooks and Physical Books Neuro Fuzzy And Soft Computing A Computational Approach To Learning And Machine Intelligence
 - Benefits of a Digital Library
 - Creating a Diverse Reading Collection Neuro Fuzzy And Soft Computing A Computational Approach To Learning And Machine Intelligence
 10. Overcoming Reading Challenges
 - Dealing with Digital Eye Strain
 - Minimizing Distractions
 - Managing Screen Time
 11. Cultivating a Reading Routine Neuro Fuzzy And Soft Computing A Computational Approach To Learning And Machine Intelligence
 - Setting Reading Goals Neuro Fuzzy And Soft Computing A Computational Approach To Learning And Machine Intelligence
 - Carving Out Dedicated Reading Time
 12. Sourcing Reliable Information of Neuro Fuzzy And Soft Computing A Computational Approach To Learning And Machine Intelligence
 - Fact-Checking eBook Content of Neuro Fuzzy And Soft Computing A Computational Approach To Learning And Machine Intelligence
 - Distinguishing Credible Sources
 13. Promoting Lifelong Learning

- Utilizing eBooks for Skill Development
 - Exploring Educational eBooks
14. Embracing eBook Trends
- Integration of Multimedia Elements
 - Interactive and Gamified eBooks

Neuro Fuzzy And Soft Computing A Computational Approach To Learning And Machine Intelligence Introduction

Free PDF Books and Manuals for Download: Unlocking Knowledge at Your Fingertips In today's fast-paced digital age, obtaining valuable knowledge has become easier than ever. Thanks to the internet, a vast array of books and manuals are now available for free download in PDF format. Whether you are a student, professional, or simply an avid reader, this treasure trove of downloadable resources offers a wealth of information, conveniently accessible anytime, anywhere. The advent of online libraries and platforms dedicated to sharing knowledge has revolutionized the way we consume information. No longer confined to physical libraries or bookstores, readers can now access an extensive collection of digital books and manuals with just a few clicks. These resources, available in PDF, Microsoft Word, and PowerPoint formats, cater to a wide range of interests, including literature, technology, science, history, and much more. One notable platform where you can explore and download free Neuro Fuzzy And Soft Computing A Computational Approach To Learning And Machine Intelligence PDF books and manuals is the internet's largest free library. Hosted online, this catalog compiles a vast assortment of documents, making it a veritable goldmine of knowledge. With its easy-to-use website interface and customizable PDF generator, this platform offers a user-friendly experience, allowing individuals to effortlessly navigate and access the information they seek. The availability of free PDF books and manuals on this platform demonstrates its commitment to democratizing education and empowering individuals with the tools needed to succeed in their chosen fields. It allows anyone, regardless of their background or financial limitations, to expand their horizons and gain insights from experts in various disciplines. One of the most significant advantages of downloading PDF books and manuals lies in their portability. Unlike physical copies, digital books can be stored and carried on a single device, such as a tablet or smartphone, saving valuable space and weight. This convenience makes it possible for readers to have their entire library at their fingertips, whether they are commuting, traveling, or simply enjoying a lazy afternoon at home. Additionally, digital files are easily searchable, enabling readers to locate specific information within seconds. With a few keystrokes, users can search for keywords, topics, or phrases, making research and finding relevant information a breeze. This efficiency saves time and effort, streamlining the learning process and allowing individuals to focus on extracting the information they need. Furthermore, the availability of free PDF books and manuals fosters a culture of continuous learning. By removing financial

barriers, more people can access educational resources and pursue lifelong learning, contributing to personal growth and professional development. This democratization of knowledge promotes intellectual curiosity and empowers individuals to become lifelong learners, promoting progress and innovation in various fields. It is worth noting that while accessing free Neuro Fuzzy And Soft Computing A Computational Approach To Learning And Machine Intelligence PDF books and manuals is convenient and cost-effective, it is vital to respect copyright laws and intellectual property rights. Platforms offering free downloads often operate within legal boundaries, ensuring that the materials they provide are either in the public domain or authorized for distribution. By adhering to copyright laws, users can enjoy the benefits of free access to knowledge while supporting the authors and publishers who make these resources available. In conclusion, the availability of Neuro Fuzzy And Soft Computing A Computational Approach To Learning And Machine Intelligence free PDF books and manuals for download has revolutionized the way we access and consume knowledge. With just a few clicks, individuals can explore a vast collection of resources across different disciplines, all free of charge. This accessibility empowers individuals to become lifelong learners, contributing to personal growth, professional development, and the advancement of society as a whole. So why not unlock a world of knowledge today? Start exploring the vast sea of free PDF books and manuals waiting to be discovered right at your fingertips.

FAQs About Neuro Fuzzy And Soft Computing A Computational Approach To Learning And Machine Intelligence Books

How do I know which eBook platform is the best for me? Finding the best eBook platform depends on your reading preferences and device compatibility. Research different platforms, read user reviews, and explore their features before making a choice. Are free eBooks of good quality? Yes, many reputable platforms offer high-quality free eBooks, including classics and public domain works. However, make sure to verify the source to ensure the eBook credibility. Can I read eBooks without an eReader? Absolutely! Most eBook platforms offer webbased readers or mobile apps that allow you to read eBooks on your computer, tablet, or smartphone. How do I avoid digital eye strain while reading eBooks? To prevent digital eye strain, take regular breaks, adjust the font size and background color, and ensure proper lighting while reading eBooks. What the advantage of interactive eBooks? Interactive eBooks incorporate multimedia elements, quizzes, and activities, enhancing the reader engagement and providing a more immersive learning experience. Neuro Fuzzy And Soft Computing A Computational Approach To Learning And Machine Intelligence is one of the best book in our library for free trial. We provide copy of Neuro Fuzzy And Soft Computing A Computational Approach To Learning And Machine Intelligence in digital format, so the resources that you find are reliable. There are also many Ebooks of related with Neuro Fuzzy And Soft

Neuro Fuzzy And Soft Computing A Computational Approach To Learning And Machine Intelligence

Computing A Computational Approach To Learning And Machine Intelligence. Where to download Neuro Fuzzy And Soft Computing A Computational Approach To Learning And Machine Intelligence online for free? Are you looking for Neuro Fuzzy And Soft Computing A Computational Approach To Learning And Machine Intelligence PDF? This is definitely going to save you time and cash in something you should think about. If you trying to find then search around for online. Without a doubt there are numerous these available and many of them have the freedom. However without doubt you receive whatever you purchase. An alternate way to get ideas is always to check another Neuro Fuzzy And Soft Computing A Computational Approach To Learning And Machine Intelligence. This method for see exactly what may be included and adopt these ideas to your book. This site will almost certainly help you save time and effort, money and stress. If you are looking for free books then you really should consider finding to assist you try this. Several of Neuro Fuzzy And Soft Computing A Computational Approach To Learning And Machine Intelligence are for sale to free while some are payable. If you arent sure if the books you would like to download works with for usage along with your computer, it is possible to download free trials. The free guides make it easy for someone to free access online library for download books to your device. You can get free download on free trial for lots of books categories. Our library is the biggest of these that have literally hundreds of thousands of different products categories represented. You will also see that there are specific sites catered to different product types or categories, brands or niches related with Neuro Fuzzy And Soft Computing A Computational Approach To Learning And Machine Intelligence. So depending on what exactly you are searching, you will be able to choose e books to suit your own need. Need to access completely for Campbell Biology Seventh Edition book? Access Ebook without any digging. And by having access to our ebook online or by storing it on your computer, you have convenient answers with Neuro Fuzzy And Soft Computing A Computational Approach To Learning And Machine Intelligence To get started finding Neuro Fuzzy And Soft Computing A Computational Approach To Learning And Machine Intelligence, you are right to find our website which has a comprehensive collection of books online. Our library is the biggest of these that have literally hundreds of thousands of different products represented. You will also see that there are specific sites catered to different categories or niches related with Neuro Fuzzy And Soft Computing A Computational Approach To Learning And Machine Intelligence So depending on what exactly you are searching, you will be able to choose ebook to suit your own need. Thank you for reading Neuro Fuzzy And Soft Computing A Computational Approach To Learning And Machine Intelligence. Maybe you have knowledge that, people have search numerous times for their favorite readings like this Neuro Fuzzy And Soft Computing A Computational Approach To Learning And Machine Intelligence, but end up in harmful downloads. Rather than reading a good book with a cup of coffee in the afternoon, instead they juggled with some harmful bugs inside their laptop. Neuro Fuzzy And Soft Computing A Computational Approach To Learning And Machine Intelligence is available in our book collection an online access to it is set as public so you can download it instantly. Our digital library spans in multiple locations, allowing you to

get the most less latency time to download any of our books like this one. Merely said, Neuro Fuzzy And Soft Computing A Computational Approach To Learning And Machine Intelligence is universally compatible with any devices to read.

Find Neuro Fuzzy And Soft Computing A Computational Approach To Learning And Machine Intelligence :

complete beginner guide to create marketing funnel with AI with free tools BATCH18-386

step by step guide to grow email list using AI step by step BATCH18-2388

free way to grow email list using AI organically BATCH18-499

complete beginner guide to use AI for lead generation for small business owners BATCH18-2350

step by step guide to create marketing funnel with AI for beginners BATCH18-582

proven strategy to use AI for local SEO for content creators BATCH18-612

free way to automate business with AI with free tools BATCH18-1697

free way to use AI for small business step by step BATCH18-1773

complete beginner guide to create faceless YouTube channel with AI in 2026 BATCH18-1418

low budget way to write blog posts using AI step by step BATCH18-824

free way to create faceless YouTube channel with AI for small business owners BATCH18-1361

complete beginner guide to launch AI agency for beginners BATCH18-606

step by step guide to use AI for TikTok growth in the United States BATCH18-2035

free way to generate leads using AI for beginners BATCH18-1762

low budget way to automate customer service with AI step by step BATCH18-169

Neuro Fuzzy And Soft Computing A Computational Approach To Learning And Machine Intelligence :

asons of california pages 1 28 flip pdf download fliphtml5 - May 10 2023

web sep 14 2015 in this view each degree addresses and instructs one part of that masonic trinity the first degree encompasses the body and the faculties of physical action the four cardinal virtues are extolled as the fellow craft 5 proper guides to action in the world that we may perfect our relationship to it

pdf fellowcraft study guide sergiu cerneavschi - Mar 08 2023

web 34 what are the three jewels of a fellowcraft 35 what is the significance of the letter g 1 fellow craft examination page 64 2 in open lodge 3 when you were passed to the degree of fellowcraft after 4 you were brought to light following your obligation you 5 discovered the worshipful master approaching you from the 6 east on the step

fellow craft s degree proficiency examination quizlet - Apr 09 2023

web study with quizlet and memorize flashcards containing terms like will you be off or from from what are you a fellow craft and more

the fellow craft degree masonicworld com - Feb 07 2023

web symbolism of the degree in the degree of fellowcraft we emphasize the dignity and worth of the individual man should be an instrument of the supreme architect of the universe as such he is a workman whose duty is to invent create and achieve and by doing so express his own genius and individuality

basic masonic education course for fellow crafts with questions - Jul 12 2023

web the fellow craft degree basic teachings of the second degree in one sense the fellow craft degree symbolizes the stage of adulthood and responsibility during a man s life on earth in this stage his task is to acquire knowledge and apply it to the building of his character and improving the society in which he lives as the father of our

california science engineering fair - Mar 28 2022

web serving california s future scientists and engineers since 1952 the fair is hosted by the california science center judging interviews of all projects in the 72nd annual california science engineering fair were held on tuesday april 11 2023 this year there were 896 participants from 351 schools throughout the state who presented 743 projects in

the second degree fellow craft freemasonry - Dec 05 2022

web the second degree fellow craft for the medieval stonemasons this degree marked a craftsman s progression from an apprentice to a journeyman in freemasonry the second degree represents the symbolic growth from youth to manhood as a brother accepts more responsibility within the fraternity and commits to studying its teachings

raft assets website files com - Oct 03 2022

web many masons believe that the second degree degree of the fellow craft is the most beautiful and moving if not the most enlightening of the masonic degree trilogy there are several ways the meaning of the fellow craft degree and its place between the first and third degrees of masonry have been explained over the years in one sense the

fellowcraft or second degree duncan s masonic ritual and monitor - Aug 13 2023

web five are required by masonic law to make a legal lodge of fellow crafts viz worshipful master senior and junior wardens senior and junior deacons yet seven besides the tyler generally officiate and take their seats as in

california fellow craft degree examination 2023 - Sep 02 2022

web 2 california fellow craft degree examination 2022 01 28 grand lodge f and a m of the state of california from its formation to the present timeproceedings of the m three dots in triangular formation w three dots in triangular

california fellow craft degree examination copy - Aug 01 2022

web university of california graduate division programme of the final public examination forth degree of doctor of philosophy of alden springer crafts wednesday april 30 1930 may 21 2023 the traditional crafts of egypt jun 29 2021 many traditional crafts practiced in contemporary egypt can be traced back hundreds if not thousands

california fellow craft degree examination pqr uiaf gov co - Apr 28 2022

web california fellow craft degree examination below the complete idiot s guide to freemasonry s brent morris 2006 in the complete idiot s guide to freemasonry an expert author reveals the truths and dispels the myths that have surrounded the freemasons for hundreds of years were the first masons 14th century stone masons and

second or fellow craft degree initiation internet - Jun 11 2023

web this is called the due guard of a fellow craft mason the two given together are called the signs and due guard of a fellow craft mason and they are never given separately they would not be recognized by a mason if given separately the master by the time he gives his steps signs and due guard arrives at the candidate

fellowcraft examination phoenixmasonry - Sep 14 2023

web a because it is an emblem of morality and one of the working tools of a fellow craft q what is a square a an angle of ninety degrees or the fourth part of a circle q what makes you a fellow craft a my obligation q where were you made a fellow craft a within the body of a just and duly constituted

fellowship procedure canadian academy of engineering - Feb 24 2022

web fellowship procedure election to the canadian academy of engineering cae recognizes outstanding achievements and service to engineering in canada and the world fellows have distinguished themselves in different sectors including business academia and government and in different roles such as business management executive management

fellow craft examination flashcards quizlet - Jan 06 2023

web study with quizlet and memorize flashcards containing terms like are you a fellow craft by what will you be tried why by the square and more

episode 4 the fellow craft degree education by rubicon - Jun 30 2022

web nov 8 2020 discovering freemasonry is an 8 part series presented by rubicon masonic society which is an invitation only private group of master mason freemasons locat

fellow craft degree questions and answers acscu net - May 30 2022

web fellowcraft examination answers i furthermore promise and swear that i will not cheat wrong or defraud a lodge of fellow craft or a brother of this degree knowingly or wittingly paragraph 6 all this i most solemnly and sincerely promise and swear with a firm and steadfast resolution to keep and perform the same without the least

fellow craft degree profesincy flashcards cram com - Nov 04 2022

web study flashcards on fellow craft degree profesincy at cram com quickly memorize the terms phrases and much more
cram com makes it easy to get the grade you want

[masonic principles proficiency for the fellow craft degree](#) - Oct 15 2023

web the fellow craft degree addresses the mind and its faculties we are instructed in the seven liberal arts and sciences
which were formulated hundreds of years ago in order to develop and perfect the mental nature the intention of the second
degree was to prepare the mind for spiritual truths fc basic education course pg 3 1

60 musculation du quadriceps assis dynamique masseur - Nov 06 2022

web position de départ assis en bord de table jambe pendante poids fixé à la cheville action tendez la jambe tenez en
contraction statique ou alternez les montées descentes

[pied a c quilibre et traitements posturaux pdf uniport edu](#) - Dec 27 2021

web mar 23 2023 pied a c quilibre et traitements posturaux 1 8 downloaded from uniport edu ng on march 23 2023 by guest
pied a c quilibre et traitements posturaux when people should go to the book stores search introduction by shop shelf by
shelf it is in point of fact problematic this is why we present the books compilations in this website it

pied a c quilibre et traitements posturaux pdf uniport edu - Jan 08 2023

web jun 4 2023 pied a c quilibre et traitements posturaux 2 11 downloaded from uniport edu ng on june 4 2023 by guest
nombreuses stratégies novatrices et holistiques pour restaurer et renforcer la posture et la fonctionnalité du mouvement ces
concepts théoriques offrent au praticien les bénéfices suivants 1 anatomy trains

pied équilibre et traitements posturaux by api association de - Jan 28 2022

web march 14th 2020 voici 4 traitements maison contre la goutte au pied de plus pour maintenir son é quilibre un ensemble
de muscles dits posturaux dans les mollets et sendmail3 screenrec com 2 15

[pied a c quilibre et traents posturaux pdf](#) - Aug 15 2023

web stimulate metamorphosis is really astonishing within the pages of pied a c quilibre et traents posturaux an enthralling
opus penned by a very acclaimed wordsmith readers embark on an immersive expedition to unravel the intricate significance
of language and its indelible imprint on our lives

pilates etirement du quadriceps doctissimo - Sep 04 2022

web dec 15 2015 patience pour celles qui souhaiteraient des résultats rapides le pilates est avant tout une gym douce
comptez donc une vingtaine de séances avant de voir les muscles se dessiner découvrez les 50 postures de base pour
commencer le pilates en toute sérénité merci à caroline hauwel coach de power pilates à l usine

musculation des quadriceps les exercices pour les muscler - Mar 30 2022

web cet exercice très connu également permet de renforcer les quadriceps les fessiers et les ischio jambiers en partant de la

position debout vous effectuez un pas en avant puis vous fléchissez

[gcca eu](#) - Feb 09 2023

web apache 2 4 57 debian server at gcca eu port 80

exercices musculation quadriceps mouvement pour muscler les - Apr 30 2022

web muscler les cuisses avec des mouvements à la barre ou aux haltères avec ces exercices spécial quadriceps vous sollicitez tous les muscles des jambes presse à cuisses pieds serrés

[pied a c quilibre et traitements posturaux full pdf](#) - Jun 01 2022

web pied a c quilibre et traitements posturaux if you ally craving such a referred pied a c quilibre et traitements posturaux books that will present you worth acquire the enormously best seller from us currently from several preferred authors if you desire to entertaining books lots of novels tale jokes and more fictions collections

pied a c quilibre et traitements posturaux 2022 - Dec 07 2022

web begin getting this info get the pied a c quilibre et traitements posturaux connect that we manage to pay for here and check out the link you could buy guide pied a c quilibre et traitements posturaux or acquire it as soon

pied a c quilibre et traitements posturaux pdf pdf - May 12 2023

web et méthodes d'évaluation de l'équilibration et du contrôle postural mais aussi les aspects théoriques et pratiques de la rééducation sans oublier de livrer les récents résultats issus de la recherche

[pied a c quilibre et traitements posturaux](#) - Jun 13 2023

web pra c venir les risques traumatiques au cours du geste sportif l'expérience des éducateurs et des techniciens dans chaque sport est indispensable pour permettre à tous les maîtres et kinésithérapeutes qui sont amenés à conseiller et assurer l'équilibre du sportif le football

[pied a c quilibre et traitements posturaux pdf](#) - Aug 03 2022

web recognizing the pretension ways to acquire this ebook pied a c quilibre et traitements posturaux is additionally useful you have remained in right site to begin getting this info get the pied a c quilibre et traitements posturaux colleague that we provide here and check out the link you could buy guide pied a c quilibre et traitements

[pied a c quilibre et traitements posturaux pdf pdf](#) - Jul 14 2023

web apr 5 2023 the expense of pied a c quilibre et traitements posturaux pdf and numerous book collections from fictions to scientific research in any way in the midst of them is this pied a c quilibre et traitements posturaux pdf that can be your partner

pied a c quilibre et traitements posturaux pdf uniport edu - Apr 11 2023

web apr 8 2023 pied a c quilibre et traitements posturaux 2 8 downloaded from uniport edu ng on april 8 2023 by guest

medical ethical philosophical and anthropological aspects the concepts designed to manage the legal problems that occur when a life comes to an end are closely linked to the culture of each country for

ped a c quilibre et traitements posturaux avenza dev avenza - Feb 26 2022

web dec 10 2022 *ped a c quilibre et traitements posturaux 2 8* downloaded from *avenza dev avenza com* on december 10 2022 by guest posturography international symposium 1985 pratiques en posturologie pierre marie gagey 2017 09 05 la posturologie traite les douleurs chroniques les instabilités et sensations vertigineuses liées aux

ped équilibre et traitements posturaux by api association de - Mar 10 2023

web test d quilibre et de proprioception *ped cur april 8th 2020* *ped Équilibre et traitements posturaux* download now jump to page you are on page 1 of 3 test d quilibre et de proprioception ce test d quilibre statique sur une jambe mesure l efficacit de la proprioception et du contrle de la orientation sutd edu sg 1 8

ped a c quilibre et traitements posturaux pdf avenza - Jul 02 2022

web nov 6 2022 *ped a c quilibre et traitements posturaux 1 10* downloaded from *avenza dev avenza com* on november 6 2022 by guest *ped a c quilibre et traitements posturaux* right here we have countless book *ped a c quilibre et traitements posturaux* and collections to check out we additionally pay for variant types and in addition to type

ped équilibre et posture by ph villeneuve - Oct 05 2022

web *ped équilibre et posture by ph villeneuve* *ped équilibre et posture by ph villeneuve* postural pattern alterations in orthopaedics and analyse structurale et stylistique du theme de l attente la place de l oculomotricit dans le maintien de l quilibre sur la crise alimentaire et les meutes de la faim de 2008 yoga et quilibre ify idf

quality assurance committee meeting minutes template - Dec 26 2021

web 4 *quality assurance committee meeting minutes template 2022 01 22* delivery the new accreditation system an overview from the joint commission on accreditation of healthcare organizations clinical quality the effective relationship of hospital management and the medical staff defining and measuring the quality of health care setting

quality assurance committee meeting minutes template book - Feb 25 2022

web *minutes of meeting s of the ontario select committee on crop insurance jan 24 2022* at a meeting of the committee appointed by a general meeting of the subscribers held the 18th of november last jun 04 2020

quality assurance meeting agenda do your meetings suck - Sep 03 2022

web jan 4 2022 surveys can include a quality assurance meeting agenda template where meeting participants are asked to grade the meeting the survey results can summarize how your employees rate your department or company meetings and let you know their general feelings afterward

free quality control meeting minutes template - Mar 09 2023

web free quality control meeting minutes template part of the construction free download this quality control meeting minutes template design in word google docs apple pages format easily editable printable downloadable enhance quality management processes with our quality control meeting minutes template

quality advisory committee meeting template fellow app - May 11 2023

web quality advisory committee meeting template use this quality advisory committee meeting template for a 90 minute quality advisory committee deep dive hospital staff meetings get this free template share

quality advisory committee meeting cpso - Apr 10 2023

web minutes template revised march 12 2018 quality advisory committee meeting company name minutes date time participants list chair person first then others in alphabetical order note if anyone is on the phone regrets list in alphabetical order 1 approval of minutes from insert date

qaa qapi meeting agenda guide hqin - Jan 07 2023

web feb 3 2023 this guide outlines regulations and other considerations for a quality assurance and assessment qaa committee to coordinate and evaluate activities under the quality assessment and performance improvement qapi program qaa qapi meeting agenda guide

quality assurance meeting agenda template template by - May 31 2022

web with the help of the quality assurance meeting agenda templates you can efficiently man your tasks and improved productivity

qa monthly meeting minutes department of mental health - Jan 27 2022

web qa monthly meeting minutes a a a january 2018 january 2019 february 2018 february 2019 march 2018 march 2019 april 2018

qms management review meeting minutes word template - Jul 13 2023

web feb 10 2022 the qms management review meeting minutes is a vital part of any organization s operations this meeting is used to assess the organization s progress identify problems and potential solutions and make decisions to help the company move forward the minutes from this meeting are a valuable record of what was discussed

ifa minutes template institute for apprenticeships and technical - Aug 02 2022

web 2 1 the committee considered the minutes from the last meeting on 22 january and agreed that they were a true record action 1 the assessment and quality assurance team to ensure that issues and risks on assessment plans be shared and exchanged with the quality assurance committee and the approval and funding committee

quality assurance committee meeting meeting agenda cpso - Nov 05 2022

web quality assurance committee meeting ohp name meeting agenda date time participants meetings must include

representation from all staff providing patient care for every type of anesthetic or procedure list chair person first then others in alphabetical order note if anyone is on the phone regrets list in alphabetical order 1

quality assurance meeting agenda template clickup - Jun 12 2023

web clickup s quality assurance meeting agenda template is designed to streamline your qa meetings and ensure efficient communication and collaboration here are the main elements of this doc template

advisory committee meeting minutes template - Oct 04 2022

web this easily editable meeting minutes has all the necessary sections for a comprehensive record of the change advisory discussions change management decisions quality assurance revisions and other significant events that transpired during the conference

qaa qapi meeting agenda telligen qi connect - Sep 15 2023

web the qaa qapi meeting agenda template is a customizable template for quality assessment and assurance committee qaa and quality assurance and performance improvement qapi team meetings the agenda supports efforts to document meeting discussions actions and sustainment of improvements

quality improvement meeting minutes template - Nov 24 2021

web our quality improvement meeting minutes template is designed to help you create meeting minutes that are both clear and professional our template includes all necessary sections from an introduction that explains what the meeting is about to a summary of what was discussed to a copy of any action items instant download instant download

quality assurance meeting agenda do your meetings suck quality - Apr 29 2022

web jan 4 2022 quality control meeting minutes template download in word google docs apple pages stratosclear com now belongs on award time to creation a quality assurance meeting agenda discover how with agreedo now is an excellent time to create a good assurance meeting show discover how about agreedo features pricing

templates for keeping meeting minutes microsoft create - Dec 06 2022

web keep meeting minutes and notes with ease using templates spend more time taking effective meeting minutes and less time organizing them start with a designer developed customizable meeting minutes template minutes make hours so don t waste them on tasks that you can do faster with the help of easy to use templates keeping track of

qa monthly meeting minutes template - Feb 08 2023

web professional meeting minutes download this qa monthly meeting minutes template design in word google docs apple pages format easily editable printable downloadable document key decisions actions and discussions that took place during the meeting without working on a clean slate

training and quality assurance committee meeting minutes - Oct 16 2023

web feb 16 2020 2020 training and quality assurance committee meeting minutes committee meeting minutes 16 february 2020 committee meeting minutes 2 june 2020 committee meeting minutes 16 august 2020 archives 2019 training and quality assurance committee meeting minutes 2018 training and quality assurance

quality assurance meeting agenda do your meetings suck - Mar 29 2022

web jan 4 2022 quality assurance meeting agenda template meeting agenda meet agenda template agenda template now is einer excellent time in creates a q assurance conference agenda what is a qa gather a qa quality assurance meeting is done to review of performance of the products and services of your organization

quality management meeting minutes template - Aug 14 2023

web meeting minutes format download this quality management meeting minutes template design in word google docs apple pages format easily editable printable downloadable improve your team s communication and accountability with this quality management meeting minutes template

qaa qapi meeting agenda guide qualis health - Jul 01 2022

web nov 28 2019 qaa qapi meeting agenda guide date of meeting the facility is required to have a qaa committee do not need to use this name that meets at least quarterly and as needed to coordinate and evaluate activities under the qapi program