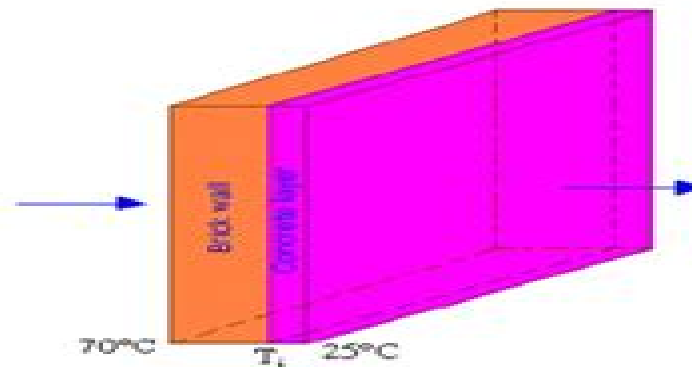


SOLVED PROBLEMS IN HEAT TRANSFER

Heat Loss by Conduction

A plane brick wall, 25 cm thick, is faced with 5 cm thick concrete layer. If the temperature of the exposed brick face is 70°C and that of the concrete is 25°C, find out the heat lost per hour through a wall of 15 m × 10 m. Also, determine the interface temperature. Thermal conductivity of the brick and concrete are 0.7 W/m.K and 0.95 W/m.K respectively.

Calculations:



$$\text{Heat loss } Q = (T_a - T_b) / R$$

Where $T_a = 70^\circ\text{C}$; $T_b = 25^\circ\text{C}$; and

$$R = R_{\text{brick}} + R_{\text{concrete}}$$

$$R_{\text{brick}} = L_{\text{brick}} / (A k_{\text{brick}})$$

$$R_{\text{concrete}} = L_{\text{concrete}} / (A k_{\text{concrete}})$$

$$A = 15 \times 10 = 150 \text{ m}^2$$

$$R_{\text{brick}} = 0.25 / (150 \times 0.7) = 2.381 \times 10^{-3} \text{ }^\circ\text{C/W}$$

$$R_{\text{concrete}} = 0.05 / (150 \times 0.95) = 3.509 \times 10^{-4} \text{ }^\circ\text{C/W}$$

$$R = 2.381 \times 10^{-3} + 3.509 \times 10^{-4} = 2.732 \times 10^{-3} \text{ }^\circ\text{C/W}$$

$$Q = (70 - 25) / (2.732 \times 10^{-3}) = 16471.4 \text{ W} = 16471.4 \text{ J/sec} = 59.3 \text{ MJ/hr}$$

Heat loss per hour = 59.3 MJ

At steady state, this is the amount of heat transferred through the brick wall or concrete per hour.

$$Q = A k_{\text{brick}} (T_a - T_i) / L_{\text{brick}} = 16471.4 \text{ W}$$

$$150 \times 0.7 \times (70 - T_i) / 0.25 = 16471.4$$

$$70 - T_i = 39.2$$

$$T_i = 70 - 39.2 = 30.8^\circ\text{C}$$

Interface temperature $T_i = 30.8^\circ\text{C}$

One Thousand Solved Problems In Heat Transfer

Donald R. Pitts, Leighton Esten Sissom



One Thousand Solved Problems In Heat Transfer:

One Thousand Solved Problems in Heat Transfer Donald R. Pitts, Leighton Esten Sissom, 1990 **1000 Solved Problems in Heat Transfer** Donald R. Pitts, Leighton E. Sissom, 1991 A compilation of 1000 problem solving exercises with solutions on heat transfer this text for undergraduates aims to provide a range of all possible problems which students may face

Subject Guide to Books in Print ,1971 **The Cumulative Book Index** ,1992 A world list of books in the English language

Forthcoming Books Rose Army, 1991 *Transactions of the American Society of Mechanical Engineers* American Society of Mechanical Engineers, 1930 Vols 2 4 11 62 68 include the Society's Membership list v 55 80 include the Journal of applied mechanics also issued separately as contributions from the Society's Applied Mechanics Division

Applied Mechanics Reviews ,1982 **Scientific and Technical Aerospace Reports** ,1988-04 *The Oil and Gas Journal* ,1927

Handbook of Refrigerating Engineering Willis Raymond Woolrich, 1929 **Canadian Chemistry and Metallurgy** ,1930

Journal of the American Society of Heating and Ventilating Engineers American Society of Heating, Refrigerating and Air-Conditioning Engineers, 1926 *Circular ...* ,1928 Chemical & Metallurgical Engineering Eugene Franz Roeber, Howard Coon Parmelee, 1924

Industrial Refrigeration ,1922 *Industrial & Engineering Chemistry* ,1926 **Combustion** ,1923 The Journal of Industrial and Engineering Chemistry ,1923

Engineering and Finance ,1922 **Engineering Journal** ,1930 Includes the annual reports of the Institute's Council committees and branches issued 1919 56 in a regular no and 1957 as a supplement to the Apr no

Immerse yourself in the artistry of words with is expressive creation, **One Thousand Solved Problems In Heat Transfer** . This ebook, presented in a PDF format (*), is a masterpiece that goes beyond conventional storytelling. Indulge your senses in prose, poetry, and knowledge. Download now to let the beauty of literature and artistry envelop your mind in a unique and expressive way.

<https://staging.gilderlehrman.org/results/browse/default.aspx/Magic%20Skeleton.pdf>

Table of Contents One Thousand Solved Problems In Heat Transfer

1. Understanding the eBook One Thousand Solved Problems In Heat Transfer
 - The Rise of Digital Reading One Thousand Solved Problems In Heat Transfer
 - Advantages of eBooks Over Traditional Books
2. Identifying One Thousand Solved Problems In Heat Transfer
 - Exploring Different Genres
 - Considering Fiction vs. Non-Fiction
 - Determining Your Reading Goals
3. Choosing the Right eBook Platform
 - Popular eBook Platforms
 - Features to Look for in an One Thousand Solved Problems In Heat Transfer
 - User-Friendly Interface
4. Exploring eBook Recommendations from One Thousand Solved Problems In Heat Transfer
 - Personalized Recommendations
 - One Thousand Solved Problems In Heat Transfer User Reviews and Ratings
 - One Thousand Solved Problems In Heat Transfer and Bestseller Lists
5. Accessing One Thousand Solved Problems In Heat Transfer Free and Paid eBooks
 - One Thousand Solved Problems In Heat Transfer Public Domain eBooks
 - One Thousand Solved Problems In Heat Transfer eBook Subscription Services
 - One Thousand Solved Problems In Heat Transfer Budget-Friendly Options

6. Navigating One Thousand Solved Problems In Heat Transfer eBook Formats
 - ePub, PDF, MOBI, and More
 - One Thousand Solved Problems In Heat Transfer Compatibility with Devices
 - One Thousand Solved Problems In Heat Transfer Enhanced eBook Features
7. Enhancing Your Reading Experience
 - Adjustable Fonts and Text Sizes of One Thousand Solved Problems In Heat Transfer
 - Highlighting and Note-Taking One Thousand Solved Problems In Heat Transfer
 - Interactive Elements One Thousand Solved Problems In Heat Transfer
8. Staying Engaged with One Thousand Solved Problems In Heat Transfer
 - Joining Online Reading Communities
 - Participating in Virtual Book Clubs
 - Following Authors and Publishers One Thousand Solved Problems In Heat Transfer
9. Balancing eBooks and Physical Books One Thousand Solved Problems In Heat Transfer
 - Benefits of a Digital Library
 - Creating a Diverse Reading Collection One Thousand Solved Problems In Heat Transfer
10. Overcoming Reading Challenges
 - Dealing with Digital Eye Strain
 - Minimizing Distractions
 - Managing Screen Time
11. Cultivating a Reading Routine One Thousand Solved Problems In Heat Transfer
 - Setting Reading Goals One Thousand Solved Problems In Heat Transfer
 - Carving Out Dedicated Reading Time
12. Sourcing Reliable Information of One Thousand Solved Problems In Heat Transfer
 - Fact-Checking eBook Content of One Thousand Solved Problems In Heat Transfer
 - Distinguishing Credible Sources
13. Promoting Lifelong Learning
 - Utilizing eBooks for Skill Development
 - Exploring Educational eBooks
14. Embracing eBook Trends
 - Integration of Multimedia Elements

- Interactive and Gamified eBooks

One Thousand Solved Problems In Heat Transfer Introduction

In this digital age, the convenience of accessing information at our fingertips has become a necessity. Whether its research papers, eBooks, or user manuals, PDF files have become the preferred format for sharing and reading documents. However, the cost associated with purchasing PDF files can sometimes be a barrier for many individuals and organizations. Thankfully, there are numerous websites and platforms that allow users to download free PDF files legally. In this article, we will explore some of the best platforms to download free PDFs. One of the most popular platforms to download free PDF files is Project Gutenberg. This online library offers over 60,000 free eBooks that are in the public domain. From classic literature to historical documents, Project Gutenberg provides a wide range of PDF files that can be downloaded and enjoyed on various devices. The website is user-friendly and allows users to search for specific titles or browse through different categories. Another reliable platform for downloading One Thousand Solved Problems In Heat Transfer free PDF files is Open Library. With its vast collection of over 1 million eBooks, Open Library has something for every reader. The website offers a seamless experience by providing options to borrow or download PDF files. Users simply need to create a free account to access this treasure trove of knowledge. Open Library also allows users to contribute by uploading and sharing their own PDF files, making it a collaborative platform for book enthusiasts. For those interested in academic resources, there are websites dedicated to providing free PDFs of research papers and scientific articles. One such website is Academia.edu, which allows researchers and scholars to share their work with a global audience. Users can download PDF files of research papers, theses, and dissertations covering a wide range of subjects. Academia.edu also provides a platform for discussions and networking within the academic community. When it comes to downloading One Thousand Solved Problems In Heat Transfer free PDF files of magazines, brochures, and catalogs, Issuu is a popular choice. This digital publishing platform hosts a vast collection of publications from around the world. Users can search for specific titles or explore various categories and genres. Issuu offers a seamless reading experience with its user-friendly interface and allows users to download PDF files for offline reading. Apart from dedicated platforms, search engines also play a crucial role in finding free PDF files. Google, for instance, has an advanced search feature that allows users to filter results by file type. By specifying the file type as "PDF," users can find websites that offer free PDF downloads on a specific topic. While downloading One Thousand Solved Problems In Heat Transfer free PDF files is convenient, its important to note that copyright laws must be respected. Always ensure that the PDF files you download are legally available for free. Many authors and publishers voluntarily provide free PDF versions of their work, but its essential to be cautious and verify the authenticity of the source before downloading One Thousand Solved Problems In Heat Transfer. In conclusion, the internet offers numerous platforms and websites that allow users to

download free PDF files legally. Whether its classic literature, research papers, or magazines, there is something for everyone. The platforms mentioned in this article, such as Project Gutenberg, Open Library, Academia.edu, and Issuu, provide access to a vast collection of PDF files. However, users should always be cautious and verify the legality of the source before downloading One Thousand Solved Problems In Heat Transfer any PDF files. With these platforms, the world of PDF downloads is just a click away.

FAQs About One Thousand Solved Problems In Heat Transfer Books

How do I know which eBook platform is the best for me? Finding the best eBook platform depends on your reading preferences and device compatibility. Research different platforms, read user reviews, and explore their features before making a choice. Are free eBooks of good quality? Yes, many reputable platforms offer high-quality free eBooks, including classics and public domain works. However, make sure to verify the source to ensure the eBook credibility. Can I read eBooks without an eReader? Absolutely! Most eBook platforms offer webbased readers or mobile apps that allow you to read eBooks on your computer, tablet, or smartphone. How do I avoid digital eye strain while reading eBooks? To prevent digital eye strain, take regular breaks, adjust the font size and background color, and ensure proper lighting while reading eBooks. What the advantage of interactive eBooks? Interactive eBooks incorporate multimedia elements, quizzes, and activities, enhancing the reader engagement and providing a more immersive learning experience. One Thousand Solved Problems In Heat Transfer is one of the best book in our library for free trial. We provide copy of One Thousand Solved Problems In Heat Transfer in digital format, so the resources that you find are reliable. There are also many Ebooks of related with One Thousand Solved Problems In Heat Transfer. Where to download One Thousand Solved Problems In Heat Transfer online for free? Are you looking for One Thousand Solved Problems In Heat Transfer PDF? This is definitely going to save you time and cash in something you should think about. If you trying to find then search around for online. Without a doubt there are numerous these available and many of them have the freedom. However without doubt you receive whatever you purchase. An alternate way to get ideas is always to check another One Thousand Solved Problems In Heat Transfer. This method for see exactly what may be included and adopt these ideas to your book. This site will almost certainly help you save time and effort, money and stress. If you are looking for free books then you really should consider finding to assist you try this. Several of One Thousand Solved Problems In Heat Transfer are for sale to free while some are payable. If you arent sure if the books you would like to download works with for usage along with your computer, it is possible to download free trials. The free guides make it easy for someone to free access online library for download books to your device. You can get free download on free trial for lots of books categories. Our library is the biggest of these that have literally hundreds of

thousands of different products categories represented. You will also see that there are specific sites catered to different product types or categories, brands or niches related with One Thousand Solved Problems In Heat Transfer. So depending on what exactly you are searching, you will be able to choose e books to suit your own need. Need to access completely for Campbell Biology Seventh Edition book? Access Ebook without any digging. And by having access to our ebook online or by storing it on your computer, you have convenient answers with One Thousand Solved Problems In Heat Transfer To get started finding One Thousand Solved Problems In Heat Transfer, you are right to find our website which has a comprehensive collection of books online. Our library is the biggest of these that have literally hundreds of thousands of different products represented. You will also see that there are specific sites catered to different categories or niches related with One Thousand Solved Problems In Heat Transfer So depending on what exactly you are searching, you will be able to choose ebook to suit your own need. Thank you for reading One Thousand Solved Problems In Heat Transfer. Maybe you have knowledge that, people have search numerous times for their favorite readings like this One Thousand Solved Problems In Heat Transfer, but end up in harmful downloads. Rather than reading a good book with a cup of coffee in the afternoon, instead they juggled with some harmful bugs inside their laptop. One Thousand Solved Problems In Heat Transfer is available in our book collection an online access to it is set as public so you can download it instantly. Our digital library spans in multiple locations, allowing you to get the most less latency time to download any of our books like this one. Merely said, One Thousand Solved Problems In Heat Transfer is universally compatible with any devices to read.

Find One Thousand Solved Problems In Heat Transfer :

magic skeleton

magic numbers human resource management magic numbers for human resource managment

magica sexualis 1934

maigret at the crossroads omnibus

mainline churchs funding crisis issues and possibilities

magic eye ii three dimension trip vision

magical techniques of tibet secret practices of himalayan magic

~~maias veil the cloudships of orion~~

magyarfrancia szotar dictionnaire hongroisfrancais

magical landscapes with angels visible invisible

mail critter board

magic boat a to turn and more

main street festivals traditional and unique events on americas main streets

magic and witchcraft in scotland the magical beliefs and sacred sites of medieval a magnetism of the sexes

One Thousand Solved Problems In Heat Transfer :

la memoria de los seres perdidos spanische lektüre für das - Jan 08 2023

web la memoria de los seres perdidos spanische lektüre für das 4 lernjahr sierra i finden sie alle bücher von bei der büchersuchmaschine eurobuch com können sie antiquarische und neubücher vergleichen und sofort zum bestpreis bestellen sprachkurse deutschland sc 0 0 st free st 2021 03 18t20 01 34 000z

la memoria de los seres perdidos buch spanisch gutefrage - Sep 04 2022

web may 5 2011 beispielsweise weiß ich nicht ob ich el coche de la lucia oder el coche de lucia schreiben muss ich verstehe auch nicht ob ich el árbol de parque oder el árbol del parque benutzen muss das sind bloß beispiele und die frage bezieht sich natürlich auch auf andere verwendungen eine antwort von euch wäre echt hilfreich

la memoria de los seres perdidos spanische lektur 2023 - Apr 11 2023

web conjunto como un panorama general de la ciencia desde la prehistoria hasta nuestro tiempo relacionando de manera significativa los avances científicos y tecnológico con el desarrollo social histórico y cultural de las civilizaciones en que se produjeron

ebook la memoria de los seres perdidos spanische lektur - Aug 03 2022

web la memoria de los seres perdidos spanische lektur jordi sierra i fabra la memoria de los seres perdidos mar 03 2023 trail of the spanish bit jun 25 2022 this is a story of one radically different culture assimilating another and of the humanity discovered and exchanged by each in the process milton among spaniards dec 28 2019

la memoria de los seres perdidos spanische lektüre für das 4 - Feb 09 2023

web la memoria de los seres perdidos spanische lektüre für das 4 und 5 lernjahr easy readers spanisch sierra i fabra jordi isbn 9783125620803 kostenloser versand für alle bücher mit versand und verkauf duch amazon

la memoria de los seres perdidos spanische literatur - Aug 15 2023

web la memoria de los seres perdidos inhalt der thriller la memoria de los seres perdidos ist eine sehr beliebte lektüre im spanischunterricht da der roman auf dem sprachniveau b1 angesiedelt ist eignet er sich für fortgeschrittene also schülerinnen und schüler der oberstufe

la memoria de los seres perdidos spanische lektur pdf - Apr 30 2022

web la memoria de los seres perdidos spanische lektur origen de los seres vivientes segun sus diversas especies y exámen del

transformismo etc a translation of the section psychologia of urrburu s institutiones philosophicae apr 22 2022 el libro de los mdiums aug 27 2022 introduccin a la fsica y a la qumica 1 jan 08 2021

[la memoria de los seres perdidos spanische lektur](#) - Dec 27 2021

web apr 16 2023 computer la memoria de los seres perdidos spanische lektur is easy to use in our digital library an online admission to it is set as public so you can download it instantly our digital library saves in combination countries allowing you to get the most less latency epoch to download any of our books once this one merely said the la memoria

download free la memoria de los seres perdidos spanische lektur - Mar 30 2022

web la memoria de los seres perdidos spanische lektur spanish an essential grammar dec 11 2020 spanish an essential grammar is a concise and user friendly reference guide to the most important aspects of spanish it presents a fresh and accessible description of the language that combines traditional and function based grammar

la memoria de los seres perdidos spanische lektur pdf - Jun 01 2022

web jul 11 2023 memoria de los seres perdidos spanische lektur correspondingly simple didaktik der romanischen sprachen sylvia thiele 2012 01 27 themenfelder dieser einführung sind der institutionelle fremdsprachenerwerb in den drei großen romanischen sprachen eine kritische reflexion

la memoria de los seres perdidos spanische lektüre für das 4 - Mar 10 2023

web seres perdidos la memoria de los seres perdidos la memoria de los seres resúmenes de los capítulos de la memoria de los seres la memoria de los seres perdidos spanische lektüre für die junge estela eine gebürtige argentinierin lebt zusammen mit ihrer familie in barcelona

la memoria de los seres perdidos spanische lektüre für das 4 - May 12 2023

web la memoria de los seres perdidos spanische lektüre für das 4 und 5 lernjahr sierra i fabra jordi amazon com tr kitap fobizz unterrichtsmaterial [la memoria de los seres perdidos](#) - Oct 05 2022

web la memoria de los seres perdidos spanische lektüre in klasse 10 worträtsel mit learningapps erstellen assoziationen landeskundlicher aspekte per answergarden graphisch darstellen sprachmemo auf ein padlet

la memoria de los seres perdidos schulausgabe für das niveau - Nov 06 2022

web la memoria de los seres perdidos schulausgabe für das niveau b1 spanischer originaltext mit annotationen literatura juvenil sierra i fabra jordi isbn 9783125356849 kostenloser versand für alle bücher mit versand und verkauf duch amazon la memoria de los seres perdidos spanische lektüre für das 4 und 5

la memoria de los seres perdidos spanische lektur pdf pdf - Jul 14 2023

web culturales de los desaparecidos siguiendo tres ejes principales los aparecidos transformaciones la memoria heredada movimientos y los cruces entre las reelaboraciones literarias de españa y argentina

la memoria de los seres perdidos spanische lektüre für das 4 - Jul 02 2022

web may 23rd 2020 la memoria de los seres perdidos spanische lektüre für das 4 und 5 lernjahr 8 99 la memoria de los seres perdidos prapedia may 3rd 2020 contenidos1 la memoria de los seres perdidos los libros de 1 0 1 características2 sierra i fabra j memoria de los seres perdidos

la memoria de los seres perdidos spanische lektur pdf full pdf - Jun 13 2023

web jun 22 2023 la memoria de los seres perdidos spanische lektüre für web la memoria de los seres perdidos spanische lektüre für das 4 und 5 lernjahr easy readers spanisch sierra i fabra jordi isbn 9783125620803 kostenloser versand für alle bücher mit versand und verkauf ebook la memoria de los seres perdidos spanische web la memoria de los

la memoria de los seres perdidos buch klett sprachen - Dec 07 2022

web jordi sierra i fabra la memoria de los seres perdidos die junge estela eine gebürtige argentinierin lebt zusammen mit ihrer familie in barcelona ihre heile welt gerät aus den fugen als sie erfährt dass sie nicht nur als baby adoptiert wurde sondern dass darüber hinaus ihre adoptiveltern möglicherweise für den tod ihrer leiblichen eltern zur

la memoria de los seres perdidos spanische lektüre für das 4 - Feb 26 2022

web jun 13 2023 la memoria de los seres perdidos spanische lektüre für das 4 und 5 lernjahr easy readers spanisch by jordi sierra i fabra it cannot consent many times as we notify before yet when realize you give a favorable feedback that you call for to get those every demands in the likewise as having notably money as acknowledged

la memoria de los seres perdidos spanische lektur download - Jan 28 2022

web la memoria de los seres perdidos spanische lektur 2 21 downloaded from ieducar jaciara mt gov br on by guest recover through him we reconstruct the friendship between the two her love story with emilio and her life as a hitwoman rosario tijeras has been recognized as an admirable continuation of a literary subject that was first treated

how to pack a backpack avoid overpacking start backpacking - Jul 05 2022

web aug 19 2020 knowing how to properly and efficiently pack a backpack for overnight trips will save you time and frustration it s important to know what to bring and how to pack it

how not to backpack tips tricks and stories based on years of - Sep 07 2022

web books like how not to backpack tips tricks and stories based on years of doing things the wrong way find out more recommended books with our spot on books app

how to pack a backpack use these tips to pack like a pro - May 03 2022

web how not to backpack budget travel backpacking tips tricks and stories based on years of doing things the wrong way ebook edwards david amazon in books

how not to backpack tips tricks and stories based on years of - Mar 13 2023

web this book can save you 100 s 1000 s or even your life this book is about the really important parts of backpacking that people rarely give a

how not to backpack tips tricks and stories based on - Jul 17 2023

web sep 6 2014 how not to backpack budget travel backpacking tips tricks and stories based on years of doing things the wrong way kindle edition by david edwards author

how not to backpack tips tricks and stories based on years of - May 15 2023

web how not to backpack tips tricks and stories based on years of doing things the wrong way edwards david amazon in books

how not to backpack tips tricks and stories based on years of - Aug 06 2022

web feb 5 2009 packing a backpack to its full capacity is a bad idea when you set out your backpack should be no more than 75 percent full you will most definitely end up

how not to backpack budget travel backpacking tips tricks - Mar 01 2022

how not to backpack tips tricks and stories based on years - Jan 31 2022

how not to backpack tips tricks and stories based on years of - Nov 09 2022

web buy how not to backpack tips tricks and stories based on years of doing things the wrong way by david edwards online at alibris we have new and used copies available

how not to backpack tips tricks and stories based on years of - Feb 12 2023

web how not to backpack budget travel backpacking tips tricks and stories based on years of doing things the wrong way ebook edwards david amazon com au kindle

10 tips for packing a backpack travel channel - Apr 02 2022

web buy how not to backpack tips tricks and stories based on years of doing things the wrong way by mr david edwards online at alibris we have new and used copies

how not to backpack budget travel backpacking tips tricks - Jan 11 2023

web find helpful customer reviews and review ratings for how not to backpack tips tricks and stories based on years of doing things the wrong way at amazon com read

amazon com customer reviews how not to backpack tips - Dec 10 2022

web abebooks com how not to backpack tips tricks and stories based on years of doing things the wrong way 9781505457599 by edwards david and a great selection of

how not to backpack tips tricks and stories based on - Sep 19 2023

web how not to backpack tips tricks and stories based on years of doing things the wrong way edwards david amazon com tr
kitab

how not to backpack tips tricks and stories based on years of - Aug 18 2023

web this book is about the really important parts of backpacking that people rarely give a thought to the things that can turn
someone s dream holiday into the trip from hell this

how not to backpack tips tricks and stories based on years of - Apr 14 2023

web buy how not to backpack tips tricks and stories based on years of doing things the wrong way by edwards mr david
online on amazon ae at best prices fast and free

how to pack a backpack 5 essential tips - Jun 04 2022

web here are 10 tips on properly prepping your pack 1 think about weight and balance when you re packing heavy items
such as camp stoves or campsite food should be carried

amazon com how not to backpack budget travel - Jun 16 2023

web dec 16 2014 how not to backpack tips tricks and stories based on years of doing things the wrong way edwards david
9781505457599 books amazon ca

how not to backpack tips tricks and stories based on years - Oct 08 2022

web how not to backpack tips tricks and stories based on years of doing things the wrong way david edwards 270 pages first
pub 2014 editions

6 macam simpul makrame dapat menjadi kerajinan tangan estetik - Oct 24 2022

web kata makrame berasal dari bahasa turki ma kra ma atau miqramah dalam kbki dijelaskan makrame adalah bentuk suatu
kerajinan simpul menyimpul dengan menggarap rangkaian benang pada awal atau akhir suatu hasil tenunan dengan
membuat berbagai simpul pada rantai benang tersebut sehingga terbentuk aneka rumbai dan jumbai baca

11 kreasi kerajinan makrame yang bisa kamu coba - Mar 17 2022

web sep 12 2023 makrame adalah seni permainan simpul untuk membentuk benda pakai atau benda hias kerajinan
handmade satu ini menghasilkan ragam kreasi produk fungsional maupun dekoratif meski dalam proses pembuatannya
memang butuh kejelian ketelatenan dan kesabaran

makrame adalah seni anyaman simpul berbahan tali ini dia - Nov 24 2022

web apr 13 2023 untuk simpul satu ini menjadi simpul yang biasa digunakan pada kerajinan makrame sebagai penahan baik
pada bagian atas maupun bawah wrapped knot mengunci tali agar kuat menopang benda berat simpul ini dapat dikatakan
menyatukan semua tali dengan cara ujung atas tali arahkan ke atas lalu lilitkan secara memutar pada tali dan

keseuaian fungsi dan kekuatan kerajinan makrame mikirbae com - May 19 2022

web 1 bahan dari alam ada beberapa macam bahan dari alam yang dapat digunakan sebagai bahan membuat kerajinan makrame bahan tersebut kebanyakan berasal dari serat tanaman yang mudah dipilin diantara serat-serat tersebut ada yang cukup kuat dan ulet misalnya saja serat rosela serat rami serat pohon waru serat kulit kelapa dan ijuk

seni makrame definisi bahan dan teknik membuat idn times - Apr 17 2022

web mar 29 2023 makrame berasal dari kata mikramah yang artinya hiasan tangan atau anyaman lalu simpul merupakan bentuk ikatan pada sebuah tali atau benang ikatan ini bisa untuk membuat kerajinan sesuai kebutuhannya atau hanya sekedar sebagai estetika untuk membuat makrame membutuhkan keahlian khusus dalam menyimpul tali
membuat karya seni makrame sederhana mikirbae com - Feb 13 2022

web banyak jenis kerajinan makrame yang sekitar kita misalnya perlengkapan rumah tangga topi sarung tangan kaos kaki tas gesper gelang hiasan dinding dan berbagai benda fungsional lainnya menurut saraswati 1986 makrame berasal dari kata bahasa arab mucharam artinya susunan kisi kisi

pengertian manfaat alat dan bahan serta teknik membuat makrame - Jul 21 2022

web feb 2 2022 dikutip dari kamus besar bahasa indonesia makrame adalah seni kerajinan dalam membuat berbagai simpul pada tali hingga terbentuk aneka rumbai dan jumbai selain tali sebagai bahan utama ada juga beberapa peralatan lain yang harus disiapkan dalam pembuatannya

seni makrame definisi teknik menyimpul cara membuatnya - May 31 2023

web nov 22 2021 dikutip dari kamus besar bahasa indonesia makrame adalah sebuah seni kerajinan menyimpul yang dibuat dengan cara merangkai benang dari awal hingga akhir hingga membentuk suatu tenunan hasil yang didapatkan berupa rumbai bahan utama dalam pembuatan kerajinan tangan ini ialah berbagai macam benang yang disimpul

panduan bikin makrame di rumah simpel - Sep 22 2022

web oct 30 2020 1 makrame adalah menurut kamus besar bahasa indonesia kbbi makrame adalah bentuk seni kerajinan simpul menyimpul dengan menggarap rangkaian benang awal dan akhir suatu hasil tenunan beragam simpul yang dibuat pada rantai benang tersebut nantinya akan membentuk aneka rumbai dan jumbai

apa itu makrame pengertian dan cara pembuatannya tirtio id - Dec 26 2022

web teknik pembuatan makrame menurut laman direktorat sekolah menengah pertama direktorat jenderal pendidikan anak usia dini pendidikan dasar dan pendidikan menengah kementerian pendidikan kebudayaan riset dan teknologi berikut teknik pembuatan makrame 1 teknik anyaman

makrame adalah kerajinan mengikat tali berikut jenisnya yang - Jul 01 2023

web merdeka com makrame berasal dari bahasa arab yakni mucharam yang artinya susunan kisi kisi sedang kata macrame

dari turki yang berarti rumbai rumbai atau migrama yang artinya penyelesaian atau penyempurnaan garapan lap dan selubung muka dengan simpul di mana pada abad ke 13 makrame telah mencapai puncaknya di negara arab

mengenal kerajinan makrame rekreatif - Oct 04 2023

web jun 30 2020 oktober 25 2023 oktober 13 2023 macrem atau biasa disebut the beauty of knots adalah kreasi menjalin simpul ini semula diaplikasikan untuk membuat kain penutup tubuh unta kemudian untuk pertama kalinya di amerika latin kerajinan makrame diperkenalkan sebagai seni kerajinan tangan

mengenal makrame seni menyimpul yang bisa jadi dekorasi - Aug 22 2022

web may 26 2023 tali utama tali inti yang akan digunakan untuk membuat simpul sebenarnya tali pengisi tali atau set tali yang menjadi pengikat simpul sennit simpul atau sekumpulan simpul yang dikerjakan secara berulang ulang makrame adalah seni tenunan kerajinan tangan yang dibuat dengan simpul menyimpul hingga membentuk rangkaian

8 ide kreasi produk kerajinan makrame yang bisa anda coba - Sep 03 2023

web apr 26 2021 makrame dapat didefinisikan sebagai hasil kerajinan kriya tekstil berbahan khusus yakni tali makrame yang dibuat dengan teknik simpul beberapa jenis tali yang bisa buat digunakan untuk makrame antara lain berupa tali rami nylon polyester cotton linen dan berbagai jenis tali lain yang fleksibel serta mudah dilepas saat dianyam

kerajinan makrame dari prakarya hingga ekspor seni kriya - Jun 19 2022

web jul 6 2017 salah satu kegiatan pramuka yang sangat dikenal adalah simpul menyimpul kegiatan sederhana dan menyenangkan ini ternyata bisa mendulang rupiah hal ini dilakukan joko seniman tali makrame dan tali kur hasil karyanya sudah dikirim hingga ke berbagai negara seperti jepang jerman belanda dan swiss baca lainnya seni optik

produk kerajinan teknik makrame mikirbae com - Aug 02 2023

web beberapa produk kerajinan makrame diantaranya adalah sabuk gelang kalung kerudung tas tangan dompet makrame diyakini berasal dari penenun arab abad ke 13 kata macramé berasal dari bahasa arab migramah diyakini berarti handuk bergaris garis hias pinggiran atau selubung bersulam

mengenal jenis jenis simpul makrame Kompas.com - Jan 27 2023

web Kompas.com kerajinan makrame adalah kerajinan yang terbuat dari benang atau tali dengan menggunakan teknik simpul menyimpul kerajinan ini juga sering disebut dengan handmade atau kerajinan tangan makrame dapat diartikan sebagai bentuk seni kerajinan simpul menyimpul dengan menggarap rangkaian benang dari awal hingga akhir suatu

seni makrame pengertian sejarah teknik dasar Kompas.com - Apr 29 2023

web dec 31 2020 menurut kamus besar bahasa indonesia KBBI makrame merupakan bentuk kerajinan simpul menyimpul dengan menggarap rangkaian benang awal dan akhir suatu hasil tenunan dengan membuat berbagai simpul pada rantai benang tersebut sehingga terbentuk aneka rumbai dan jumbai

seni makrame pengertian jenis tali dan macam macam simpul dasarnya - Feb 25 2023

web seni makrame adalah kerajinan yang dibuat dengan cara merangkai atau menyimpul benda benda berupa tali makrame dibuat sebagai hiasan atau sebagai benda pakai lainnya yang proses pembuatannya memerhatikan unsur estetika seni makrame dapat dijumpai dalam berbagai bentuk mulai dari yang sederhana seperti gelang gantungan

6 cara untuk membuat makrame wikipedi - Mar 29 2023

web metode 1 membuat dasar makramé unduh pdf 1 cari benda yang bisa digunakan sebagai penumpu benda yang sering digunakan biasanya cincin atau batang horizontal meskipun makramé dirancang permanen pada penumpunya ada baiknya jika anda menggunakan pensil untuk berlatih