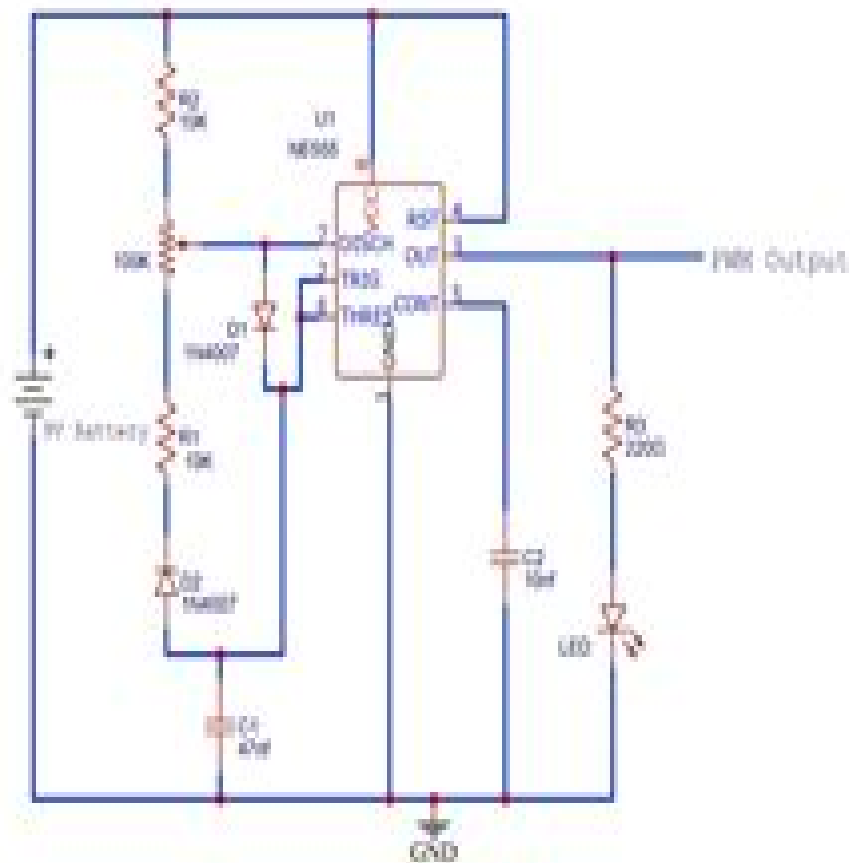


Pulse Width Modulation PWM



Pulse Width Modulation For Power Converters

M Carnoy

A decorative graphic element consisting of a light blue horizontal bar with a rounded right end, partially overlapping a red circular gradient that fades out to the right.

Pulse Width Modulation For Power Converters:

If you ally need such a referred **Pulse Width Modulation For Power Converters** books that will provide you worth, get the completely best seller from us currently from several preferred authors. If you desire to hilarious books, lots of novels, tale, jokes, and more fictions collections are as well as launched, from best seller to one of the most current released.

You may not be perplexed to enjoy all ebook collections Pulse Width Modulation For Power Converters that we will unquestionably offer. It is not approaching the costs. Its very nearly what you craving currently. This Pulse Width Modulation For Power Converters, as one of the most keen sellers here will totally be accompanied by the best options to review.

<https://staging.gilderlehrman.org/About/browse/fetch.php/Running%20Game%20The%20Campaign%20Journals%20Of%20Jo.pdf>

Table of Contents Pulse Width Modulation For Power Converters

1. Understanding the eBook Pulse Width Modulation For Power Converters
 - The Rise of Digital Reading Pulse Width Modulation For Power Converters
 - Advantages of eBooks Over Traditional Books
2. Identifying Pulse Width Modulation For Power Converters
 - Exploring Different Genres
 - Considering Fiction vs. Non-Fiction
 - Determining Your Reading Goals
3. Choosing the Right eBook Platform
 - Popular eBook Platforms
 - Features to Look for in an Pulse Width Modulation For Power Converters
 - User-Friendly Interface
4. Exploring eBook Recommendations from Pulse Width Modulation For Power Converters
 - Personalized Recommendations
 - Pulse Width Modulation For Power Converters User Reviews and Ratings
 - Pulse Width Modulation For Power Converters and Bestseller Lists

5. Accessing Pulse Width Modulation For Power Converters Free and Paid eBooks
 - Pulse Width Modulation For Power Converters Public Domain eBooks
 - Pulse Width Modulation For Power Converters eBook Subscription Services
 - Pulse Width Modulation For Power Converters Budget-Friendly Options
6. Navigating Pulse Width Modulation For Power Converters eBook Formats
 - ePub, PDF, MOBI, and More
 - Pulse Width Modulation For Power Converters Compatibility with Devices
 - Pulse Width Modulation For Power Converters Enhanced eBook Features
7. Enhancing Your Reading Experience
 - Adjustable Fonts and Text Sizes of Pulse Width Modulation For Power Converters
 - Highlighting and Note-Taking Pulse Width Modulation For Power Converters
 - Interactive Elements Pulse Width Modulation For Power Converters
8. Staying Engaged with Pulse Width Modulation For Power Converters
 - Joining Online Reading Communities
 - Participating in Virtual Book Clubs
 - Following Authors and Publishers Pulse Width Modulation For Power Converters
9. Balancing eBooks and Physical Books Pulse Width Modulation For Power Converters
 - Benefits of a Digital Library
 - Creating a Diverse Reading Collection Pulse Width Modulation For Power Converters
10. Overcoming Reading Challenges
 - Dealing with Digital Eye Strain
 - Minimizing Distractions
 - Managing Screen Time
11. Cultivating a Reading Routine Pulse Width Modulation For Power Converters
 - Setting Reading Goals Pulse Width Modulation For Power Converters
 - Carving Out Dedicated Reading Time
12. Sourcing Reliable Information of Pulse Width Modulation For Power Converters
 - Fact-Checking eBook Content of Pulse Width Modulation For Power Converters
 - Distinguishing Credible Sources
13. Promoting Lifelong Learning

- Utilizing eBooks for Skill Development
 - Exploring Educational eBooks
14. Embracing eBook Trends
- Integration of Multimedia Elements
 - Interactive and Gamified eBooks

Pulse Width Modulation For Power Converters Introduction

In today's digital age, the availability of Pulse Width Modulation For Power Converters books and manuals for download has revolutionized the way we access information. Gone are the days of physically flipping through pages and carrying heavy textbooks or manuals. With just a few clicks, we can now access a wealth of knowledge from the comfort of our own homes or on the go. This article will explore the advantages of Pulse Width Modulation For Power Converters books and manuals for download, along with some popular platforms that offer these resources. One of the significant advantages of Pulse Width Modulation For Power Converters books and manuals for download is the cost-saving aspect. Traditional books and manuals can be costly, especially if you need to purchase several of them for educational or professional purposes. By accessing Pulse Width Modulation For Power Converters versions, you eliminate the need to spend money on physical copies. This not only saves you money but also reduces the environmental impact associated with book production and transportation. Furthermore, Pulse Width Modulation For Power Converters books and manuals for download are incredibly convenient. With just a computer or smartphone and an internet connection, you can access a vast library of resources on any subject imaginable. Whether you're a student looking for textbooks, a professional seeking industry-specific manuals, or someone interested in self-improvement, these digital resources provide an efficient and accessible means of acquiring knowledge. Moreover, PDF books and manuals offer a range of benefits compared to other digital formats. PDF files are designed to retain their formatting regardless of the device used to open them. This ensures that the content appears exactly as intended by the author, with no loss of formatting or missing graphics. Additionally, PDF files can be easily annotated, bookmarked, and searched for specific terms, making them highly practical for studying or referencing. When it comes to accessing Pulse Width Modulation For Power Converters books and manuals, several platforms offer an extensive collection of resources. One such platform is Project Gutenberg, a nonprofit organization that provides over 60,000 free eBooks. These books are primarily in the public domain, meaning they can be freely distributed and downloaded. Project Gutenberg offers a wide range of classic literature, making it an excellent resource for literature enthusiasts. Another popular platform for Pulse Width Modulation For Power Converters books and manuals is Open Library. Open Library is an initiative of the Internet Archive, a non-profit organization dedicated to digitizing cultural artifacts and making them accessible to the public. Open

Library hosts millions of books, including both public domain works and contemporary titles. It also allows users to borrow digital copies of certain books for a limited period, similar to a library lending system. Additionally, many universities and educational institutions have their own digital libraries that provide free access to PDF books and manuals. These libraries often offer academic texts, research papers, and technical manuals, making them invaluable resources for students and researchers. Some notable examples include MIT OpenCourseWare, which offers free access to course materials from the Massachusetts Institute of Technology, and the Digital Public Library of America, which provides a vast collection of digitized books and historical documents. In conclusion, Pulse Width Modulation For Power Converters books and manuals for download have transformed the way we access information. They provide a cost-effective and convenient means of acquiring knowledge, offering the ability to access a vast library of resources at our fingertips. With platforms like Project Gutenberg, Open Library, and various digital libraries offered by educational institutions, we have access to an ever-expanding collection of books and manuals. Whether for educational, professional, or personal purposes, these digital resources serve as valuable tools for continuous learning and self-improvement. So why not take advantage of the vast world of Pulse Width Modulation For Power Converters books and manuals for download and embark on your journey of knowledge?

FAQs About Pulse Width Modulation For Power Converters Books

What is a Pulse Width Modulation For Power Converters PDF? A PDF (Portable Document Format) is a file format developed by Adobe that preserves the layout and formatting of a document, regardless of the software, hardware, or operating system used to view or print it. **How do I create a Pulse Width Modulation For Power Converters PDF?** There are several ways to create a PDF: Use software like Adobe Acrobat, Microsoft Word, or Google Docs, which often have built-in PDF creation tools. Print to PDF: Many applications and operating systems have a "Print to PDF" option that allows you to save a document as a PDF file instead of printing it on paper. Online converters: There are various online tools that can convert different file types to PDF. **How do I edit a Pulse Width Modulation For Power Converters PDF?** Editing a PDF can be done with software like Adobe Acrobat, which allows direct editing of text, images, and other elements within the PDF. Some free tools, like PDFescape or Smallpdf, also offer basic editing capabilities. **How do I convert a Pulse Width Modulation For Power Converters PDF to another file format?** There are multiple ways to convert a PDF to another format: Use online converters like Smallpdf, Zamzar, or Adobe Acrobats export feature to convert PDFs to formats like Word, Excel, JPEG, etc. Software like Adobe Acrobat, Microsoft Word, or other PDF editors may have options to export or save PDFs in different formats. **How do I password-protect a Pulse Width Modulation For Power Converters PDF?** Most PDF editing software allows you to add password protection. In Adobe Acrobat, for instance, you can go to "File" -> "Properties"

-> "Security" to set a password to restrict access or editing capabilities. Are there any free alternatives to Adobe Acrobat for working with PDFs? Yes, there are many free alternatives for working with PDFs, such as: LibreOffice: Offers PDF editing features. PDFsam: Allows splitting, merging, and editing PDFs. Foxit Reader: Provides basic PDF viewing and editing capabilities. How do I compress a PDF file? You can use online tools like Smallpdf, ILovePDF, or desktop software like Adobe Acrobat to compress PDF files without significant quality loss. Compression reduces the file size, making it easier to share and download. Can I fill out forms in a PDF file? Yes, most PDF viewers/editors like Adobe Acrobat, Preview (on Mac), or various online tools allow you to fill out forms in PDF files by selecting text fields and entering information. Are there any restrictions when working with PDFs? Some PDFs might have restrictions set by their creator, such as password protection, editing restrictions, or print restrictions. Breaking these restrictions might require specific software or tools, which may or may not be legal depending on the circumstances and local laws.

Find Pulse Width Modulation For Power Converters :

running game the campaign journals of jo

rubkii etnos proiskhozhdenie nazvaniia i istoki gosudarstvennosti

rural development and the state

rudiments of runelore

rules of engagement four couples and american marriage today

russia and the west in the eighteenth century

runner mack

running water ebential guide to the water services

running the palestine blockade the las v

ruby and the muddy dog

runaway wives

rumors of separate worlds

running the course becoming a champion in gods eyes

ruins in a landscape

rush hb of internal medicine

Pulse Width Modulation For Power Converters :

EIC4 Workbook AK | PDF | Phishing | Business English in Common 4. Workbook Answer Key UNIT 1. Answer Key Lesson 1, pp.4-5 3 1. Correct 2. Correct 3. I haven't had a cigarette for three weeks! 4. Workbook Answer Key 4 Workbook. Workbook 4 Answer Key 7. Answer Key. 4. 6. Suggested answers: b Solar ... Workbook. Workbook 4 Answer Key 9. Answer Key. 4. Writing Skills. Unit 1. I ... english_plus_wb4_int_answer_k... Jul 12, 2015 — Turn your PDF publications into a flip-book with our unique Google optimized e-Paper software. START NOW. WORKbook 4Answer key7 ... Workbook answer key 4. foreign language, speaking, communicate well. C. Answers will vary. Exercise 7. Answers will vary. Possible answers: 2. Olivia could be a carpenter because ... English plus 4 - Workbook Answer Key 4 Students' own answers. Workbook answer key ENGLISH PLUS 4 7 PHOTOCOPIABLE © Oxford University Press. 3 1 are taken 5 are designed 2 are bought 6 is sent 3 are ... English in common. 4 : with ActiveBook Summary: An integrated set of 10 lessons for adult and young adult learners teaching English language communication skills that corresponds to level B1-B2 ... Workbook answer key Rogers isn't my English teacher. She's my math teacher. Exercise 11. Hello Good-bye. 1. How are you? WORKBOOK ANSWERS - CCEA GCSE English Language ... CCEA GCSE English Language Workbook. 17. © Amanda Barr 2018. Hodder Education. Task 4: Analysing the language of media texts. Activity 1. 1. • Rhetorical ... Workbook answer keys and transcripts 1 wavelength 2 sorry 3 common 4 eye 5 close. 6 wary. Exercise 2 page 52. 1 ... 4 English-speaking 5 densely populated. 6 mind-blowing 7 bleary-eyed. Exercise ... Introduction to Materials Management (7th Edition) Introduction to Materials Management, Seventh Edition covers all the essentials of modern supply chain management, manufacturing planning and control systems, ... Introduction to Materials Management (7th Edition) - AbeBooks Introduction to Materials Management, Seventh Edition covers all the essentials of modern supply chain management, manufacturing planning and control systems, ... Introduction to Materials Management (7th Edition) Introduction to Materials Management (7th Edition). by J. R. Tony Arnold, Stephen ... J. R. Tony Arnold is the author of 'Introduction to Materials Management ... Introduction to Materials Management (7th Edition ... Introduction to Materials Management (7th Edition) by J. R. Tony Arnold (Dec 31 2010) [unknown author] on Amazon.com. *FREE* shipping on qualifying offers. Introduction To Materials Management - Biblio.com Written in a simple and user-friendly style, this book covers all the basics of supply chain management and production and inventory control. Introduction to Materials Management: - Softcover Introduction to Materials Management, Seventh Edition covers all the essentials of modern supply chain management, manufacturing planning and control systems, ... Introduction to Materials Management by J. R. Tony Arnold Introduction to Materials Management, Seventh Edition covers all the essentials of modern supply chain management, manufacturing planning and control systems ... Introduction to Materials Management - Google Books Introduction to Materials Management, Seventh Edition covers all the essentials of modern supply chain management ... J. R. Tony Arnold, Stephen N. Chapman ... Introduction to Materials Management by J. R. Tony

Arnold ... Introduction to Materials Management, Seventh Edition covers all the essentials of modern supply chain management, manufacturing planning and control systems, ... Introduction to Materials Management (7th Edition) - Biblio Introduction to Materials Management (7th Edition); Author ; Arnold, J. R. Tony; Book Condition ; UsedGood; Quantity Available ; 0131376705; ISBN 13 ; 9780131376700 ... Study Guide and Solutions Manual for Hart/Hadad/Craigne/ ... Study Guide and Solutions Manual for Hart/Hadad/Craigne/Hart's Organic Chemistry: a Brief Course ; Publisher, CENGAGE Learning Custom Publishing; 13th edition (... Study Guide with Solutions Manual for Hart/Craigne ... Succeed in your course with this comprehensive Study Guide and Solutions Manual, which offers solutions to both in-text and end-of-chapter problems with an ... Study Guide with Solutions Manual for Hart/Craigne ... Study Guide with Solutions Manual for Hart/Craigne/Hart/Hadad's Organic Chemistry: A Short Course, 13th by Hart, Harold; Hadad, Christopher M.; Craigne, ... (PDF) Study Guide With Solutions Manual For Hart Craigne ... This kind of PDF FULL Study Guide with Solutions Manual for Hart/Craigne/Hart/Hadad's Organic Chemistry: A Short Course, 12th without we recognize teach the one ... Study Guide with Solutions Manual for Hart/Craigne/Hart/Hadad's ... Study Guide with Solutions Manual for Hart/Craigne/Hart/Hadad's Organic Chemistr, ; Condition. Good ; Quantity. 1 available ; Item Number. 145337098255 ; Book Title. Organic Chemistry - A Short Course Page 1. Page 2. Study Guide and Solutions Manual. Prepared by. David J. Hart. The Ohio State University. Christopher M. Hadad. The Ohio State University. Leslie ... Study Guide with Solutions Manual for Hart/Craigne ... Succeed in your course with this comprehensive Study Guide and Solutions Manual, which offers solutions to both in-text and end-of-chapter problems with an ... Organic Chemistry: Short Course book by Harold Hart Organic Chemistry, a Short Course: Study Guide and Solutions Manual. Harold ... Craigne, Harold Hart. from: \$68.19. Chemistry: The ... Study Guide with Solutions Manual for Hart Craigne Hart ... We have 3 copies of Study Guide with Solutions Manual for Hart Craigne Hart Hadad's Organic Chemistry... for sale starting from \$28.85. TEST BANK FOR ORGANIC CHEMISTRY A Short Course ... Hadad, Leslie E. Craigne, Harold Hart (Study Guide and Solutions Manual) Study Guide and Solutions Manual Prepared by David J. Hart The Ohio State University ...