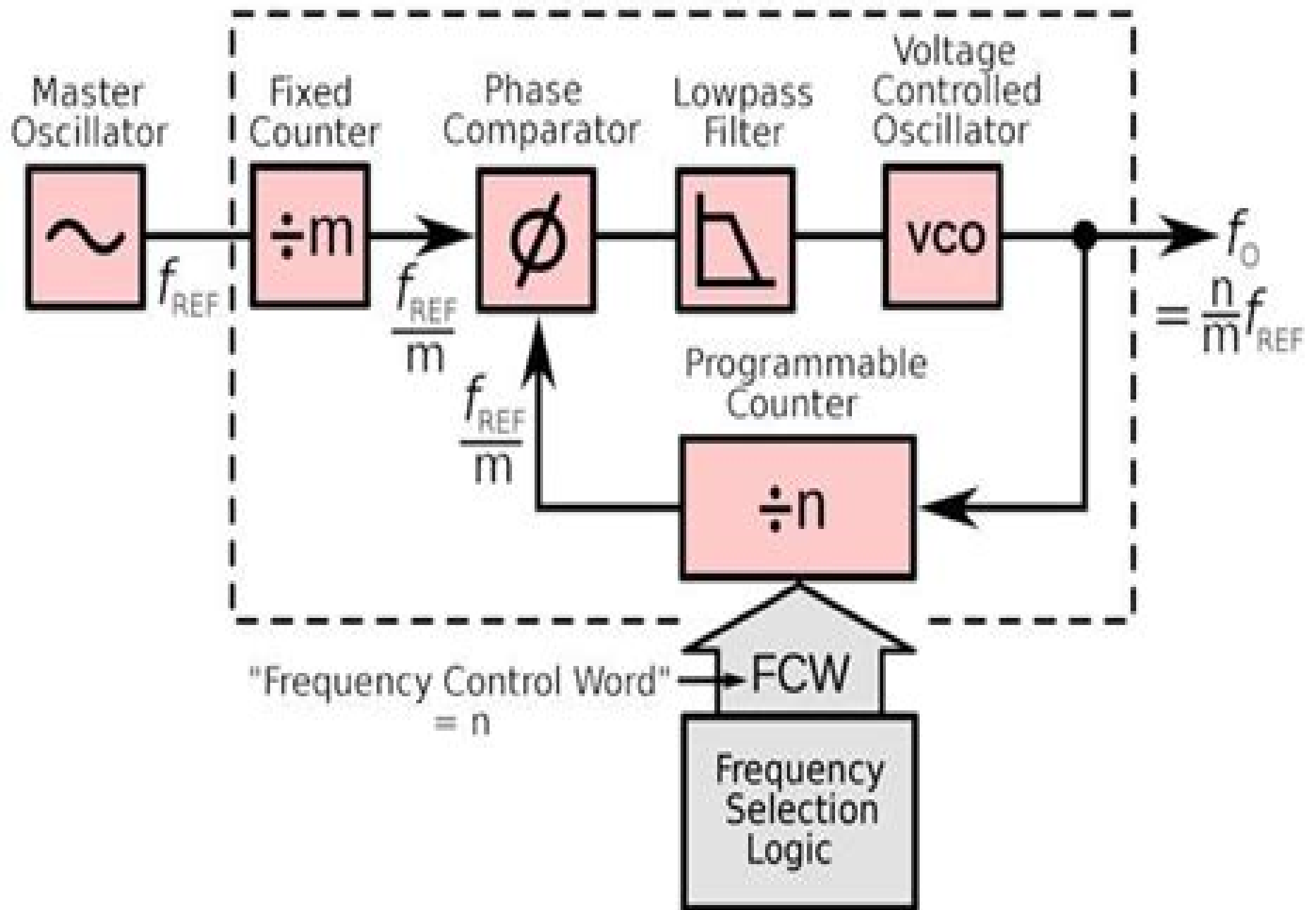


# FREQUENCY SYNTHESIZER



# Microwave Frequency Synthesizers

**LP Steffe**



## **Microwave Frequency Synthesizers:**

## Unveiling the Magic of Words: A Report on "**Microwave Frequency Synthesizers**"

In some sort of defined by information and interconnectivity, the enchanting power of words has acquired unparalleled significance. Their power to kindle emotions, provoke contemplation, and ignite transformative change is actually awe-inspiring. Enter the realm of "**Microwave Frequency Synthesizers**," a mesmerizing literary masterpiece penned by way of a distinguished author, guiding readers on a profound journey to unravel the secrets and potential hidden within every word. In this critique, we shall delve in to the book is central themes, examine its distinctive writing style, and assess its profound impact on the souls of its readers.

<https://staging.gilderlehrman.org/book/virtual-library/default.aspx/prentice%20hall%20assessment%20success%20kit%20middle%20grades%20math.pdf>

### **Table of Contents Microwave Frequency Synthesizers**

1. Understanding the eBook Microwave Frequency Synthesizers
  - The Rise of Digital Reading Microwave Frequency Synthesizers
  - Advantages of eBooks Over Traditional Books
2. Identifying Microwave Frequency Synthesizers
  - Exploring Different Genres
  - Considering Fiction vs. Non-Fiction
  - Determining Your Reading Goals
3. Choosing the Right eBook Platform
  - Popular eBook Platforms
  - Features to Look for in an Microwave Frequency Synthesizers
  - User-Friendly Interface
4. Exploring eBook Recommendations from Microwave Frequency Synthesizers
  - Personalized Recommendations
  - Microwave Frequency Synthesizers User Reviews and Ratings

- Microwave Frequency Synthesizers and Bestseller Lists
- 5. Accessing Microwave Frequency Synthesizers Free and Paid eBooks
  - Microwave Frequency Synthesizers Public Domain eBooks
  - Microwave Frequency Synthesizers eBook Subscription Services
  - Microwave Frequency Synthesizers Budget-Friendly Options
- 6. Navigating Microwave Frequency Synthesizers eBook Formats
  - ePub, PDF, MOBI, and More
  - Microwave Frequency Synthesizers Compatibility with Devices
  - Microwave Frequency Synthesizers Enhanced eBook Features
- 7. Enhancing Your Reading Experience
  - Adjustable Fonts and Text Sizes of Microwave Frequency Synthesizers
  - Highlighting and Note-Taking Microwave Frequency Synthesizers
  - Interactive Elements Microwave Frequency Synthesizers
- 8. Staying Engaged with Microwave Frequency Synthesizers
  - Joining Online Reading Communities
  - Participating in Virtual Book Clubs
  - Following Authors and Publishers Microwave Frequency Synthesizers
- 9. Balancing eBooks and Physical Books Microwave Frequency Synthesizers
  - Benefits of a Digital Library
  - Creating a Diverse Reading Collection Microwave Frequency Synthesizers
- 10. Overcoming Reading Challenges
  - Dealing with Digital Eye Strain
  - Minimizing Distractions
  - Managing Screen Time
- 11. Cultivating a Reading Routine Microwave Frequency Synthesizers
  - Setting Reading Goals Microwave Frequency Synthesizers
  - Carving Out Dedicated Reading Time
- 12. Sourcing Reliable Information of Microwave Frequency Synthesizers
  - Fact-Checking eBook Content of Microwave Frequency Synthesizers
  - Distinguishing Credible Sources

13. Promoting Lifelong Learning
  - Utilizing eBooks for Skill Development
  - Exploring Educational eBooks
14. Embracing eBook Trends
  - Integration of Multimedia Elements
  - Interactive and Gamified eBooks

### **Microwave Frequency Synthesizers Introduction**

Free PDF Books and Manuals for Download: Unlocking Knowledge at Your Fingertips In today's fast-paced digital age, obtaining valuable knowledge has become easier than ever. Thanks to the internet, a vast array of books and manuals are now available for free download in PDF format. Whether you are a student, professional, or simply an avid reader, this treasure trove of downloadable resources offers a wealth of information, conveniently accessible anytime, anywhere. The advent of online libraries and platforms dedicated to sharing knowledge has revolutionized the way we consume information. No longer confined to physical libraries or bookstores, readers can now access an extensive collection of digital books and manuals with just a few clicks. These resources, available in PDF, Microsoft Word, and PowerPoint formats, cater to a wide range of interests, including literature, technology, science, history, and much more. One notable platform where you can explore and download free Microwave Frequency Synthesizers PDF books and manuals is the internet's largest free library. Hosted online, this catalog compiles a vast assortment of documents, making it a veritable goldmine of knowledge. With its easy-to-use website interface and customizable PDF generator, this platform offers a user-friendly experience, allowing individuals to effortlessly navigate and access the information they seek. The availability of free PDF books and manuals on this platform demonstrates its commitment to democratizing education and empowering individuals with the tools needed to succeed in their chosen fields. It allows anyone, regardless of their background or financial limitations, to expand their horizons and gain insights from experts in various disciplines. One of the most significant advantages of downloading PDF books and manuals lies in their portability. Unlike physical copies, digital books can be stored and carried on a single device, such as a tablet or smartphone, saving valuable space and weight. This convenience makes it possible for readers to have their entire library at their fingertips, whether they are commuting, traveling, or simply enjoying a lazy afternoon at home. Additionally, digital files are easily searchable, enabling readers to locate specific information within seconds. With a few keystrokes, users can search for keywords, topics, or phrases, making research and finding relevant information a breeze. This efficiency saves time and effort, streamlining the learning process and allowing individuals to focus on extracting the information they need. Furthermore, the availability of free PDF books and manuals fosters a culture of continuous learning.

By removing financial barriers, more people can access educational resources and pursue lifelong learning, contributing to personal growth and professional development. This democratization of knowledge promotes intellectual curiosity and empowers individuals to become lifelong learners, promoting progress and innovation in various fields. It is worth noting that while accessing free Microwave Frequency Synthesizers PDF books and manuals is convenient and cost-effective, it is vital to respect copyright laws and intellectual property rights. Platforms offering free downloads often operate within legal boundaries, ensuring that the materials they provide are either in the public domain or authorized for distribution. By adhering to copyright laws, users can enjoy the benefits of free access to knowledge while supporting the authors and publishers who make these resources available. In conclusion, the availability of Microwave Frequency Synthesizers free PDF books and manuals for download has revolutionized the way we access and consume knowledge. With just a few clicks, individuals can explore a vast collection of resources across different disciplines, all free of charge. This accessibility empowers individuals to become lifelong learners, contributing to personal growth, professional development, and the advancement of society as a whole. So why not unlock a world of knowledge today? Start exploring the vast sea of free PDF books and manuals waiting to be discovered right at your fingertips.

### **FAQs About Microwave Frequency Synthesizers Books**

How do I know which eBook platform is the best for me? Finding the best eBook platform depends on your reading preferences and device compatibility. Research different platforms, read user reviews, and explore their features before making a choice. Are free eBooks of good quality? Yes, many reputable platforms offer high-quality free eBooks, including classics and public domain works. However, make sure to verify the source to ensure the eBook credibility. Can I read eBooks without an eReader? Absolutely! Most eBook platforms offer web-based readers or mobile apps that allow you to read eBooks on your computer, tablet, or smartphone. How do I avoid digital eye strain while reading eBooks? To prevent digital eye strain, take regular breaks, adjust the font size and background color, and ensure proper lighting while reading eBooks. What the advantage of interactive eBooks? Interactive eBooks incorporate multimedia elements, quizzes, and activities, enhancing the reader engagement and providing a more immersive learning experience. Microwave Frequency Synthesizers is one of the best book in our library for free trial. We provide copy of Microwave Frequency Synthesizers in digital format, so the resources that you find are reliable. There are also many Ebooks of related with Microwave Frequency Synthesizers. Where to download Microwave Frequency Synthesizers online for free? Are you looking for Microwave Frequency Synthesizers PDF? This is definitely going to save you time and cash in something you should think about.

**Find Microwave Frequency Synthesizers :**

prentice hall assessment success kit middle grades math

premieres of the year

**presidential transitions and foreign affairs**

presence of others voices that call for response

**presidency national security policy**

preparing for the 21st century

prevention or pork a hard headed look at youthoriented anticrime programs

prescription for lust

**premises security a guide for security professionals and attorneys**

preparing for the drug free years a family activity

president of a small college

**premier think talk french**

*preparing for effective bible teaching*

~~preschool and early childhood treatment directions~~

*preparation of organic intermediates*

**Microwave Frequency Synthesizers :**

*geronimo stilton tome 04 le secret du sphinx taschenbuch amazon de* - Oct 09 2022

web geronimo stilton tome 04 le secret du sphinx stilton geronimo isbn 9782723484190 kostenloser versand für alle bücher mit versand und verkauf duch amazon

**4 geronimo stilton tome 04 le secret du sphinx geronimo stilton** - Jun 05 2022

web jun 29 2011 découvrez et achetez 4 geronimo stilton tome 04 le secret du sphinx geronimo stilton glénat bd sur leslibraires fr

*geronimo stilton tome 04 le secret du sphinx* - Apr 03 2022

web découvrez geronimo stilton tome 04 le secret du sphinx de stilton geronimo sur librairielapage com

**geronimo stilton tome 04 le secret du sphinx amazon com** - May 16 2023

web jun 29 2011 paperback 19 38 3 used from 15 40 la célèbre souris journaliste en bande dessinée geronimo stilton est le rédacteur en chef de l'Écho du rongeur le quotidien le plus réputé de l'île des souris dans ses temps libres il adore raconter

des histoires amusantes

**geronimo stilton tome 04 le secret du sphinx paperback** - Dec 11 2022

web buy geronimo stilton tome 04 le secret du sphinx by stilton geronimo isbn 9782723484190 from amazon s book store everyday low prices and free delivery on eligible orders

**geronimo stilton tome 04 le secret du sphinx paperback** - Mar 14 2023

web jun 29 2011 dans cette aventure ci geronimo doit faire face à ses pires ennemis les chats pirates qui ont découvert comment voyager dans le temps afin de changer le cours de l histoire ils veulent remplacer le visage du célèbre sphinx par une face de chat parviendront ils à berner le pharaon khéphren pour mener à bien leur projet

**geronimo stilton tome 04 le secret du sphinx abebooks** - Nov 10 2022

web il adore collectionner les vieilles croûtes de fromage du xvie siècle il aime son travail et sa famille il déteste voyager parce qu il a le mal de mer le mal de l air le mal de voiture cependant il est toujours entraîné par sa famille et ses amis dans les aventures les plus rocambolesques autour du monde

geronimo stilton tome 4 le secret du sphinx geronimo stilton - Jul 06 2022

web jun 29 2011 geronimo stilton dirige depuis vingt ans l echo du rongeur le quotidien le plus réputé de l île des souris durant ses heures libres il adore raconter des histoires incroyables dans cette aventure ci geronimo doit faire face à ses pires ennemis les chats pirates qui ont découvert comment voyager dans le temps afin de changer le

**geronimo stilton tome 04 le secret du sphinx geronimo stilton** - Sep 08 2022

web geronimo stilton tome 04 le secret du sphinx geronimo stilton 4 stilton geronimo amazon com au books

**geronimo stilton tome 4 le secret du sphinx bookys ebooks** - Feb 01 2022

web téléchargement gratuit de bandes dessinées geronimo stilton tome 4 le secret du sphinx disponible en pdf epub et kindle lisez écrivez des critiques et bien plus encore

geronimo stilton tome 04 le secret du sphinx goodreads - Jun 17 2023

web geronimo stilton tome 04 book read 36 reviews from the world s largest community for readers la c l bre souris journaliste en bande dessin e geron

**geronimo stilton tome 04 le secret du sphinx geronimo stilton** - Aug 19 2023

web geronimo stilton tome 04 le secret du sphinx geronimo stilton 4 stilton geronimo amazon com tr kitap

**geronimo stilton tome 4 le secret du sphinx bd babelio** - Feb 13 2023

web jul 1 2011 dans ses temps libres il adore raconter des histoires amusantes dans ces nouvelles aventures geronimo doit faire face à ses pires ennemis les chats pirates qui ont découvert comment voyager dans le temps afin de changer l histoire les chats pirates veulent changer le visage du célèbre sphinx pour une face de chat arriveront il

[geronimo stilton tome 04 le secret du sphinx by geronimo stilton](#) - May 04 2022

web secret of the sphinx by geronimo stilton geronimo stilton l imposteur du colise tome 02 fr geronimo stilton tome 04 le secret du achat geronimo stilton tome 9 pas cher ou d occasion rakuten livre geronimo l as du volant geronimo stilton albin le secret de nmsys geronimo stilton self publishing it gronimo stilton tome 1 le sourire de *geronimo stilton tome 04 le secret du sphinx amazon com br* - Mar 02 2022

web compre online geronimo stilton tome 04 le secret du sphinx de stilton geronimo na amazon frete grÁtis em milhares de produtos com o amazon prime rencontre diversos livres escritos por stilton geronimo com ótimos preços

**geronimo stilton tome 04 le secret du sphinx paperback amazon de** - Aug 07 2022

web geronimo stilton tome 04 le secret du sphinx stilton geronimo amazon de books

**geronimo stilton 4 le secret du sphinx bedetheque** - Apr 15 2023

web may 16 2011 dans ces nouvelles aventures geronimo doit faire face à ses pires ennemis les chats pirates qui ont découvert comment voyager dans le temps afin de changer l histoire les chats pirates veulent changer le visage du célèbre sphynx pour une face de chat arriveront ils à berner le pharaon khéphren pour mener à bien leur

**geronimo stilton tome 04 le secret du sphinx by geronimo stilton** - Dec 31 2021

web geronimo stilton tome 04 le secret du sphinx by geronimo stilton kindle edition published in 2013 8408111388 perfect paperback publis livre ta stilton tome 04 en attendant la vague gante december 28th 2019 découvrez et achetez 4 téa stilton tome 04 en attendant la vague téa stilton glénat bd sur leslibraires fr ta stilton tome 01

**geronimo stilton le secret du sphinx tome 04 geronimo stilton** - Jan 12 2023

web geronimo stilton le secret du sphinx tome 04 geronimo stilton geronimo stilton glénat des milliers de livres avec la livraison chez vous en 1 jour ou en magasin avec 5 de réduction

**geronimo stilton tome 04 le secret du sphinx broché** - Jul 18 2023

web geronimo stilton dirige l Écho du rongeur le journal le plus réputé de l Île des souris mais sa passion c est d écrire des livres des histoires drôles plus tendres que la mozzarella plus goûteuses que le gruyère plus savoureuses que le gorgonzola

**earth and space science units and lessons grades for 7 9** - Jun 01 2022

web jul 28 2013 keywords planets discovery dawn deep impact voyager moon apollo mercury gemini space shuttle space station soyuz mir new horizons history rovers unmanned probes galileo cassini messenger soho earth vs mars models science process scale orbits sun size 1 hour 1 hour basic solar system simulator

**y5 earth and space answer key sigma science** - Nov 06 2022

web y5 earth and space answer key to help teachers when marking the assessment this resource is available in the below packages sigma science assessment ks2 assessment ks2 32 assessment ks2 answer keys 20 y6 sample tests and answer keys

6 purchase sigma science ks2 complete

**earth space iscience 2017 mcgraw hill** - Apr 30 2022

web grades 6 8 iscience meets students where they are through engaging features and thought provoking questions that encourage them to relate the science concepts they learn to the world around them the inquiry based 5 e lesson cycle provides active hands on explorations of the concepts

**answer key earth and space science** - Jun 13 2023

web practice test earth and space science 74 answer key sample responses evaluation chart and score calculation tool answer key fill in your answers below and then print this answer key to save your work alternatively you can print the answer key first to fill it out offline as you take the

*earth and space iscience 1st edition solutions and answers quizlet* - Aug 15 2023

web our resource for earth and space iscience includes answers to chapter exercises as well as detailed information to walk you through the process step by step with expert solutions for thousands of practice problems you can take the guesswork out of studying and move forward with confidence

**scientists probe the source of key hydrocarbons on earth and in space** - Dec 27 2021

web 1 day ago scientists probe the source of key hydrocarbons on earth and in space the formation of naphthalene the simplest polycyclic aromatic hydrocarbon from two resonantly stabilized free radicals

*new survey outlines how nasa can help astronauts thrive beyond earth* - Jan 28 2022

web sep 12 2023 new survey outlines what nasa must do over the next 10 years to help astronauts thrive beyond earth by robert lea published 12 september 2023 the decadal survey has highlighted such

[hnh science dimensions earth and space science 1st edition quizlet](#) - Jul 14 2023

web find step by step solutions and answers to hnh science dimensions earth and space science 9780544861817 as well as thousands of textbooks so you can move forward with confidence fresh features from the 1 ai enhanced learning platform

**abeka product information science earth and space answer key** - Jan 08 2023

web assess your student s science comprehension with the science earth and space answer key revised science earth and space is packed with evaluation and application exercises to help your child grasp science concepts this answer key is a resource that includes the answers to section and chapter reviews within the student book

**lesson 1 2 earth and space science the atmosphere literacy** - Oct 05 2022

web as students enter the class have the following written on the board or overhead the greenhouse effect is the warming of the earth and air above it it is caused by gasses in the air that trap energy from the sun

**earth and space answer key answers for 2023 exams** - Sep 04 2022

web 4941 science earth and space answer key a beka book rainbow resource science earth and space is packed with evaluation and application exercises to help your child grasp science concepts this answer key is a resource that includes the answers to section and chapter reviews within the student book

*science earth and space activity book key christianbook com* - Feb 26 2022

web this science earth and space activity book key accompanies the abeka science earth and space activity book this key gives you a copy of the student activity book with answers inserted for easy grading for the stem project you ll get teacher instructions to successfully guide your students through this project you ll also have helpful scheduling

4 earth and space science resources for teaching middle - Mar 30 2022

web glencoe earth science is divided into 7 units 1 earth materials 2 the changing surface of earth 3 earth s internal processes 4 change and earth s history 5 earth s air and water 6 you and the environment and 7 astronomy during this course students learn about matter and its changes minerals rocks

*earth and space science questions and answers* - Apr 11 2023

web get help with your earth and space science homework right here access answers to hundreds of earth and space science questions explained in a way that s easy to follow and understand

chs science knowledge organiser year 5 earth and space - Jul 02 2022

web chs science knowledge organiser year 5 earth and space key vocabulary asteroid a rock that orbits the sun in a belt between mars and jupiter axis an imaginary line through the middle of something i e a planet comet a bright object with a long tail that travels around the sun earth a planet which orbits around the sun in 365 days galaxy an

**physical science with earth and space science quizlet** - Mar 10 2023

web find step by step solutions and answers to physical science with earth and space science 9780030672132 as well as thousands of textbooks so you can move forward with confidence fresh features from the 1 ai enhanced learning platform

earth space iscience 9780076773855 solutions and answers quizlet - May 12 2023

web find step by step solutions and answers to earth space iscience 9780076773855 as well as thousands of textbooks so you can move forward with confidence

earth and space assessment answer key answers for 2023 - Aug 03 2022

web abeka product information science earth and space answer key science earth and space is packed with evaluation and application exercises to help your child grasp science concepts this answer key is a resource that includes the answers to section and chapter reviews within the student book

**unit 1 7 earth and space science the structure of the cosmos** - Dec 07 2022

web time 5 27min reading on what is the evidence for the big bang unit 1 7 handout 2 objectives students will be able to

summarize key concepts and evidence of the big bang theory college and career readiness standards ri rst whst aces skills addressed dfp ls al ct sm

*science earth and space answer key a beka book rainbow* - Feb 09 2023

web assess your student s science comprehension with the science earth and space answer key revised science earth and space is packed with evaluation and application exercises to help your child grasp science concepts this answer key is a resource that includes the answers to section and chapter reviews within the student book

**judy s castration jewels f m sm stories bibliotheca chromaso** - Aug 04 2022

web judy and shelly surveyed the process and thoroughly enjoyed the additional torment each of the women had come several times in the process of castrating these guys judy announced to the new group now each of you in turn will be taken to the whipping post and severely whipped later each off you will learn how to satisfy a woman orally

*milestones too good to be true castration is love* - Jan 09 2023

web oct 14 2021 summary two vixens lure a young man up to their aunt s farm to be castrated here is the story too good to be true one day as i was doing my laundry in my apartment building laundry room two hot young vixens came in they were both wearing cut offs and tight t shirts and no bras

**nurse pamela castration specialist smashwords** - Jan 29 2022

web in a future blackrule and feminist society white males accused of sex harassment can be sentenced to a court ordered castration specialist and the victim of the assault is allowed to be present pamela s expertise at making the experience pleasurable for the so called victim is legendary including one woman who has sent her three subjects

*15 women who castrated husbands boyfriends and other men ranker* - Jul 15 2023

web sep 23 2021 and for some women like the infamous lorena bobbitt the act of castration is way to take revenge out on the men in their lives sometimes it is solely the testicles that get the axe other times the entirety of the genitals are targeted for revenge sometimes there is a good reason other times the lines are blurred

**milestones the wife castration is love** - May 13 2023

web oct 13 2021 castration roleplay my wife started giving me handjobs fairly early on and on two occasions she gave me a special treat by doing some castration roleplay the set up was that i belonged to a small herd of studs kept in a barn by some dominant women that milked them for their sperm my wife told me she had come to do my milking

**milestones the eunuch archive castration is love** - Jun 14 2023

web oct 22 2021 the eunuch archive this is a wonderful resource it s composed of two parts a huge repository of thousands of user submitted castration fantasy stories and a user forum anyone can submit a story but sometimes stories are rejected if there are too many spelling grammatical or formatting errors

**tough revenge 5 women who castrated their boyfriends** - May 01 2022

web tough revenge 5 women who castrated their boyfriends categories history society world by pictolic the case when the threat to tear something off is implemented who how and for what merits in the literal sense of the

**castration world by admin castration is love** - Oct 06 2022

web feb 5 2022 the story of castration of men by women the story of the castration of the husband by the doctor with the details of the procedure the story of castrating young women the story of castrating a young man at a ladies party

**castration of men was based on knowledge of the female body** - Jun 02 2022

web dec 10 2019 the man s testicles and prostate were considered to be the equivalent of the woman s ovaries and uterus says elin björk who recently received her doctorate from the department of thematic

**do women fantasize about castrating a man and would they be** - Dec 08 2022

web we would like to show you a description here but the site won t allow us

**castration for pleasure exploring extreme castration ideations in** - Nov 07 2022

web abstract the eunuch archive ea is an online community which includes individuals who read and write sexual fantasies with themes related to castration and eunuchs here we analyzed the 100 stories rated highest by ea readers among the 8800 currently posted

**emasculatation literotica com** - Feb 27 2022

web apr 17 2023 judged inferior and punished accordingly ultimate sissy surrender emasculated and stripped dignity a story of emasculation jules helps ashley not every story is for you be kind to your erotic creators f4a and other exciting erotic stories at literotica com

**castration sexual violence against men historically entrenched** - Feb 10 2023

web nov 15 2020 women have been both agents of castration culture and staunch opponents of castrating their beloved men in wales in 1402 welsh women reportedly mutilated dead english soldiers after the welsh victory in the battle of bryn glas

**castrating humans a guide that you must read mantra care** - Dec 28 2021

web emasculating someone is when you make them weaker by taking away their power a lot of times people will do this to a slave a criminal or a sex offender in modern medicine orchidectomy is one of the most typical methods to treat testicular cancer and it usually involves removing only one testis

[castration for pleasure exploring extreme castration ideations in](#) - Apr 12 2023

web may 13 2022 only one story featured a female recipient of genital ablation table 1 which was performed by a male the remaining stories featured male protagonists the castratee s age was specified in 57 stories and ranged from 8 to 39 m 19 1 sd 6 1 with the most common age specified as 19 in nine stories legally adult in most

*june 2021 castration is love - Sep 05 2022*

web jun 21 2021 over the years women got more equality with men but the sisterhood were still at work over the years women of the sisterhood were in positions of power and influence their agents infiltrated government the military and the police force they rigged elections and assassinated male candidates

castratrix quarterly a bounty hunter for testicles by cait b - Aug 16 2023

web feb 9 2022 during this the men of the realm were gathered together and separated into two groups by the women the smaller group was the stud group they kept their balls and were slaves to their sex and dominance drives they were kept for if and when any woman might want an old fashion mating

**freedom and the widow ch 16 bdsm literotica com - Mar 11 2023**

web nothing arouses a woman like the prospect of castrating a man you now smell the arousal of a woman who is going to realise that ambition and will thoroughly enjoy doing so my nurses will inject your sack and then your mistress will milk you one final time

*the sexual side of castration narratives fiction written by and for - Jul 03 2022*

web aug 1 2015 castration is the destruction of the testicles or their complete removal medically referred to as an orchiectomy while penectomy refers to total or partial surgical removal of the penis the ea contains four sections a chat room personals discussion board and the fiction archive

**what i m really thinking the castrated man the guardian - Mar 31 2022**

web aug 1 2015 anonymous n early two years ago i sat in a hospital consulting room following a prostate examination and body scan it s not good news the doctor said you have three choices