

(a) For the multistage amplifier circuit shown in Figure Q3 (a), the transistors and circuits parameters are:

$$I_{BQ1} = I_{BQ2} = 20\mu\text{A}, V_{BE(\text{on})} = 0.7\text{ V}, \text{ and } V_T = 0.026\text{V}.$$

- (i) Calculate the input resistance, R_i . [4 Marks]
- (ii) Determine the overall mid-band voltage gain of the amplifier. [6 Marks]

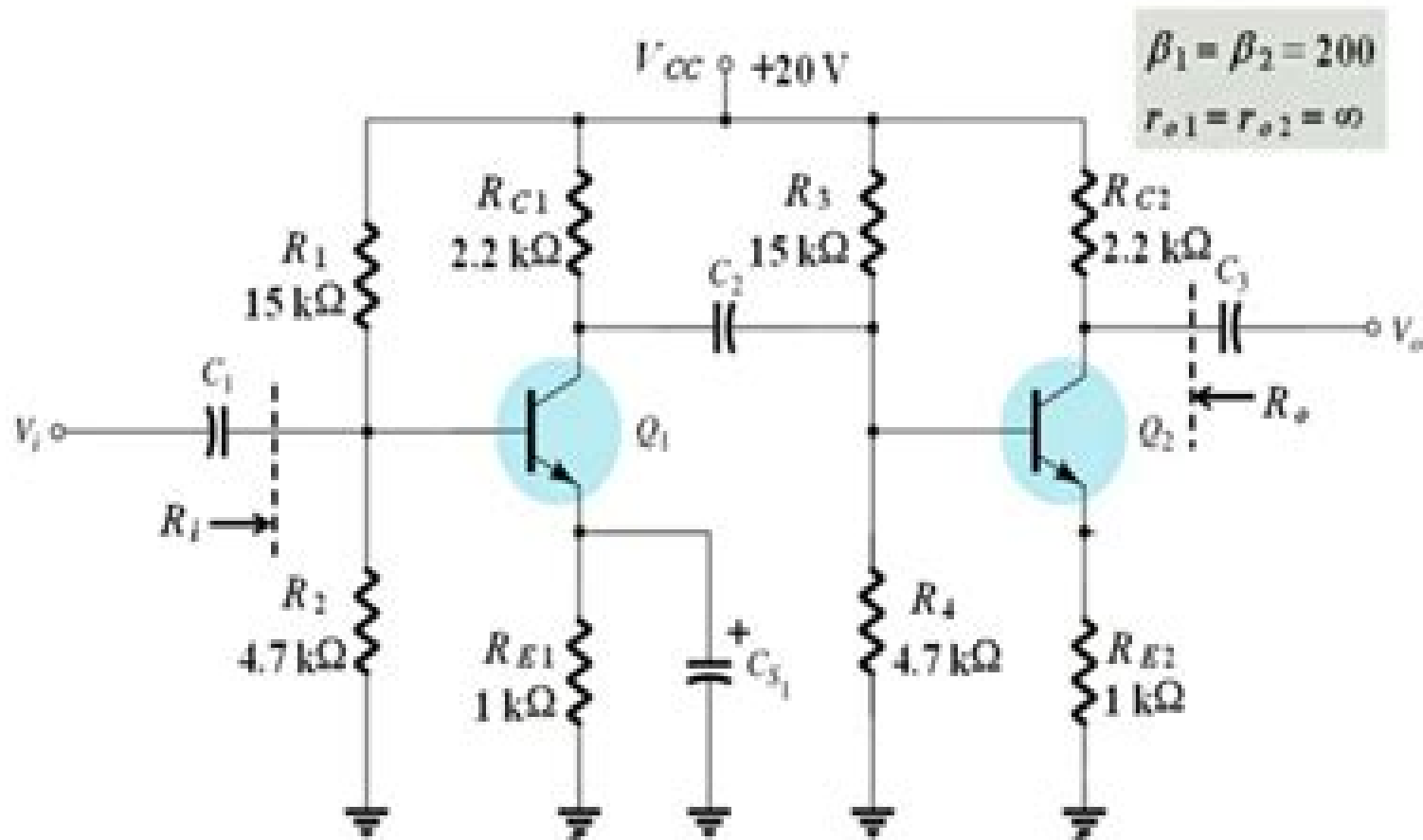


Figure Q3(a)

Multistage Transistor Circuits

S Nieto



Multistage Transistor Circuits:

Thank you for reading **Multistage Transistor Circuits**. Maybe you have knowledge that, people have search numerous times for their chosen novels like this Multistage Transistor Circuits, but end up in malicious downloads. Rather than reading a good book with a cup of tea in the afternoon, instead they juggled with some harmful virus inside their desktop computer.

Multistage Transistor Circuits is available in our book collection an online access to it is set as public so you can get it instantly.

Our digital library hosts in multiple locations, allowing you to get the most less latency time to download any of our books like this one.

Kindly say, the Multistage Transistor Circuits is universally compatible with any devices to read

<https://staging.gilderlehrman.org/About/scholarship/fetch.php/affordable%20way%20to%20rank%20website%20using%20ai%20seo%20tools%20that%20actually%20works%20batch1%20184.pdf>

Table of Contents Multistage Transistor Circuits

1. Understanding the eBook Multistage Transistor Circuits
 - The Rise of Digital Reading Multistage Transistor Circuits
 - Advantages of eBooks Over Traditional Books
2. Identifying Multistage Transistor Circuits
 - Exploring Different Genres
 - Considering Fiction vs. Non-Fiction
 - Determining Your Reading Goals
3. Choosing the Right eBook Platform
 - Popular eBook Platforms
 - Features to Look for in an Multistage Transistor Circuits
 - User-Friendly Interface
4. Exploring eBook Recommendations from Multistage Transistor Circuits

- Personalized Recommendations
- Multistage Transistor Circuits User Reviews and Ratings
- Multistage Transistor Circuits and Bestseller Lists
- 5. Accessing Multistage Transistor Circuits Free and Paid eBooks
 - Multistage Transistor Circuits Public Domain eBooks
 - Multistage Transistor Circuits eBook Subscription Services
 - Multistage Transistor Circuits Budget-Friendly Options
- 6. Navigating Multistage Transistor Circuits eBook Formats
 - ePub, PDF, MOBI, and More
 - Multistage Transistor Circuits Compatibility with Devices
 - Multistage Transistor Circuits Enhanced eBook Features
- 7. Enhancing Your Reading Experience
 - Adjustable Fonts and Text Sizes of Multistage Transistor Circuits
 - Highlighting and Note-Taking Multistage Transistor Circuits
 - Interactive Elements Multistage Transistor Circuits
- 8. Staying Engaged with Multistage Transistor Circuits
 - Joining Online Reading Communities
 - Participating in Virtual Book Clubs
 - Following Authors and Publishers Multistage Transistor Circuits
- 9. Balancing eBooks and Physical Books Multistage Transistor Circuits
 - Benefits of a Digital Library
 - Creating a Diverse Reading Collection Multistage Transistor Circuits
- 10. Overcoming Reading Challenges
 - Dealing with Digital Eye Strain
 - Minimizing Distractions
 - Managing Screen Time
- 11. Cultivating a Reading Routine Multistage Transistor Circuits
 - Setting Reading Goals Multistage Transistor Circuits
 - Carving Out Dedicated Reading Time
- 12. Sourcing Reliable Information of Multistage Transistor Circuits

-
- Fact-Checking eBook Content of Multistage Transistor Circuits
 - Distinguishing Credible Sources
13. Promoting Lifelong Learning
- Utilizing eBooks for Skill Development
 - Exploring Educational eBooks
14. Embracing eBook Trends
- Integration of Multimedia Elements
 - Interactive and Gamified eBooks

Multistage Transistor Circuits Introduction

Multistage Transistor Circuits Offers over 60,000 free eBooks, including many classics that are in the public domain. Open Library: Provides access to over 1 million free eBooks, including classic literature and contemporary works. Multistage Transistor Circuits Offers a vast collection of books, some of which are available for free as PDF downloads, particularly older books in the public domain. Multistage Transistor Circuits : This website hosts a vast collection of scientific articles, books, and textbooks. While it operates in a legal gray area due to copyright issues, its a popular resource for finding various publications. Internet Archive for Multistage Transistor Circuits : Has an extensive collection of digital content, including books, articles, videos, and more. It has a massive library of free downloadable books. Free-eBooks Multistage Transistor Circuits Offers a diverse range of free eBooks across various genres. Multistage Transistor Circuits Focuses mainly on educational books, textbooks, and business books. It offers free PDF downloads for educational purposes. Multistage Transistor Circuits Provides a large selection of free eBooks in different genres, which are available for download in various formats, including PDF. Finding specific Multistage Transistor Circuits, especially related to Multistage Transistor Circuits, might be challenging as theyre often artistic creations rather than practical blueprints. However, you can explore the following steps to search for or create your own Online Searches: Look for websites, forums, or blogs dedicated to Multistage Transistor Circuits, Sometimes enthusiasts share their designs or concepts in PDF format. Books and Magazines Some Multistage Transistor Circuits books or magazines might include. Look for these in online stores or libraries. Remember that while Multistage Transistor Circuits, sharing copyrighted material without permission is not legal. Always ensure youre either creating your own or obtaining them from legitimate sources that allow sharing and downloading. Library Check if your local library offers eBook lending services. Many libraries have digital catalogs where you can borrow Multistage Transistor Circuits eBooks for free, including popular titles. Online Retailers: Websites like Amazon, Google Books, or Apple Books often sell eBooks. Sometimes, authors or publishers offer promotions or free periods for certain books. Authors Website

Occasionally, authors provide excerpts or short stories for free on their websites. While this might not be the Multistage Transistor Circuits full book, it can give you a taste of the authors writing style. Subscription Services Platforms like Kindle Unlimited or Scribd offer subscription-based access to a wide range of Multistage Transistor Circuits eBooks, including some popular titles.

FAQs About Multistage Transistor Circuits Books

How do I know which eBook platform is the best for me? Finding the best eBook platform depends on your reading preferences and device compatibility. Research different platforms, read user reviews, and explore their features before making a choice. Are free eBooks of good quality? Yes, many reputable platforms offer high-quality free eBooks, including classics and public domain works. However, make sure to verify the source to ensure the eBook credibility. Can I read eBooks without an eReader? Absolutely! Most eBook platforms offer web-based readers or mobile apps that allow you to read eBooks on your computer, tablet, or smartphone. How do I avoid digital eye strain while reading eBooks? To prevent digital eye strain, take regular breaks, adjust the font size and background color, and ensure proper lighting while reading eBooks. What the advantage of interactive eBooks? Interactive eBooks incorporate multimedia elements, quizzes, and activities, enhancing the reader engagement and providing a more immersive learning experience. Multistage Transistor Circuits is one of the best book in our library for free trial. We provide copy of Multistage Transistor Circuits in digital format, so the resources that you find are reliable. There are also many Ebooks of related with Multistage Transistor Circuits. Where to download Multistage Transistor Circuits online for free? Are you looking for Multistage Transistor Circuits PDF? This is definitely going to save you time and cash in something you should think about.

Find Multistage Transistor Circuits :

~~affordable way to rank website using AI SEO tools that actually works BATCH1-184~~

~~step by step guide to rank website using AI SEO tools in the United States BATCH1-107~~

~~affordable way to generate leads using AI without paid ads BATCH1-168~~

~~low budget way to use AI for ecommerce store in 2026 BATCH1-1945~~

~~complete beginner guide to create digital products with AI organically BATCH1-715~~

~~low budget way to automate dropshipping with AI for small business owners BATCH1-1840~~

~~affordable way to make money with AI tools organically BATCH1-13~~

~~affordable way to use AI for lead generation for small business owners BATCH1-1660~~

~~low budget way to create faceless YouTube channel with AI in the United States BATCH1-1999~~

~~complete beginner guide to start AI side hustle organically BATCH1-1335~~

~~proven strategy to automate business with AI organically BATCH1-2156~~

~~complete beginner guide to use AI for YouTube automation in the United States BATCH1-1386~~

~~proven strategy to use AI for lead generation with free tools BATCH1-1099~~

easy method to optimize website content using AI organically BATCH1-129

~~proven strategy to use AI for YouTube automation for beginners BATCH1-1753~~

Multistage Transistor Circuits :

the immortal class bike messengers and the cult of human - Apr 05 2022

web buy the immortal class bike messengers and the cult of human power by travis hugh culley online at alibris we have new and used copies available in 2 editions starting at

the immortal class bike messengers and the cult of human - Mar 04 2022

web the immortal class bike messengers and the cult of human power culley travis hugh hugh isbn 9780375760242 kostenloser versand für alle bücher mit versand

the immortal class bike messengers and the cult of - Jan 02 2022

web find helpful customer reviews and review ratings for the immortal class bike messengers and the cult of human power at amazon com read honest and unbiased

the immortal class bike messengers and the cult of human - Jan 14 2023

web abebooks com the immortal class bike messengers and the cult of human power 9780375504280 by culley travis hugh and a great selection of similar new used and

bike messenger npr - Dec 13 2022

web apr 12 2001 travis hugh cully s new book is called the immortal class bike messengers and the cult of human power it s about his days as a bike messenger in chicago the pressure pain and sometimes

the immortal class bike messengers and the cult of human - Oct 31 2021

the immortal class bike messengers and the cult of human - Jul 20 2023

web in the immortal class culley takes us inside the heart and soul of an american urban icon the bicycle messenger in describing his own history and those of his peers he

the immortal class bike messengers and the cult of - Sep 22 2023

web jan 1 2001 3 75 394 ratings 67 reviews travis hugh culley went to chicago to make his name in its thriving theater scene yet found in his day job a sense of community and

the immortal class bike messengers and the cult of human - Jul 08 2022

web search the for website expand more articles find articles in journals magazines newspapers and more catalog explore books music movies and more databases locate databases by title and description journals find journal titles uwdc discover digital collections images sound recordings and more website find information on

[amazon.com customer reviews the immortal class bike](#) - Dec 01 2021

web the immortal class bike messengers and the cult of human power culley travis hugh on amazon.com au free shipping on eligible orders the immortal class

the immortal class bike messengers and the cult of human - Aug 09 2022

web amazon.in buy the immortal class bike messengers and the cult of human power book online at best prices in india on amazon.in read the immortal class bike

the immortal class bike messengers and the cult of human - Sep 10 2022

web the immortal class bike messengers and the cult of human power by culley travis hugh

the immortal class bike messengers and the cult of human - May 06 2022

web all editions of the immortal class bike messengers and the cult of human power 2002 trade paperback isbn 13 9780375760242 2001 hardcover isbn 13

the immortal class bike messengers and the cult of - Feb 15 2023

web the immortal class bike messengers and the cult of human power culley travis hugh 9780375760242 books amazon.ca

the immortal class bike messengers and the cult of human power - Apr 17 2023

web the immortal class bike messengers and the cult of human power travis hugh culley villard books 19 95 352pp isbn 978 0 375 50428 0 puck the scabby roommate

[the immortal class bike messengers and the cult of human power](#) - Oct 11 2022

web apr 19 2001 0 for nearly two hours tuesday evening travis hugh culley an author on tour to support his new book the immortal class bike messengers and the cult of

the immortal class bike messengers and the cult of - Jun 19 2023

web buy the immortal class bike messengers and the cult of human power reprint by culley travis hugh isbn 9780375760242 from amazon's book store everyday

[the immortal class bike messengers and the cult of human](#) - Nov 12 2022

web the immortal class bike messengers and the cult of human power culley travis hugh amazon com au books

the immortal class bike messengers and the cult of human - May 18 2023

web the immortal class culley s vivid evocation of a bicycle messenger s experience and philosophy sheds a compelling light on the way human beings relate to one another and

the immortal class travis hugh culley the immortal class bike - Feb 03 2022

web oct 13 2022 the immortal class bike messengers and the cult of human power is written by travis hugh culley and published by villard unfortunately the narrative is

the immortal class bike messengers and the cult of human power - Aug 21 2023

web aug 13 2002 in the immortal class culley takes us inside the heart and soul of an american urban icon the bicycle messenger in describing his own history and those of

the immortal class bike messengers and the cult of human - Mar 16 2023

web the immortal class bike messengers and the cult of human power author travis hugh culley summary vivid evocation of a bicycle messenger s experience and

the immortal class bike messengers and the cult of human power - Jun 07 2022

web the immortal class bike messengers and the cult of human power i was looking for something light to read this summer after getting bogged down in a book about a bear

mathematical methods for physics and engineering a - Jan 13 2023

web mar 20 2006 mathematical methods for physics and engineering a comprehensive guide 3 edition by k f riley m p hobson s j bence kenneth franklin riley

mathematical methods for physics and engineering a - May 17 2023

web feb 1 1999 40 00 buy this article k f riley m p hobson s j bence donald spector mathematical methods for physics and engineering american journal of

mathematical methods for physics and engineering - Jun 18 2023

web mar 13 2006 mathematical methods for physics and engineering a comprehensive guide authors k f riley m p hobson s j bence edition illustrated reprint

riley hobson bence author of mathematical methods for - Feb 02 2022

web mathematical methods for physics and engineering the third edition of this highly acclaimed undergraduate textbook is suitable for teaching all the mathematics ever

aliekarimi persiangig com - Oct 30 2021

mathematical methods for physics and engineering a - Mar 03 2022

web mar 8 2023 created by importbot imported from library of congress marc record mathematical methods for physics and engineering by k f riley m p hobson s j

mathematical methods for physics and engineering google books - Apr 16 2023

web 0521861535 mathematical methods for physics and engineering third edition k f riley m p hobson and s j bence
frontmatter more information

mathematical methods for physics and engineering a - Nov 11 2022

web riley k f kenneth franklin 1936 mathematical methods for physics and engineering ken riley mike hobson and stephen bence

mathematical methods for physics and engineering a - Dec 12 2022

web feb 1 1999 mathematical methods for physics and engineering 3rd edition february 1999 american journal of physics
doi 10 2277 0521861535 authors k f riley m p

[solutions for mathematical methods for physics and numerade](#) - Jan 01 2022

mathematical methods for physics and engineering - Jun 06 2022

web mathematical methods for physics and engineering a comprehensive guide riley k f hobson m p bence s j amazon in books

mathematical methods for physics and engineering open library - Oct 10 2022

web mar 13 2006 mathematical methods for physics and engineering a comprehensive guide kindle edition by riley k f hobson m p bence s j download it once

[mathematical methods for physics and engineering](#) - Feb 14 2023

web mar 13 2006 mathematical methods for physics and engineering a comprehensive guide riley k f hobson m p bence s j 0884499788515 books amazon ca

mathematical methods for physics and engineering - Mar 15 2023

web mathematical methods for physics and engineering a comprehensive guide riley k f hobson m p bence s j amazon com tr kitap

[mathematical methods for physics and engineering](#) - Aug 08 2022

web it contains 31 stand alone chapters of mathematical methods which enable the students to understand the principles of the basic mathematical techniques and the authors have

mathematical methods physics and engineering comprehensive - Apr 04 2022

web step by step video answers explanations by expert educators for all mathematical methods for physics and engineering 3rd by k f riley m p hobson s j bence

mathematical methods for physics and engineering by k f riley m p hobson s j bence z lib org - Sep 21 2023

web mathematical methods for physics and engineering third edition k f riley m p hobson and s j bence

mathematical methods for physics and engineering a - Jul 07 2022

web this textbook is a well written modern comprehensive and complete collection of topics in mathematical methods ranging from a review of differential and integral calculus to

mathematical methods for physics and engineering 3rd edition - Sep 09 2022

web riley et al has clear thorough and straightforward explanations of the subjects treated it rigorously adopts a three stage approach throughout the book first a heuristic intuitive

mathematical methods for physics and engineering open library - Nov 30 2021

mathematical methods for physics and engineering a - May 05 2022

web combine editions riley hobson bence s books average rating 4 0 2 ratings 0 reviews 1 distinct work mathematical methods for physics and engineering csir

this page intentionally left blank unam - Aug 20 2023

web mar 13 2006 mathematical methods for physics and engineering k f riley m p hobson s j bence cambridge university press mar 13 2006 science the third

mathematical methods for physics and engineering - Jul 19 2023

web mar 13 2006 the third edition of this highly acclaimed undergraduate textbook is suitable for teaching all the mathematics for an undergraduate course in any of the physical

kim freeman profiles facebook - Jan 18 2022

web kim freeman see photos view the profiles of people named kim freeman join facebook to connect with kim freeman and others you may know facebook gives

kevin freeman basketball wikipedia - Dec 17 2021

web kevin freeman born march 3 1978 is an american basketball coach and former professional player who is an assistant coach for the uconn huskies he played

basic training a believer s guide to spiritual battle kim - Aug 05 2023

web apr 1 2003 basic training a believer s guide to spiritual battle paperback april 1 2003 by kim freeman author 5 0 6 ratings see all formats and editions paperback

[basic training kim freeman braincandylove](#) - Nov 15 2021

web feb 27 2023 basic training kim freeman right here we have countless book basic training kim freeman and collections to check out we additionally pay for variant

basic training kim freeman uniport edu ng - May 22 2022

web basic training kim freeman 3 7 downloaded from uniport edu ng on may 5 2023 by guest family attractions judith freeman 1988 a collection of stories as mournful as country

[basic training used book by freeman kim 9781577945758](#) - Dec 29 2022

web buy a used copy of basic training book by freeman kim salvation through jesus christ is the most important decision anyone can make it determines your eternal destiny and

basic training kim freeman uniport edu ng - Jun 22 2022

web apr 22 2023 basic training kim freeman 1 7 downloaded from uniport edu ng on april 22 2023 by guest basic training kim freeman getting the books basic training kim

basic training by freeman kim 2004 trade paperback ebay - Nov 27 2022

web find many great new used options and get the best deals for basic training by freeman kim 2004 trade paperback at the best online prices at ebay free shipping for many

basic training a believer s guide to spiritual battle - Jul 04 2023

web apr 1 2003 buy basic training a believer s guide to spiritual battle by freeman kim isbn 9781577945758 from amazon s book store everyday low prices and free

basic training believers guide by kim freeman abebooks - May 02 2023

web basic training a believer s guide to spiritual battle by kim freeman and a great selection of related books art and collectibles available now at abebooks com

[basic training by freeman kim used book find more books com](#) - Jan 30 2023

web basic training a believer s guide to spiritual battle find all books from kim freeman at find more books com you can find used antique and new books compare results and

basic training by kim freeman open library - Apr 01 2023

web apr 1 2003 basic training by kim freeman april 1 2003 harrison house edition paperback in english

[keman dersi amatörler için sıfırdan detaylı başlangıç udemy](#) - Mar 20 2022

web gündelik hayatta yoğun iş okul temposunun yanında kısıtlı zamanda streslerinizden keman ile uzaklaşabilirsiniz keman tutuşunu çalmayı detaylı ve çok çeşitli örnekler

freeman kim abebooks - Feb 28 2023

web basic training a believer s guide to spiritual battle by kim freeman and a great selection of related books art and collectibles available now at abebooks co uk

basic training bk - Oct 27 2022

web basic training bk kim freeman cancel search home about us products kim freeman reviews 0 view all back 0 0 reviews tags books bchar harri web

basic training kim freeman db csda org - Aug 25 2022

web 2 basic training kim freeman 2021 05 11 eliminate pushy and nippy behavior improve your horse s attitude and help with general horse manners around the barn and on his

basic training kim freeman download only - Jul 24 2022

web basic training kim freeman eqxpressionists nov 17 2021 eqxpressionists is a book about playing with horses as artistic expression featuring interviews with seven

basic training kim freeman store spiralny com - Apr 20 2022

web basic training kim freeman 3 3 platform billboard publishes the most trusted charts and offers unrivaled reporting about the latest music video gaming media digital and

three stages of - Sep 25 2022

web some other good books to read are on spiritual warfare and include basic training by kim freeman spiritual warfare derek prince battlefield of the mind joyce meyer the

basic training a believer s guide to spiritual battle freeman kim - Sep 06 2023

web basic training a believer s guide to spiritual battle by freeman kim publication date 2003 topics spiritual warfare publisher tulsa okla harrison house collection

basic training a believer s guide to spiritual battle kim - Oct 07 2023

web dynamic bible communicator and author kim freeman will inspire and equip you for spiritual warfare by opening your eyes to the simplest and most powerful weapons that

basic training a believer s guide to spiritual battle kim - Jun 03 2023

web basic training a believer s guide to spiritual battle kim freeman amazon com au books

basic training rotten tomatoes - Feb 16 2022

web basic training 1971 documentary 1h 29m 50 ratings all critics top critics verified audience all audience you might also like see more the mark of cain