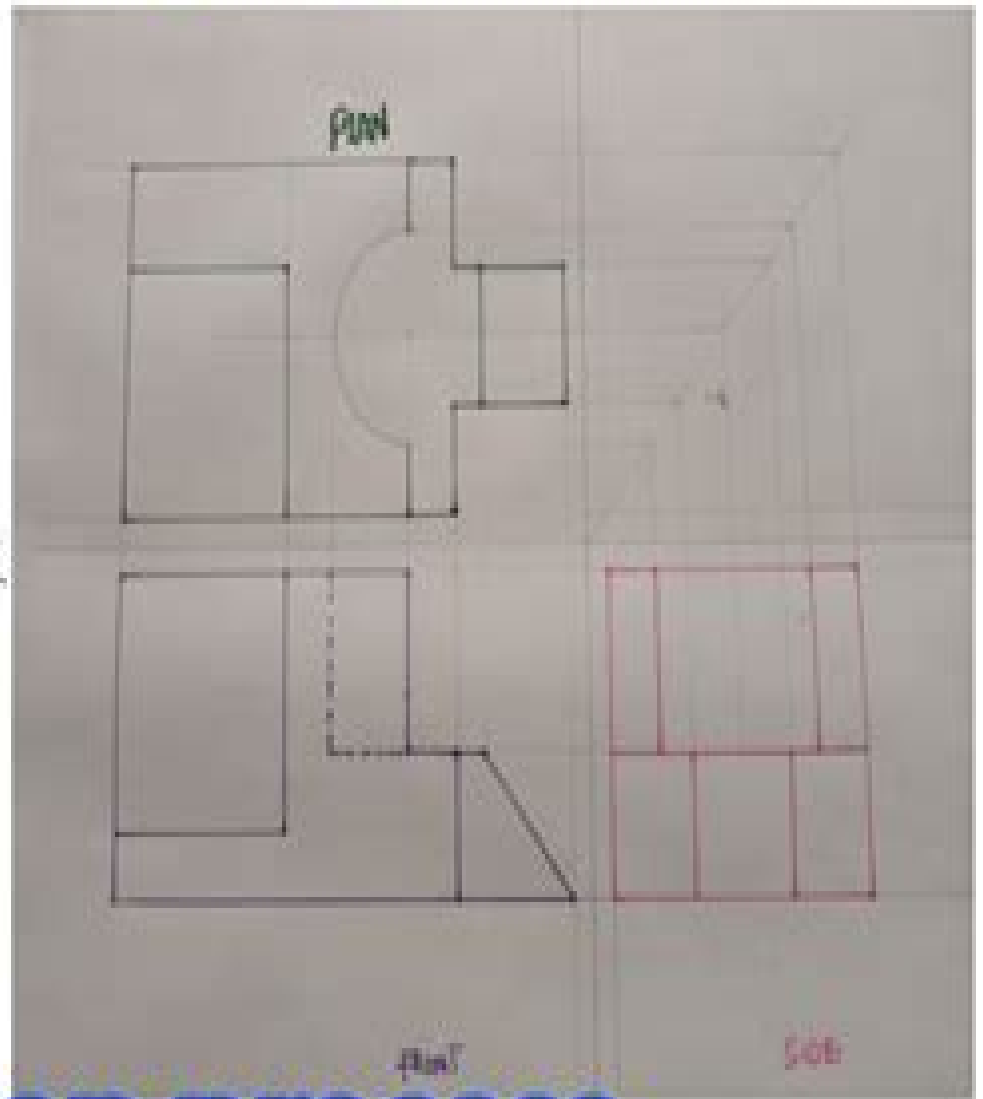
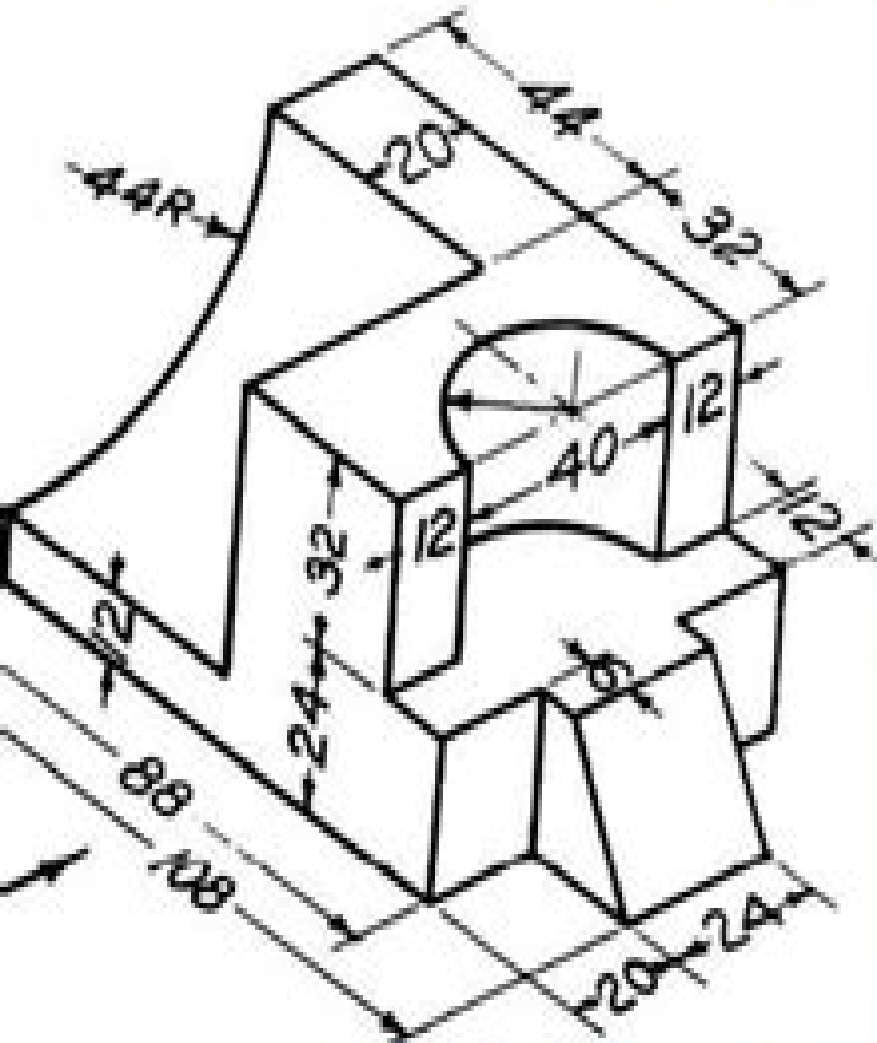


# orthographic projection



step by step process

# Projection Drawing

**Lingjun Ying**



**Projection Drawing:**

## Unveiling the Magic of Words: A Review of "**Projection Drawing**"

In some sort of defined by information and interconnectivity, the enchanting power of words has acquired unparalleled significance. Their capability to kindle emotions, provoke contemplation, and ignite transformative change is truly awe-inspiring. Enter the realm of "**Projection Drawing**," a mesmerizing literary masterpiece penned by way of a distinguished author, guiding readers on a profound journey to unravel the secrets and potential hidden within every word. In this critique, we shall delve into the book's central themes, examine its distinctive writing style, and assess its profound affect on the souls of its readers.

[https://staging.gilderlehrman.org/data/publication/index.jsp/Michaelsons\\_Series\\_2vol\\_1st\\_Edition.pdf](https://staging.gilderlehrman.org/data/publication/index.jsp/Michaelsons_Series_2vol_1st_Edition.pdf)

### **Table of Contents Projection Drawing**

1. Understanding the eBook Projection Drawing
  - The Rise of Digital Reading Projection Drawing
  - Advantages of eBooks Over Traditional Books
2. Identifying Projection Drawing
  - Exploring Different Genres
  - Considering Fiction vs. Non-Fiction
  - Determining Your Reading Goals
3. Choosing the Right eBook Platform
  - Popular eBook Platforms
  - Features to Look for in an Projection Drawing
  - User-Friendly Interface
4. Exploring eBook Recommendations from Projection Drawing
  - Personalized Recommendations
  - Projection Drawing User Reviews and Ratings
  - Projection Drawing and Bestseller Lists

5. Accessing Projection Drawing Free and Paid eBooks
  - Projection Drawing Public Domain eBooks
  - Projection Drawing eBook Subscription Services
  - Projection Drawing Budget-Friendly Options
6. Navigating Projection Drawing eBook Formats
  - ePub, PDF, MOBI, and More
  - Projection Drawing Compatibility with Devices
  - Projection Drawing Enhanced eBook Features
7. Enhancing Your Reading Experience
  - Adjustable Fonts and Text Sizes of Projection Drawing
  - Highlighting and Note-Taking Projection Drawing
  - Interactive Elements Projection Drawing
8. Staying Engaged with Projection Drawing
  - Joining Online Reading Communities
  - Participating in Virtual Book Clubs
  - Following Authors and Publishers Projection Drawing
9. Balancing eBooks and Physical Books Projection Drawing
  - Benefits of a Digital Library
  - Creating a Diverse Reading Collection Projection Drawing
10. Overcoming Reading Challenges
  - Dealing with Digital Eye Strain
  - Minimizing Distractions
  - Managing Screen Time
11. Cultivating a Reading Routine Projection Drawing
  - Setting Reading Goals Projection Drawing
  - Carving Out Dedicated Reading Time
12. Sourcing Reliable Information of Projection Drawing
  - Fact-Checking eBook Content of Projection Drawing
  - Distinguishing Credible Sources
13. Promoting Lifelong Learning

- Utilizing eBooks for Skill Development
  - Exploring Educational eBooks
14. Embracing eBook Trends
- Integration of Multimedia Elements
  - Interactive and Gamified eBooks

## **Projection Drawing Introduction**

In today's digital age, the availability of Projection Drawing books and manuals for download has revolutionized the way we access information. Gone are the days of physically flipping through pages and carrying heavy textbooks or manuals. With just a few clicks, we can now access a wealth of knowledge from the comfort of our own homes or on the go. This article will explore the advantages of Projection Drawing books and manuals for download, along with some popular platforms that offer these resources. One of the significant advantages of Projection Drawing books and manuals for download is the cost-saving aspect. Traditional books and manuals can be costly, especially if you need to purchase several of them for educational or professional purposes. By accessing Projection Drawing versions, you eliminate the need to spend money on physical copies. This not only saves you money but also reduces the environmental impact associated with book production and transportation. Furthermore, Projection Drawing books and manuals for download are incredibly convenient. With just a computer or smartphone and an internet connection, you can access a vast library of resources on any subject imaginable. Whether you're a student looking for textbooks, a professional seeking industry-specific manuals, or someone interested in self-improvement, these digital resources provide an efficient and accessible means of acquiring knowledge. Moreover, PDF books and manuals offer a range of benefits compared to other digital formats. PDF files are designed to retain their formatting regardless of the device used to open them. This ensures that the content appears exactly as intended by the author, with no loss of formatting or missing graphics. Additionally, PDF files can be easily annotated, bookmarked, and searched for specific terms, making them highly practical for studying or referencing. When it comes to accessing Projection Drawing books and manuals, several platforms offer an extensive collection of resources. One such platform is Project Gutenberg, a nonprofit organization that provides over 60,000 free eBooks. These books are primarily in the public domain, meaning they can be freely distributed and downloaded. Project Gutenberg offers a wide range of classic literature, making it an excellent resource for literature enthusiasts. Another popular platform for Projection Drawing books and manuals is Open Library. Open Library is an initiative of the Internet Archive, a non-profit organization dedicated to digitizing cultural artifacts and making them accessible to the public. Open Library hosts millions of books, including both public domain works and contemporary titles. It also allows users to borrow digital copies of certain books for a limited period, similar to a library.

lending system. Additionally, many universities and educational institutions have their own digital libraries that provide free access to PDF books and manuals. These libraries often offer academic texts, research papers, and technical manuals, making them invaluable resources for students and researchers. Some notable examples include MIT OpenCourseWare, which offers free access to course materials from the Massachusetts Institute of Technology, and the Digital Public Library of America, which provides a vast collection of digitized books and historical documents. In conclusion, Projection Drawing books and manuals for download have transformed the way we access information. They provide a cost-effective and convenient means of acquiring knowledge, offering the ability to access a vast library of resources at our fingertips. With platforms like Project Gutenberg, Open Library, and various digital libraries offered by educational institutions, we have access to an ever-expanding collection of books and manuals. Whether for educational, professional, or personal purposes, these digital resources serve as valuable tools for continuous learning and self-improvement. So why not take advantage of the vast world of Projection Drawing books and manuals for download and embark on your journey of knowledge?

### **FAQs About Projection Drawing Books**

1. Where can I buy Projection Drawing books? Bookstores: Physical bookstores like Barnes & Noble, Waterstones, and independent local stores. Online Retailers: Amazon, Book Depository, and various online bookstores offer a wide range of books in physical and digital formats.
2. What are the different book formats available? Hardcover: Sturdy and durable, usually more expensive. Paperback: Cheaper, lighter, and more portable than hardcovers. E-books: Digital books available for e-readers like Kindle or software like Apple Books, Kindle, and Google Play Books.
3. How do I choose a Projection Drawing book to read? Genres: Consider the genre you enjoy (fiction, non-fiction, mystery, sci-fi, etc.). Recommendations: Ask friends, join book clubs, or explore online reviews and recommendations. Author: If you like a particular author, you might enjoy more of their work.
4. How do I take care of Projection Drawing books? Storage: Keep them away from direct sunlight and in a dry environment. Handling: Avoid folding pages, use bookmarks, and handle them with clean hands. Cleaning: Gently dust the covers and pages occasionally.
5. Can I borrow books without buying them? Public Libraries: Local libraries offer a wide range of books for borrowing. Book Swaps: Community book exchanges or online platforms where people exchange books.
6. How can I track my reading progress or manage my book collection? Book Tracking Apps: Goodreads, LibraryThing,

and Book Catalogue are popular apps for tracking your reading progress and managing book collections. Spreadsheets: You can create your own spreadsheet to track books read, ratings, and other details.

7. What are Projection Drawing audiobooks, and where can I find them? Audiobooks: Audio recordings of books, perfect for listening while commuting or multitasking. Platforms: Audible, LibriVox, and Google Play Books offer a wide selection of audiobooks.
8. How do I support authors or the book industry? Buy Books: Purchase books from authors or independent bookstores. Reviews: Leave reviews on platforms like Goodreads or Amazon. Promotion: Share your favorite books on social media or recommend them to friends.
9. Are there book clubs or reading communities I can join? Local Clubs: Check for local book clubs in libraries or community centers. Online Communities: Platforms like Goodreads have virtual book clubs and discussion groups.
10. Can I read Projection Drawing books for free? Public Domain Books: Many classic books are available for free as they're in the public domain. Free E-books: Some websites offer free e-books legally, like Project Gutenberg or Open Library.

### **Find Projection Drawing :**

[michaelsons series 2vol 1st edition](#)

[metropolitan improvements or london in](#)

[metropolis values in conflict](#)

[meurtre en librairie](#)

[mi vida 23](#)

**mhd structures waves and turbulence in the solar wind observations and theories**

**mexico and the united states neighbors in crisis great issues of the day no 6**

[michael mode presents napkin rose](#)

[michaels guide southern california](#)

[mexican native dances](#)

[mezzaterra fragments from the common ground](#)

[mibing money pony investigators 1](#)

[mexican light cooking](#)

**mexpermental cinema 60 years of avantgarde media arts from mexico**

[mexican americans in school](#)

**Projection Drawing :**

[diseña pulseras online con plantillas gratuitas easyprint](#) - Sep 02 2023

web 31 01 2023 súper profesionales necesitaba varias pulseras de diferentes modelos y me puse en contacto con ellos por mail la respuesta fue muy rápida y en seguida me

**plantilla para diseñar pulseras de tela plantillas gratis** - Oct 23 2022

web materiales para hacer pulseras de bisutería el material que se utiliza para hacer pulseras es muy variado tanto en composición como en forma tamaño o color en nuestros

[pulseras personalizadas grabado gratuito cuchicuchi regalos](#) - Feb 24 2023

web con instrucciones muy claras y cuentas e hilos de diferentes colores aprende a hacer preciosas pulseras para regalar a tus amigos y familiares

**diseña online pulseras de festival wunderlabel** - Oct 03 2023

web las pulseras de entrada se utilizan para el control de admisión tanto en eventos ferias o conciertos en easyprint puedes diseñar pulseras para eventos y hacer que las

[630 ideas de pulseras en 2023 hacer pulseras bisuteria](#) - Apr 16 2022

web con este completo set podrás crear nada menos que 4 brillantes pulseras repletas de colgantes solamente necesitarás unir las pegatinas con relieve entre sí para crear tus

[diseña online cintas y pulseras de festival wunderlabel](#) - Jan 26 2023

web plantilla para diseñar pulseras de tela con nuestra plantilla para diseñar pulseras de tela podrás crear tus propios diseños es un pdf editable que podrás

[cómo hacer pulseras 7 pasos mundo deportivo](#) - Mar 16 2022

web feb 19 2021 haz tus propios diseños para tus tarjetas que pondrás de presentación en tus pulseras sé única o único y plasma tus palabras en cada una deja volar tu

[las mejores 120 ideas de diseños de pulseras pinterest](#) - Jun 18 2022

web jan 16 2017 pasos a seguir 1 puedes crear pulseras con hilos de colores realiza trenzados reúne hilos y crea a tu antojo a tu gusto obtendrás increíbles y bonitos

[diseña pulseras online con plantillas gratuitas](#) - Mar 28 2023

web feb 18 2021 crea tu propio diseño de pulsera con el personalizador de makerbot utiliza los 7 sencillos ajustes y observa cómo cobra vida la creación de tu unidad parámetros

*diseña tus propias tarjetas para tus pulseras con* - Dec 13 2021

**kit crea pulseras ann williams juguetes dideco** - Jan 14 2022

diseñador de pulseras personalizables cults 3d - Dec 25 2022

web pulsera de tela personalizada diseña desde nuestra página con nuestro diseñador de pulseras online diseña tu pulsera y te enviamos una muestra gratis

**pulseras diseña y crea susaeta equipo amazon es libros** - Nov 23 2022

web sep 12 2023 diseña tus propias pulseras descubre las plantillas de papel para imprimir si eres amante de la joyería y te gusta personalizar tus accesorios te encantará nuestro

*pulseras diseña y crea susaeta equipo amazon com tr kitap* - May 18 2022

web crea y diseña tus propias pulseras con filofun seguro que las habéis empleado más de una vez las clásicas tiras de scooby doo para hacer pulseras finas tridimensionales

diseñar pulseras online crea regalos y joyas con tus - Jun 30 2023

web en crea imprimiendote es puedes diseñar pulseras para eventos y hacer que las imprimamos según sus especificaciones con la máxima calidad y a un precio increíble

*imágenes de pulsera descarga gratuita en freepik* - Nov 11 2021

**pulseras de tela personalizadas web products direct** - Apr 28 2023

web diseña online cintas de regalo y pulseras festival encarga cintas pulseras de festival personalizadas en pequeñas cantidades gracias a nuestra herramienta online

*pulsera tela personalizada superpulsera* - Sep 21 2022

web 2 2 mil 09 sep 2021 explora el tablero diseños de pulseras de angustias lopez molina que 354 personas siguen en pinterest ver más ideas sobre pulseras diseños de

*imprime tus propias y originales pulseras de papel con estas* - Aug 21 2022

web arama yapmak istediginiz kategoriye secin

**crea pulseras de bisutería originales y únicas hombre y mujer** - Jul 20 2022

web tutorial de pulseras de amistad diy bracelet idea 7 4 mil g girl crafts pulseras 17 jul 2023 explora el tablero de claudia michelle pulseras en pinterest ver más

*crea y diseña tus propias pulseras con filofun abacus* - Feb 12 2022

web encuentra y descarga recursos gráficos gratuitos de pulsera 88 000 vectores fotos de stock y archivos psd gratis para uso comercial imágenes de gran calidad freepik

**personaliza pulseras diseña las tuyas online y te las imprimimos** - May 30 2023

web pulseras y collares personalizados para niñas y niños elige tu joya personalizada infantil o para toda la familia con el grabado en plata de ley que quieras pulseras para

[pulseras de tela personalizadas superpulsera](#) - Aug 01 2023

web crea tu propio diseño y diviértete precio por unidad según cantidad con una impresión a todo color e iva incluidos para pedidos superiores a 500 unid o si necesita otro

[what the dog saw and other adventures amazon in](#) - Jul 02 2022

web amazon in buy what the dog saw and other adventures book online at best prices in india on amazon in read what the dog saw and other adventures book reviews author details and more at amazon in free delivery on qualified orders

**what the dog saw and other adventures kağıt kapak** - Aug 03 2022

web what the dog saw and other adventures gladwell malcolm amazon com tr kitap

**what the dog saw and other adventures google play** - Nov 06 2022

web what the dog saw and other adventures ebook written by malcolm gladwell read this book using google play books app on your pc android ios devices download for offline reading highlight bookmark or take notes while you read what the dog saw and other adventures

*what the dog saw and other adventures kindle edition* - Mar 10 2023

web oct 6 2009 what the dog saw and other adventures kindle edition by gladwell malcolm download it once and read it on your kindle device pc phones or tablets use features like bookmarks note taking and highlighting while reading what the dog saw and other adventures

*what the dog saw and other adventures amazon ae* - Apr 30 2022

web buy what the dog saw and other adventures by gladwell malcolm online on amazon ae at best prices fast and free shipping free returns cash on delivery available on eligible purchase

**book review what the dog saw and other adventures by** - Apr 11 2023

web nov 7 2009 what the dog saw and other adventures by malcolm gladwell 410 pp little brown company 27 99

[what the dog saw and other adventures financial times](#) - Sep 04 2022

web oct 19 2009 what the dog saw is a 22 page piece on cesar millan a man insomniac viewers of cable tv know as the dog whisperer who tackles problem dogs such as bandit a terrorist chihuahua after consulting

**what the dog saw and other adventures amazon co uk** - Dec 07 2022

web may 6 2010 in these breathtaking intellectual adventure stories covering everything from criminology to ketchup job interviews to dog training malcolm gladwell looks under the surface of everyday life to show how the most ordinary subjects

---

can illuminate the most extraordinary things about us and our world

**what the dog saw summary gradesaver** - Feb 26 2022

web what the dog saw informs readers how dogs are highly sensitive to human body language it goes further and highlights the importance of training dog owners as a means to also train the dog what the dog saw and other adventures offers a chest full of treasures that brightly shines on their own while different the stories so follow intentional

**what the dog saw and other adventures audio gladwell** - Jan 08 2023

web what the dog saw and other adventures audio gladwell malcolm amazon com tr kitap

**what the dog saw and other adventures amazon ca** - Oct 05 2022

web dec 14 2010 now in what the dog saw he brings together for the first time the best of his writing from the new yorker over the same period here is the bittersweet tale of the inventor of the birth control pill and the dazzling inventions of the pasta sauce pioneer howard moscowitz

what the dog saw and other adventures kapak değişebilir - Jun 13 2023

web in these breathtaking intellectual adventure stories covering everything from criminology to ketchup job interviews to dog training malcolm gladwell looks under the surface of everyday life to show how the most ordinary subjects can illuminate the most extraordinary things about us and our world

**what the dog saw and other adventures google books** - May 12 2023

web gladwell explores the minor geniuses the underdogs and the overlooked and reveals how everyone and everything contains an intriguing story what the dog saw is gladwell at his very best

*summary of what the dog saw and other adventures by malcolm gladwell* - Dec 27 2021

web summary of what the dog saw and other adventures by malcolm gladwell surprising lessons from little known geniuses what can an iconic advertising campaign

**what the dog saw and other adventures what the dog saw** - Mar 30 2022

web jan 1 2009 6 what the dog saw unlike almost all animals a dog is a student of human movement they look to you and other dog owners for help rather than judging other dogs they judge the way a human body moves forward or backward face relaxed or not leash

**what the dog saw and other adventures paperback** - Jan 28 2022

web what the dog saw unlike almost all animals a dog is a student of human movement they look to you and other dog owners for help rather than judging other dogs they judge the way a human body moves forward or backward face relaxed or not leash

**what the dog saw and other adventures ebook amazon in** - Jun 01 2022

web what the dog saw and other adventures re issue edition kindle edition in what the dog saw malcolm gladwell covers everything from criminology to spaghetti sauce to show how the most ordinary subjects can illuminate the *what the dog saw and other adventures amazon com* - Jul 14 2023

web dec 14 2010 what the dog saw unlike almost all animals a dog is a student of human movement they look to you and other dog owners for help rather than judging other dogs they judge the way a human body moves forward or backward face relaxed or not leash

**what the dog saw and other adventures gladwell malcolm** - Feb 09 2023

web what the dog saw and other adventures gladwell malcolm amazon com tr ana içeriğe atla com tr merhaba giriş yap hesap ve listeler hesap değil misiniz Çıkış yap İadeler ve siparişler alışveri ş sepeti kitaplar git ara merhaba

**what the dog saw wikipedia** - Aug 15 2023

web what the dog saw and other adventures is the fourth book released by author malcolm gladwell on october 20 2009 the book is a compilation of the journalist s articles published in the new yorker

[baca manga samurai x chapter 1 vol 1 bahasa](#) - Apr 10 2023

web samurai x rurouni kenshin adalah salah satu komik yang terkenal di jepang yang ditulis dan diilustrasikan oleh nobuhiro watsuki cerita samurai x menggambarkan peristiwa

**ini alasan nama kaoru anime samurai x jadi kaori di indonesia** - Sep 22 2021

**samurai x komik terjemahan** - May 31 2022

web mar 4 2023 samurai x komik terjemahan 2 8 downloaded from uniport edu ng on march 4 2023 by guest enemies these writings introduce the reader to the authentic world of

**komik samurai x 01 bahasa indonesia komikjoss blogger** - Sep 03 2022

web introduction samurai x komik terjemahan pdf pdf title samurai x komik terjemahan pdf pdf bukuclone ortax org created date 9 1 2023 1 21 21 am

*komik samurai x bahasa indonesia kehadiran sebuah legenda* - Jan 07 2023

web komikjoss adalah tempat membaca komik dan preview manga terbaru tanpa iklan belilah komik aslinya apabila sudah tersedia di toko buku terdekat di kotamu pengguna

**samurai x komik terjemahan uniport edu ng** - Mar 29 2022

web may 20 2023 samurai x komik terjemahan 2 6 downloaded from uniport edu ng on may 20 2023 by guest transformed conan revealed so is the identity of bourbon ruthless

**samurai x komik terjemahan pdf free download** - Jul 01 2022

web anda juga akan termanjakan dengan pengalaman membeli produk komik samurai x secara online di tokopedia karena tersedia pilihan pengiriman sampai dihari yang sama

*jual komik samurai x terlengkap harga murah agustus 2023 - Feb 25 2022*

web samurai x komik terjemahan tahukah kamu bahwa 11 anime jepang ini terinspirasi dari may 1st 2018 komik dan anime sebagai terjemahan versi mereka sudah

**samurai x wikipedia bahasa indonesia ensiklopedia bebas** - Dec 26 2021

download komik samurai x kutu kompi - Dec 06 2022

web samurai x komik terjemahan 1 samurai x komik terjemahan when somebody should go to the book stores search opening by shop shelf by shelf it is in point of fact

*samurai x komik terjemahan wrbb neu edu* - Aug 02 2022

web jun 19 2023 samurai x komik terjemahan 1 1 downloaded from uniport edu ng on june 19 2023 by guest samurai x komik terjemahan when people should go to the book

*samurai x komik terjemahan pdf pdf bukuclone ortax* - Apr 29 2022

web di indonesia manga ini diterbitkan oleh elex media komputindo pada tahun 2002 dengan judul samurai x nama samurai x pertama kali digunakan oleh adv films dalam

samurai x archives komik lawas bahasa indonesia - May 11 2023

web komik original samurai x volume 20 terjemahan bahasa indonesia di tokopedia promo pengguna baru cicilan 0 kurir instan beli komik original samurai x volume 20

**samurai x komik terjemahan pdf pdf devy ortax** - Oct 04 2022

web samurai x komik terjemahan samurai x komik terjemahan download komik pak janggut lengkap 2 100 koleksi samurai x subtitle indonesia dhoni ds baca komik

samurai x komik terjemahan pdf cyberlab sutd edu sg - Nov 05 2022

web free download samurai x komik terjemahan pdf or read samurai x komik terjemahan pdf on the most popular online pdf lab only register an account to

**samurai x komik terjemahan home of ebook pdf library** - Oct 24 2021

**komikku id samurai x bahasa indonesia** - Feb 08 2023

web romulus hillsborough 2013 06 25 shinsengumi the shogun s last samurai corps is the true story of the notorious samurai corps formed in 1863 to arrest or kill the enemies of

---

**baca manga rurouni kenshin samurai x bahasa indonesia** - Aug 14 2023

web feb 28 2023  [baca rurouni kenshin samurai x baca komik rurouni kenshin samurai x bahasa indonesia lengkap dan baru di egagology komik](#)  [baca komik jadi lebih](#)

[samurai x komik terjemahan uniport edu ng](#) - Jan 27 2022

web dec 20 2019  [sebenarnya namanya di satu versi terjemahan menjadi kory kamiya kory kamiya ternyata bukan semata salah cetak atau salah sebut nama karena pada](#)

[download baca komik samurai x bahasa](#) - Jul 13 2023

web oct 24 2013  [komik samurai x komik rurouni kenshin ini memiliki latar belakang awal dari era meiji di jepang komik samurai x manga rouroni kenshin ini menceritakan](#)

[samurai x komik terjemahan uniport edu ng](#) - Nov 24 2021

[samurai x komik bahasa indonesia kaskus](#) - Jun 12 2023

web apr 4 2021  [download baca komik samurai x bahasa indonesia 2 by komiklawas posted on april 4 2021 download baca komik samurai x bahasa indonesia 1 by](#)

**komik original samurai x volume 20 terjemahan bahasa** - Mar 09 2023

web bernama shinichi kudo atau jimmy kudo dalam beberapa terjemahan bahasa inggris yang tubuhnya menyusut menjadi kecil ketika menyelidiki sebuah organisasi misterius