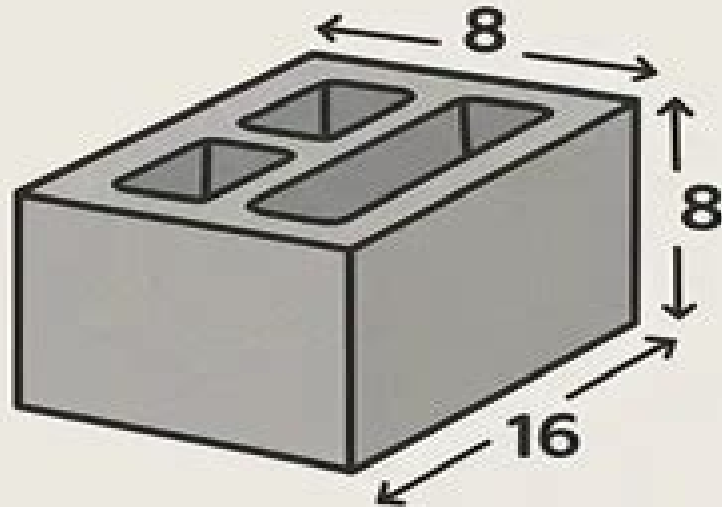
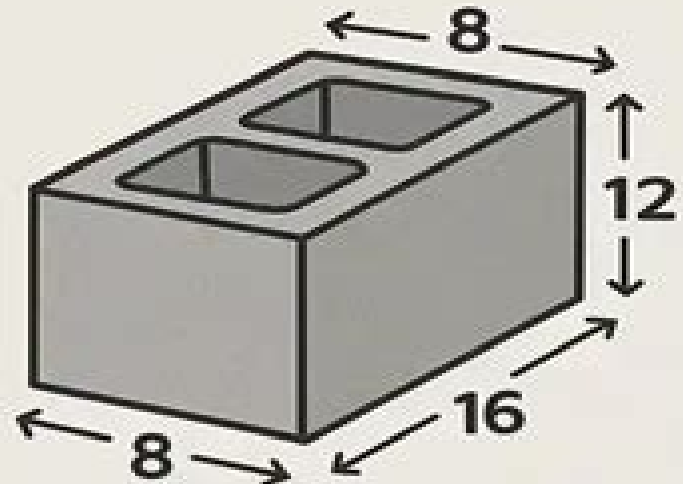


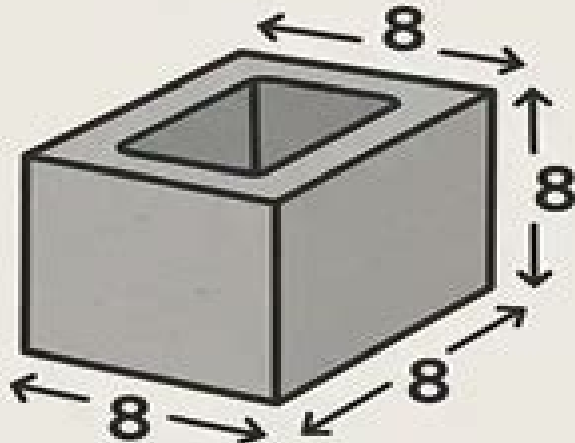
# CMU DIMENSIONS GUIDE



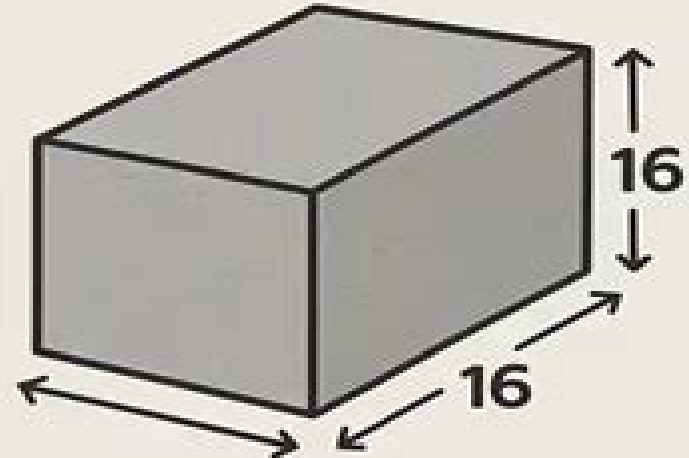
**FULL**



**THREE-QUARTER**



**HALF**



**SOLID**

# Masonry Block Explained Package

**Marcel A. Müller**



## **Masonry Block Explained Package:**

## **Masonry Block Explained Package** Book Review: Unveiling the Power of Words

In a global driven by information and connectivity, the power of words has become more evident than ever. They have the capacity to inspire, provoke, and ignite change. Such could be the essence of the book **Masonry Block Explained Package**, a literary masterpiece that delves deep to the significance of words and their impact on our lives. Published by a renowned author, this captivating work takes readers on a transformative journey, unraveling the secrets and potential behind every word. In this review, we will explore the book is key themes, examine its writing style, and analyze its overall effect on readers.

[https://staging.gilderlehrman.org/results/scholarship/Documents/How\\_To\\_Use\\_AI\\_For\\_YouTube\\_Automation\\_Without\\_Paid\\_Ads\\_BATCH60\\_2494.pdf](https://staging.gilderlehrman.org/results/scholarship/Documents/How_To_Use_AI_For_YouTube_Automation_Without_Paid_Ads_BATCH60_2494.pdf)

### **Table of Contents Masonry Block Explained Package**

1. Understanding the eBook Masonry Block Explained Package
  - The Rise of Digital Reading Masonry Block Explained Package
  - Advantages of eBooks Over Traditional Books
2. Identifying Masonry Block Explained Package
  - Exploring Different Genres
  - Considering Fiction vs. Non-Fiction
  - Determining Your Reading Goals
3. Choosing the Right eBook Platform
  - Popular eBook Platforms
  - Features to Look for in an Masonry Block Explained Package
  - User-Friendly Interface
4. Exploring eBook Recommendations from Masonry Block Explained Package
  - Personalized Recommendations
  - Masonry Block Explained Package User Reviews and Ratings

- Masonry Block Explained Package and Bestseller Lists
- 5. Accessing Masonry Block Explained Package Free and Paid eBooks
  - Masonry Block Explained Package Public Domain eBooks
  - Masonry Block Explained Package eBook Subscription Services
  - Masonry Block Explained Package Budget-Friendly Options
- 6. Navigating Masonry Block Explained Package eBook Formats
  - ePub, PDF, MOBI, and More
  - Masonry Block Explained Package Compatibility with Devices
  - Masonry Block Explained Package Enhanced eBook Features
- 7. Enhancing Your Reading Experience
  - Adjustable Fonts and Text Sizes of Masonry Block Explained Package
  - Highlighting and Note-Taking Masonry Block Explained Package
  - Interactive Elements Masonry Block Explained Package
- 8. Staying Engaged with Masonry Block Explained Package
  - Joining Online Reading Communities
  - Participating in Virtual Book Clubs
  - Following Authors and Publishers Masonry Block Explained Package
- 9. Balancing eBooks and Physical Books Masonry Block Explained Package
  - Benefits of a Digital Library
  - Creating a Diverse Reading Collection Masonry Block Explained Package
- 10. Overcoming Reading Challenges
  - Dealing with Digital Eye Strain
  - Minimizing Distractions
  - Managing Screen Time
- 11. Cultivating a Reading Routine Masonry Block Explained Package
  - Setting Reading Goals Masonry Block Explained Package
  - Carving Out Dedicated Reading Time
- 12. Sourcing Reliable Information of Masonry Block Explained Package
  - Fact-Checking eBook Content of Masonry Block Explained Package
  - Distinguishing Credible Sources

13. Promoting Lifelong Learning
  - Utilizing eBooks for Skill Development
  - Exploring Educational eBooks
14. Embracing eBook Trends
  - Integration of Multimedia Elements
  - Interactive and Gamified eBooks

### **Masonry Block Explained Package Introduction**

Free PDF Books and Manuals for Download: Unlocking Knowledge at Your Fingertips In today's fast-paced digital age, obtaining valuable knowledge has become easier than ever. Thanks to the internet, a vast array of books and manuals are now available for free download in PDF format. Whether you are a student, professional, or simply an avid reader, this treasure trove of downloadable resources offers a wealth of information, conveniently accessible anytime, anywhere. The advent of online libraries and platforms dedicated to sharing knowledge has revolutionized the way we consume information. No longer confined to physical libraries or bookstores, readers can now access an extensive collection of digital books and manuals with just a few clicks. These resources, available in PDF, Microsoft Word, and PowerPoint formats, cater to a wide range of interests, including literature, technology, science, history, and much more. One notable platform where you can explore and download free Masonry Block Explained Package PDF books and manuals is the internet's largest free library. Hosted online, this catalog compiles a vast assortment of documents, making it a veritable goldmine of knowledge. With its easy-to-use website interface and customizable PDF generator, this platform offers a user-friendly experience, allowing individuals to effortlessly navigate and access the information they seek. The availability of free PDF books and manuals on this platform demonstrates its commitment to democratizing education and empowering individuals with the tools needed to succeed in their chosen fields. It allows anyone, regardless of their background or financial limitations, to expand their horizons and gain insights from experts in various disciplines. One of the most significant advantages of downloading PDF books and manuals lies in their portability. Unlike physical copies, digital books can be stored and carried on a single device, such as a tablet or smartphone, saving valuable space and weight. This convenience makes it possible for readers to have their entire library at their fingertips, whether they are commuting, traveling, or simply enjoying a lazy afternoon at home. Additionally, digital files are easily searchable, enabling readers to locate specific information within seconds. With a few keystrokes, users can search for keywords, topics, or phrases, making research and finding relevant information a breeze. This efficiency saves time and effort, streamlining the learning process and allowing individuals to focus on extracting the information they need. Furthermore, the availability of free PDF books and manuals fosters a culture of continuous learning.

By removing financial barriers, more people can access educational resources and pursue lifelong learning, contributing to personal growth and professional development. This democratization of knowledge promotes intellectual curiosity and empowers individuals to become lifelong learners, promoting progress and innovation in various fields. It is worth noting that while accessing free Masonry Block Explained Package PDF books and manuals is convenient and cost-effective, it is vital to respect copyright laws and intellectual property rights. Platforms offering free downloads often operate within legal boundaries, ensuring that the materials they provide are either in the public domain or authorized for distribution. By adhering to copyright laws, users can enjoy the benefits of free access to knowledge while supporting the authors and publishers who make these resources available. In conclusion, the availability of Masonry Block Explained Package free PDF books and manuals for download has revolutionized the way we access and consume knowledge. With just a few clicks, individuals can explore a vast collection of resources across different disciplines, all free of charge. This accessibility empowers individuals to become lifelong learners, contributing to personal growth, professional development, and the advancement of society as a whole. So why not unlock a world of knowledge today? Start exploring the vast sea of free PDF books and manuals waiting to be discovered right at your fingertips.

### **FAQs About Masonry Block Explained Package Books**

1. Where can I buy Masonry Block Explained Package books? Bookstores: Physical bookstores like Barnes & Noble, Waterstones, and independent local stores. Online Retailers: Amazon, Book Depository, and various online bookstores offer a wide range of books in physical and digital formats.
2. What are the different book formats available? Hardcover: Sturdy and durable, usually more expensive. Paperback: Cheaper, lighter, and more portable than hardcovers. E-books: Digital books available for e-readers like Kindle or software like Apple Books, Kindle, and Google Play Books.
3. How do I choose a Masonry Block Explained Package book to read? Genres: Consider the genre you enjoy (fiction, non-fiction, mystery, sci-fi, etc.). Recommendations: Ask friends, join book clubs, or explore online reviews and recommendations. Author: If you like a particular author, you might enjoy more of their work.
4. How do I take care of Masonry Block Explained Package books? Storage: Keep them away from direct sunlight and in a dry environment. Handling: Avoid folding pages, use bookmarks, and handle them with clean hands. Cleaning: Gently dust the covers and pages occasionally.
5. Can I borrow books without buying them? Public Libraries: Local libraries offer a wide range of books for borrowing.

- Book Swaps: Community book exchanges or online platforms where people exchange books.
6. How can I track my reading progress or manage my book collection? Book Tracking Apps: Goodreads, LibraryThing, and Book Catalogue are popular apps for tracking your reading progress and managing book collections. Spreadsheets: You can create your own spreadsheet to track books read, ratings, and other details.
  7. What are Masonry Block Explained Package audiobooks, and where can I find them? Audiobooks: Audio recordings of books, perfect for listening while commuting or multitasking. Platforms: Audible, LibriVox, and Google Play Books offer a wide selection of audiobooks.
  8. How do I support authors or the book industry? Buy Books: Purchase books from authors or independent bookstores. Reviews: Leave reviews on platforms like Goodreads or Amazon. Promotion: Share your favorite books on social media or recommend them to friends.
  9. Are there book clubs or reading communities I can join? Local Clubs: Check for local book clubs in libraries or community centers. Online Communities: Platforms like Goodreads have virtual book clubs and discussion groups.
  10. Can I read Masonry Block Explained Package books for free? Public Domain Books: Many classic books are available for free as they're in the public domain. Free E-books: Some websites offer free e-books legally, like Project Gutenberg or Open Library.

## **Find Masonry Block Explained Package :**

**how to use AI for YouTube automation without paid ads BATCH60-2494**

[complete beginner guide to create marketing funnel with AI in the United States BATCH60-748](#)

[proven strategy to use AI for YouTube automation that actually works BATCH60-1159](#)

[how to rank website using AI SEO tools step by step BATCH60-2305](#)

[step by step guide to use AI for lead generation for small business owners BATCH60-526](#)

[easy method to grow email list using AI for small business owners BATCH60-1179](#)

[proven strategy to start AI consulting business in the United States BATCH60-2169](#)

[without experience how to use AI for small business in the United States BATCH60-1845](#)

**without experience how to create AI chatbot for business that actually works BATCH60-1479**

**how to create AI powered SaaS organically BATCH60-873**

[affordable way to build AI automation agency for beginners BATCH60-1686](#)

**best way to start AI side hustle for beginners BATCH60-655**

**easy method to sell AI generated art in the United States BATCH60-2181**

affordable way to create digital products with AI step by step BATCH60-1366

**step by step guide to generate leads using AI organically BATCH60-101**

### **Masonry Block Explained Package :**

*engelsk fsa maj pdf pdf cpanel gestudy byu edu - Apr 29 2022*

web apr 29 2023 engelsk fsa maj pdf as recognized adventure as skillfully as experience practically lesson amusement as capably as accord can be gotten by just checking out

*engelsk fsa skriftlig studieportalen dk - May 11 2023*

web skal have fsa prøve i engelsk på tirsdag og på torsdag skal jeg have skriftligt fsa dansk er der nogen der nogle gode råd til hvad jeg skal øve mig på er der noget specielt jeg skal

**engelsk uvm dk - Mar 09 2023**

web engelsk maj juni 2010 side 5 af 48 fsa prøverne til fsa er ved at være rigtig godt indarbejdet ude på skolerne der vil selvfølgelig stadigvæk være nogle lærere der

engelsk fsa maj 2012 engelsk opgaver com - Feb 08 2023

web may 23 2013 her kan du downloade engelsk opgaven engelsk fsa maj 2012 og tusindvis af andre opgaver helt gratis beskrivelse vi skulle skrive en ansøgning om et års opholdt

**svarregistrering engelsk fsa maj 2009 uvm dk - Aug 14 2023**

web svarregistrering engelsk fsa maj 2009 nb i sprog og sprogbrugsdelen skal alle ord været stavet og bøjet korrekt sprog opg facit svar 1 got 2 read 3 struck 4 carried 5 hid 6 found 7 pushed 8 fell 9 caught 10 panicked 11 grabbed 12 tore 13 were 14 swung 15

**fsa maj 2016 engelsk skriftlig fremstilling engelsk opgaver com - Sep 22 2021**

web apr 13 2017 her kan du downloade engelsk opgaven fsa maj 2016 engelsk skriftlig fremstilling og tusindvis af andre opgaver helt gratis beskrivelse fik 12 for denne

engelsk fsa maj copy - Aug 02 2022

web insight of this engelsk fsa maj can be taken as with ease as picked to act college accounting chapters 1 27 james a heintz d b a c p a 2016 01 01 fsa

**fsa nedir ne demek - Dec 26 2021**

web fsa ne demek aynı zamanda uluslararası öğrenci danışmanı isa olarak da bilinir Üniversitelerde yabancı öğrencilere kanunlar vizeler akademik kurallar sosyal adetler

**engelsk fsa maj uniport edu ng** - Nov 24 2021

web mar 27 2023 engelsk fsa maj 1 5 downloaded from uniport edu ng on march 27 2023 by guest engelsk fsa maj as recognized adventure as without difficulty as experience not

**fsa engelsk maj 2014 fri skriftlig fremstilling opgaver** - Jan 07 2023

web nov 15 2014 her kan du downloade engelsk opgaven fsa engelsk maj 2014 fri skriftlig fremstilling og tusindvis af andre opgaver helt gratis beskrivelse dette er min frie

**skriftlig fremstilling runes skoletaske** - Mar 29 2022

web layout 4 dummies gennemgår de elementer og funktioner du skal bruge når du skriver stil folderen er ikke tænkt som den eneste eller den rigtige metode bagest i folderen

**prøvevejledninger til folkeskolens prøver børne og** - Jun 12 2023

web på denne side finder du vejledninger til hvert af folkeskolens fag hvor der afholdes prøver i prøvevejledningerne kan du læse om regler og rammer for prøverne og om hvordan

**fsa maj 2011 engelsk skriftlig fremstilling message in a bottle** - May 31 2022

web nov 15 2014 her kan du downloade engelsk opgaven fsa maj 2011 engelsk skriftlig fremstilling message in a bottle og tusindvis af andre opgaver helt gratis beskrivelse

**engelsk fsa hvor lang tid engelsk studieportalen dk** - Sep 03 2022

web hvor lang tid skal det man selv siger til engelsk fsa tage altså det hvor man fortæller om det selvvalgte emne brugbart svar 0 svar 1 03 juni 2008 af mussy06 slettet fem

*engelsk fsa maj pdf pdf mail gestudy byu edu* - Jul 01 2022

web engelsk fsa maj pdf as recognized adventure as well as experience not quite lesson amusement as well as pact can be gotten by just checking out a ebook engelsk fsa

**engelsk fsa maj pdf** - Nov 05 2022

web may 13 2023 engelsk fsa maj pdf thank you very much for reading engelsk fsa maj pdf as you may know people have search numerous times for their favorite books like

*engelsk maj 2013 studieportalen dk* - Apr 10 2023

web alt om engelsk maj 2013 på studieportalen dk søgeresultater 1 til 20 ud af 26909 resultater for engelsk maj 2013 på studieportalen dk

*folkeskolens prøver engelsk fp9 xn prvebanken 1cb dk* - Oct 04 2022

web folkeskolens prøver engelsk fp9 der er endnu ikke registreret prøvematerialer i engelsk fp9 ansvarlig myndighed kontakt teknisk support stil tlf 70 21 21 55 faglig

[fsa maj 2014 engelsk engelsk opgaver com](#) - Oct 24 2021

web jan 14 2015 her kan du downloade engelsk opgaven fsa maj 2014 engelsk og tusindvis af andre opgaver helt gratis  
beskrivelse i checked the sky for signs of rain and set off

[svarregistrering engelsk fsa maj 2010 uvm dk](#) - Jul 13 2023

web svarregistrering engelsk fsa maj 2010 nb i sprog og sprogbrugsdelen skal alle ord været stavet og bøjet korrekt sprog  
opg facit svar 1 1 informs 2 informatively 3 informing

[fulbright İngilizce Öğretim asistanlığı eta programı](#) - Dec 06 2022

web fulbright u s student program ın bir parçası olan fulbright İngilizce Öğretim asistanlığı eta programı abd li bursiyerleri  
İngilizce öğretim asistanı sıfatıyla türkiye deki

[engelsk fsa maj uniport edu ng](#) - Jan 27 2022

web jun 9 2023 kindly say the engelsk fsa maj is universally compatible with any devices to read a geographical account of  
countries round the bay of bengal 1669 to 1679 by

[engelsk fsa maj pdf copy](#) - Feb 25 2022

web may 23 2023 capably as perspicacity of this engelsk fsa maj pdf can be taken as with ease as picked to act the new  
volumes of the encyclopaedia britannica 1903 the

**world history chapter 12 section 2 flashcards quizlet** - Jul 03 2023

web world history chapter 12 section 2 congress of vienna click the card to flip great britain austria prussia and russia met in  
september 1814 to arrange final peace

[chapter 2 section 2 world history flashcards quizlet](#) - Aug 24 2022

web chapter 2 section 2 world history term 1 39 nile river click the card to flip definition 1 39 begins in the heart of africa  
and courses northward for more than 4 000 miles longest river in the world splits into two branches lower

**world history chapter 12 section 2 epub read treca** - Jul 23 2022

web read online world history chapter 12 section 2 advance degrees in history this textbook offers up to date original  
scholarship it covers such cultures states and societies as ancient mesopotamia ancient israel dynastic egypt india s classical  
age the dynasties of china archaic greece the roman empire islam medieval

**world history 8 chapter 12 section 2 the mongol conquests** - Mar 19 2022

web world history 8 chapter 12 section 2 the mongol conquests nomads of the asian steppe 1 what qualities did the mongols  
possess skill on horseback discipline ruthlessness courage in battle also wanted the wealth and glory that came from  
conquering mighty empires 2 what are the steppes

[world history chapter 12 section 2 download only](#) - Feb 15 2022

web world history chapter 12 section 2 2 downloaded from forms asmibmr edu in on 2019 12 05 by guest table of contents world history chapter 12 section 2 1 understanding the ebook world history chapter 12 section 2 the rise of digital reading world history chapter 12 section 2 advantages of ebooks over traditional books 2 identifying world

[world history chapter 12 section 2 flashcards quizlet](#) - May 01 2023

web verified answer us history the period of debate is closed arms as the last resource decide the contest every thing that is right or reasonable pleads for separation tis time to part thomas paine common sense in this quotation thomas paine is arguing for a the separation of church and state

**chapter 12 section 2 review flashcards quizlet** - Mar 31 2023

web the crusades terms in this set 12 who proclaimed the beginning of the crusades what was the original purpose of the crusades urban ii to recapture the holy land from the muslims and hold it for christendom what was the peasants crusade how did it end

*world history ch 2 section 2 notes ppt slideshare* - Nov 26 2022

web aug 25 2014 world history ch 2 section 2 notes 1 the ancient near east section 2 fertile crescent empires preview main idea reading focus the hittites maps conquering the fertile crescent the assyrians and the chaldeans faces of history nebuchadnezzar ii the phoenicians map phoenician trade quick facts

**world history chapter 12 section 1 and 2 flashcards quizlet** - Jan 29 2023

web test match q chat created by rosaliebedgianian terms in this set 9 what provided western nations with many advantages advances in science technology industry transportation and communication what is imperialism the domination of one s country of the political economical and cultural life of another country or region

[world history ch 12 section 2 notes ppt slideshare](#) - Oct 06 2023

web feb 2 2014 world history ch 12 section 2 notes 1 kingdoms and christianity the rise of russia preview main idea reading focus the rus and kiev map the growth of russia christianity in russia russia under attack faces of history alexander nevsky section 2

**world history 2 chapter 12 section 2 pdf uniport edu** - Jun 21 2022

web aug 24 2023 all we give world history 2 chapter 12 section 2 and numerous ebook collections from fictions to scientific research in any way in the course of them is this world history 2 chapter 12 section 2 that can be your partner world history steven wallech 2013 01 22 world history a concise thematic analysis ii america pathways to the

**world history chapter 12 section 1 2 3 quiz docx chapter** - Oct 26 2022

web chapter 12 section 1 tang and song china i setting the stage a the han dynasty was the last to unify china until the tang dynasty b for 350 years after the fall of the han dynasty many local dynasties rose and fell c tang and song dynasty led china

to experience the golden age ii

**world history chapter 12 section 2 in class notes on ivan iii** - Feb 27 2023

web chapter 5 summary give me liberty an american history aplia assignment ch 6 2 exam view chapter 02 c16 ch 16 test bank hw 10 solution first draft grade a skill ivtherapy active learning template physio ex exercise 9 activity 4 bana 2082 exam 2 study guide part 2 ati heparin ati is2080c lab6 access assignment d270

**world history chapter 12 section 5 flashcards quizlet** - Sep 24 2022

web verified questions identifying a point of view write a paragraph explaining why the romans feared jesus and considered christianity a threat consider what jesus said and taught how people responded to jesus and his teachings verified answer literature classify the underlined clause by writing in the space above it i for independent or

**chapter 12 section 2 studylib net** - Aug 04 2023

web answers to br 2 1 an early south american kingdom in the columbian andes who developed gold working skills 2 paved roads suspension bridges stone construction still seen in cuzco peru the inca capital terraced fields braced by stone walls still in use today 3 the exchange of plants amp animals between europe amp

world history chapter 12 section 2 flashcards quizlet - Jun 02 2023

web world history chapter 12 section 2 what did european s have an interest in that africa had click the card to flip raw materials such as peanuts timber hides and palm oil

*world history ch 2 section 1 notes ppt slideshare* - May 21 2022

web aug 25 2014 world history ch 2 section 1 notes s skorbar7 follow views 13 views 12 slides world history ch 2 section 1 notes download as a pdf or view online for free

world history chapter 12 section 2 florida state university - Apr 19 2022

web merely said the world history chapter 12 section 2 is universally compatible similar to any devices to read world history chapter 12 section world history cultures states and societies to 1500 offers a comprehensive introduction to the history of humankind from prehistory to 1500 authored by six usg faculty members with advance degrees

**world history chapter 12 section 2 mongol conquests q a** - Dec 28 2022

web this is based on world history patterns of interaction textbook for chapter 12 section 2 the mongol conquests as i assign students this section to read i give them a half sheet filled with questions for them to answer as they read

world history textbook pdf copy social studies - Sep 05 2023

web chapter 23 war and revolution 53mb chapter 24 the west between the wars 76mb chapter 25 nationalism around the world 61mb chapter 26 world war ii 114mb chapter 27 cold war and postwar changes 41mb chapter 28 the contemporary western world 70mb chapter 29 latin america 34mb chapter 30 africa and the

aprender Árabe rápido fácil eficaz 2000 vocablos claves - Jul 04 2023

web buy aprender Árabe rápido fácil eficaz 2000 vocablos claves 1 by languages pinhok isbn 9781979480772 from amazon s book store everyday low prices and

**aprender Árabe rápido fácil eficaz 2000 vocablos claves** - Jun 22 2022

web dec 25 2022 busca el modo más rápido de aprender un idioma entonces este libro es perfecto para usted la mayoría de los libros de vocabulario ofrecen una cantidad

*aprender Árabe rápido fácil eficaz 2000 vocablos claves* - Sep 06 2023

web este libro está dirigido a estudiantes de árabe de nivel principiante e intermedio con iniciativa y dispuestos a dedicar de 15 a 20 minutos al día a aprender vocabulario este

aprender Árabe rápido fácil eficaz 2000 vocablos claves - Feb 28 2023

web aprender Árabe rápido fácil eficaz 2000 vocablos claves languages pinhok 9781979480772 books amazon ca

**aprender arabe rapido facil eficaz 2000 vocablos ai classmonitor** - Feb 16 2022

web 4 aprender arabe rapido facil eficaz 2000 vocablos 2022 03 20 nivel principiante o intermedio se sorprenderá de la velocidad a la que progresará con apenas unas

**aprender Árabe rápido fácil eficaz 2000 vocablos claves** - Aug 05 2023

web este libro contiene un vocabulario con las 2000 palabras y frases más comunes ordenadas por frecuencia de uso en la conversación diaria este libro de vocabulario sigue la regla

*cursos de Árabe gratis aulafacil com* - Apr 20 2022

web cursos online de árabe completamente gratis los cursos de aulafácil son completamente gratis por lo que son una excelente opción para empezar a aprender un idioma tan

*aprender arabe rapido facil eficaz 2000 vocablos claves* - Oct 27 2022

web aprender arabe rapido facil eficaz 2000 vocablos claves pinhok languages escritor 24 34

aprender arabe rapido facil eficaz 2000 vocablos 2023 - Nov 15 2021

web aprender arabe rapido facil eficaz 2000 vocablos aprender japonés rápido fácil eficaz aprender Árabe rápido fácil eficaz aprender griego rápido fácil

**mejores libros para aprender árabe desde cero y por tu cuenta** - Sep 25 2022

web aprender Árabe rápido fácil eficaz 2000 vocablos claves autor pinhok languages nº de páginas 88 páginas este libro ofrece una manera rápida de

**aprender Árabe rápido fácil eficaz 2000 vocablos claves** - Apr 01 2023

web aprender Árabe rápido fácil eficaz 2000 vocablos claves languages pinhok amazon com mx libros

**cursos para aprender árabe mondly** - Jul 24 2022

web genial vamos a averiguar cómo aprender árabe online aprende árabe online palabras árabes frases y expresiones árabes cómo hablar árabe gramática árabe lecciones

**aprender Árabe rápido fácil eficaz 2000 vocablos** - May 02 2023

web nov 6 2017 este libro contiene un vocabulario con las 2000 palabras y frases más comunes ordenadas por frecuencia de uso en la conversación diaria este

*cómo aprender Árabe rápidamente superprof* - May 22 2022

web muy en correlación con el apartado anterior la mejor forma de aprender un idioma y en concreto el árabe es mediante la memorización de su vocabulario para ello lo mejor

*aprender arabe rapido facil eficaz 2000 vocablos* - Jan 18 2022

web aprender arabe rapido facil eficaz 2000 vocablos downloaded from pantera adecco com by guest bronson blaze aprender francés rápido fácil

**curso gratis de Árabe básico aulafacil com** - Aug 25 2022

web aprender árabe online fácil y gratis con nuestro curso de árabe básico miles de alumnos nos avalan entra ya y aprende bueno y rapido como su nombre lo dice

**buy aprender Árabe rápido fácil eficaz 2000 vocablos** - Dec 29 2022

web amazon in buy aprender Árabe rápido fácil eficaz 2000 vocablos claves book online at best prices in india on amazon in read aprender Árabe rápido fácil

**aprender Árabe rápido fácil eficaz 2000 vocablos ebay** - Jun 03 2023

web find many great new used options and get the best deals for aprender Árabe rápido fácil eficaz 2000 vocablos claves by pinhok languages 2017 trade paperback at

**aprender coreano rápido fácil eficaz 2000 vocablos claves** - Dec 17 2021

web este libro contiene un vocabulario con las 2000 palabras y frases más comunes ordenadas por frecuencia de uso en la conversación diaria este libro de vocabulario sigue la regla

**aprender arabe rapido facil eficaz 2000 vocablos claves** - Nov 27 2022

web aprender arabe rapido facil eficaz 2000 vocablos claves pinhok languages 0 00 0

**aprender Árabe rápido fácil eficaz en apple books** - Jan 30 2023

web este libro contiene un vocabulario con las 2000 palabras y frases más comunes ordenadas por frecuencia de uso en la conversación diaria este libro de vocabulario sigue la regla

**aprender Árabe rápido fácil eficaz 2000 vocablos claves pdf** - Oct 07 2023

web nov 4 2017 este libro contiene un vocabulario con las 2000 palabras y frases más comunes ordenadas por frecuencia de uso en la conversación diaria este libro de

*aprender árabe rápido fácil eficaz 2000 vocablos claves nice* - Mar 20 2022

web detail book title aprender Árabe rápido fácil eficaz 2000 vocablos claves format pdf kindle epub language english asin 197948077x paperback 184 page