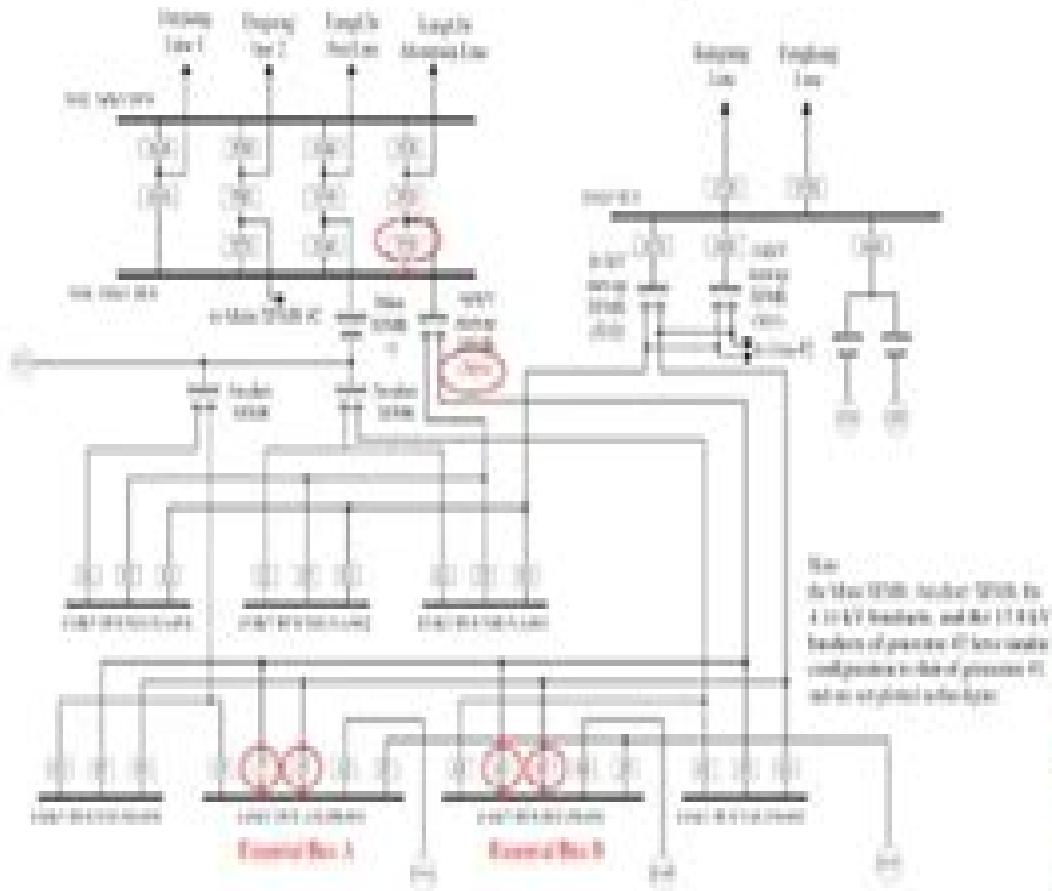


# Power System Protection Systems



Basic connection diagram of protection relay



Electrical 4 U

# Power System Protection Systems And Methods Vol 2

## Power System Protection

**Rachel Sandford**



## **Power System Protection Systems And Methods Vol 2 Power System Protection:**

## **Power System Protection Systems And Methods Vol 2 Power System Protection** Book Review: Unveiling the Magic of Language

In a digital era where connections and knowledge reign supreme, the enchanting power of language has become more apparent than ever. Its power to stir emotions, provoke thought, and instigate transformation is actually remarkable. This extraordinary book, aptly titled "**Power System Protection Systems And Methods Vol 2 Power System Protection**," compiled by a highly acclaimed author, immerses readers in a captivating exploration of the significance of language and its profound impact on our existence. Throughout this critique, we shall delve in to the book is central themes, evaluate its unique writing style, and assess its overall influence on its readership.

<https://staging.gilderlehrman.org/book/scholarship/default.aspx/how%20to%20create%20marketing%20funnel%20with%20ai%20in%202026%20batch80%201921.pdf>

### **Table of Contents Power System Protection Systems And Methods Vol 2 Power System Protection**

1. Understanding the eBook Power System Protection Systems And Methods Vol 2 Power System Protection
  - The Rise of Digital Reading Power System Protection Systems And Methods Vol 2 Power System Protection
  - Advantages of eBooks Over Traditional Books
2. Identifying Power System Protection Systems And Methods Vol 2 Power System Protection
  - Exploring Different Genres
  - Considering Fiction vs. Non-Fiction
  - Determining Your Reading Goals
3. Choosing the Right eBook Platform
  - Popular eBook Platforms
  - Features to Look for in an Power System Protection Systems And Methods Vol 2 Power System Protection
  - User-Friendly Interface
4. Exploring eBook Recommendations from Power System Protection Systems And Methods Vol 2 Power System Protection

- Personalized Recommendations
  - Power System Protection Systems And Methods Vol 2 Power System Protection User Reviews and Ratings
  - Power System Protection Systems And Methods Vol 2 Power System Protection and Bestseller Lists
5. Accessing Power System Protection Systems And Methods Vol 2 Power System Protection Free and Paid eBooks
    - Power System Protection Systems And Methods Vol 2 Power System Protection Public Domain eBooks
    - Power System Protection Systems And Methods Vol 2 Power System Protection eBook Subscription Services
    - Power System Protection Systems And Methods Vol 2 Power System Protection Budget-Friendly Options
  6. Navigating Power System Protection Systems And Methods Vol 2 Power System Protection eBook Formats
    - ePub, PDF, MOBI, and More
    - Power System Protection Systems And Methods Vol 2 Power System Protection Compatibility with Devices
    - Power System Protection Systems And Methods Vol 2 Power System Protection Enhanced eBook Features
  7. Enhancing Your Reading Experience
    - Adjustable Fonts and Text Sizes of Power System Protection Systems And Methods Vol 2 Power System Protection
    - Highlighting and Note-Taking Power System Protection Systems And Methods Vol 2 Power System Protection
    - Interactive Elements Power System Protection Systems And Methods Vol 2 Power System Protection
  8. Staying Engaged with Power System Protection Systems And Methods Vol 2 Power System Protection
    - Joining Online Reading Communities
    - Participating in Virtual Book Clubs
    - Following Authors and Publishers Power System Protection Systems And Methods Vol 2 Power System Protection
  9. Balancing eBooks and Physical Books Power System Protection Systems And Methods Vol 2 Power System Protection
    - Benefits of a Digital Library
    - Creating a Diverse Reading Collection Power System Protection Systems And Methods Vol 2 Power System Protection
  10. Overcoming Reading Challenges
    - Dealing with Digital Eye Strain
    - Minimizing Distractions
    - Managing Screen Time
  11. Cultivating a Reading Routine Power System Protection Systems And Methods Vol 2 Power System Protection
    - Setting Reading Goals Power System Protection Systems And Methods Vol 2 Power System Protection

- Carving Out Dedicated Reading Time
- 12. Sourcing Reliable Information of Power System Protection Systems And Methods Vol 2 Power System Protection
  - Fact-Checking eBook Content of Power System Protection Systems And Methods Vol 2 Power System Protection
  - Distinguishing Credible Sources
- 13. Promoting Lifelong Learning
  - Utilizing eBooks for Skill Development
  - Exploring Educational eBooks
- 14. Embracing eBook Trends
  - Integration of Multimedia Elements
  - Interactive and Gamified eBooks

### **Power System Protection Systems And Methods Vol 2 Power System Protection Introduction**

In the digital age, access to information has become easier than ever before. The ability to download Power System Protection Systems And Methods Vol 2 Power System Protection has revolutionized the way we consume written content. Whether you are a student looking for course material, an avid reader searching for your next favorite book, or a professional seeking research papers, the option to download Power System Protection Systems And Methods Vol 2 Power System Protection has opened up a world of possibilities. Downloading Power System Protection Systems And Methods Vol 2 Power System Protection provides numerous advantages over physical copies of books and documents. Firstly, it is incredibly convenient. Gone are the days of carrying around heavy textbooks or bulky folders filled with papers. With the click of a button, you can gain immediate access to valuable resources on any device. This convenience allows for efficient studying, researching, and reading on the go. Moreover, the cost-effective nature of downloading Power System Protection Systems And Methods Vol 2 Power System Protection has democratized knowledge. Traditional books and academic journals can be expensive, making it difficult for individuals with limited financial resources to access information. By offering free PDF downloads, publishers and authors are enabling a wider audience to benefit from their work. This inclusivity promotes equal opportunities for learning and personal growth. There are numerous websites and platforms where individuals can download Power System Protection Systems And Methods Vol 2 Power System Protection. These websites range from academic databases offering research papers and journals to online libraries with an expansive collection of books from various genres. Many authors and publishers also upload their work to specific websites, granting readers access to their content without any charge. These platforms not only provide access to existing literature but also serve as an excellent platform for undiscovered authors to share their work with the world. However, it is essential to be cautious while downloading Power

System Protection Systems And Methods Vol 2 Power System Protection. Some websites may offer pirated or illegally obtained copies of copyrighted material. Engaging in such activities not only violates copyright laws but also undermines the efforts of authors, publishers, and researchers. To ensure ethical downloading, it is advisable to utilize reputable websites that prioritize the legal distribution of content. When downloading Power System Protection Systems And Methods Vol 2 Power System Protection, users should also consider the potential security risks associated with online platforms. Malicious actors may exploit vulnerabilities in unprotected websites to distribute malware or steal personal information. To protect themselves, individuals should ensure their devices have reliable antivirus software installed and validate the legitimacy of the websites they are downloading from. In conclusion, the ability to download Power System Protection Systems And Methods Vol 2 Power System Protection has transformed the way we access information. With the convenience, cost-effectiveness, and accessibility it offers, free PDF downloads have become a popular choice for students, researchers, and book lovers worldwide. However, it is crucial to engage in ethical downloading practices and prioritize personal security when utilizing online platforms. By doing so, individuals can make the most of the vast array of free PDF resources available and embark on a journey of continuous learning and intellectual growth.

### **FAQs About Power System Protection Systems And Methods Vol 2 Power System Protection Books**

1. Where can I buy Power System Protection Systems And Methods Vol 2 Power System Protection books? Bookstores: Physical bookstores like Barnes & Noble, Waterstones, and independent local stores. Online Retailers: Amazon, Book Depository, and various online bookstores offer a wide range of books in physical and digital formats.
2. What are the different book formats available? Hardcover: Sturdy and durable, usually more expensive. Paperback: Cheaper, lighter, and more portable than hardcovers. E-books: Digital books available for e-readers like Kindle or software like Apple Books, Kindle, and Google Play Books.
3. How do I choose a Power System Protection Systems And Methods Vol 2 Power System Protection book to read? Genres: Consider the genre you enjoy (fiction, non-fiction, mystery, sci-fi, etc.). Recommendations: Ask friends, join book clubs, or explore online reviews and recommendations. Author: If you like a particular author, you might enjoy more of their work.
4. How do I take care of Power System Protection Systems And Methods Vol 2 Power System Protection books? Storage: Keep them away from direct sunlight and in a dry environment. Handling: Avoid folding pages, use bookmarks, and handle them with clean hands. Cleaning: Gently dust the covers and pages occasionally.

5. Can I borrow books without buying them? Public Libraries: Local libraries offer a wide range of books for borrowing. Book Swaps: Community book exchanges or online platforms where people exchange books.
6. How can I track my reading progress or manage my book collection? Book Tracking Apps: Goodreads, LibraryThing, and Book Catalogue are popular apps for tracking your reading progress and managing book collections. Spreadsheets: You can create your own spreadsheet to track books read, ratings, and other details.
7. What are Power System Protection Systems And Methods Vol 2 Power System Protection audiobooks, and where can I find them? Audiobooks: Audio recordings of books, perfect for listening while commuting or multitasking. Platforms: Audible, LibriVox, and Google Play Books offer a wide selection of audiobooks.
8. How do I support authors or the book industry? Buy Books: Purchase books from authors or independent bookstores. Reviews: Leave reviews on platforms like Goodreads or Amazon. Promotion: Share your favorite books on social media or recommend them to friends.
9. Are there book clubs or reading communities I can join? Local Clubs: Check for local book clubs in libraries or community centers. Online Communities: Platforms like Goodreads have virtual book clubs and discussion groups.
10. Can I read Power System Protection Systems And Methods Vol 2 Power System Protection books for free? Public Domain Books: Many classic books are available for free as they're in the public domain. Free E-books: Some websites offer free e-books legally, like Project Gutenberg or Open Library.

### **Find Power System Protection Systems And Methods Vol 2 Power System Protection :**

*how to create marketing funnel with AI in 2026 BATCH80-1921*

*complete beginner guide to start AI side hustle in the United States BATCH80-554*

*easy method to start AI consulting business for beginners BATCH80-1609*

**low budget way to rank website using AI SEO tools that actually works BATCH80-451**

**free way to build AI automation agency for beginners BATCH80-1280**

**without experience how to use AI for small business step by step BATCH80-1417**

**best way to use AI for YouTube automation in 2026 BATCH80-1459**

**best way to start AI side hustle for content creators BATCH80-223**

*affordable way to use AI for TikTok growth that actually works BATCH80-2340*

**free way to automate business with AI in the United States BATCH80-1712**

*easy method to use AI for ecommerce store organically BATCH80-2152*

~~without experience how to use AI for blogging in the United States BATCH80-222~~

**best way to write blog posts using AI for small business owners BATCH80-666**

~~low budget way to rank website using AI SEO tools for small business owners BATCH80-1390~~

**best way to use AI for Instagram marketing without paid ads BATCH80-742**

**Power System Protection Systems And Methods Vol 2 Power System Protection :**

[schritte international neu 5 kurs und arbeitsbuch](#) - May 06 2022

web schritte international neu 5 kurs und arbeitsbuch this book is now available in our online shop go to blinkshop your digital book schritte international neu 5 kurs und arbeitsbuch from publisher includes interactive content and activities that check your answers automatically

**schritte international online Übungen hueber** - Sep 22 2023

web band 1 lektion 5 wichtiger hinweis um die folgenden Übungen nutzen zu können benötigen sie mindestens firefox 5 safari 3 chrome oder einen kompatiblen internetbrowser bitte beachten sie dass es beim internet explorer 8 oder höher zu anzeige problemen kommen kann important the

**schritte international neu a2 1 lektion 1 flashcards quizlet** - Apr 05 2022

web lektion 1 flashcards quizlet schritte international neu a2 1 lektion 1 5 0 1 review term 1 131

**schritte international hueber** - Jan 14 2023

web schritte international seite 2 von 6 schritte international einstuftest teil 1 schritte international 1 und 2 max hueber verlag 2006 aufgabenblatt

[schritte international 1 test zu 5 lektion](#) - Dec 01 2021

web 1 schritte international 1 test zu 5 lektion untersuchungen zum eschatologischen verzögerungsproblem auf grund der spätjüdisch urchristlichen geschichte von habakuk 2 2 ff nov 18 2022 der neue pauly jan 20 2023 proceedings 20 workshop computational intelligence dortmund 1 dezember 3 dezember 2010 jul 26 2023

**test zu lektion 1 schritte1 1 worksheet live worksheets** - Jun 19 2023

web jun 30 2021 test zu lektion 1 schritte international neu 5 liveworksheets transforms your traditional printable worksheets into self correcting interactive exercises that the students can do online and send to the teacher

**schritte international neu a1 lektion 5 flashcards quizlet** - Oct 11 2022

web schritte international neu a1 lektion 5 montag click the card to flip понедельник click the card to flip 1 40

[schritte international 5 neu lektion 5 b1 flashcards quizlet](#) - Jan 02 2022

web schritte international 5 neu lektion 5 b1 flashcards learn netzwerk neu a2 lektion 5 dt it 100 terms images mmhonti

teacher netzwerk neu a2 lektion 4 dt esp mmhonti teacher other quizlet sets po eu midterm 60 terms erinmillerusd bio animal quiz 5 7 37 terms avery walsh22 surgery sports medicine 83 terms baconce

**schritte international neu 5 lehrerhandbuch hueber** - May 18 2023

web lektion 1 166 schritte international neu 5 lehrerhandbuch 978 3 19 311086 2 2019 hueber verlag test zu lektion 1 name 1 was passt ordnen sie zu während gefolgt mehrere wunderte befand ausgereicht stieg vergeblich dabei eine familie aus dresden wunderte sich sehr als sie in salzburg aus dem auto und ihre hündin jolly

**wörter grammatik und kommunikation schritte international** - Nov 12 2022

web schritte international neu 5 6 testtrainer 978 3 19 351086 0 2019 hueber verlag 21 lektion 5 schritte international neu test 1 wörter grammatik und kommunikation testtrainer 5 ergänzen sie zu oder ahast du lust mir zu a helfen ich muss meinen lebenslauf b schreiben bja klar ich kann dir gern c helfen

**schritte international neu 1 lehrerhandbuch hueber** - Oct 23 2023

web 177 lektion 1 schritte international neu 1 lehrerhandbuch 978 3 19 311082 4 test zu lektion 5 1 wie spät ist es ergänzen sie 12 6 9 3 1 2 4 7 5 8 10 11 beispiel es ist zehn nach neun 12 6 9 1 2 4 7 11 c es ist 12 6 9 3 1 2 4 7 5 8 10 11 a es ist

**schritte international neu tesztek hueber** - Jul 20 2023

web schritte international neu 1 tesztek pdf954 6 kb schritte international neu 2 tesztek pdf478 5 kb schritte international neu 3 tesztek pdf941 1 kb schritte international neu 4 tesztek pdf1 1 mb schritte international neu 5 tesztek pdf314 kb schritte international neu 6 tesztek pdf229 2 kb

*schritte international unterrichten einstuftest hueber* - Apr 17 2023

web einstuftest zu schritte international sichere einstuftung in das richtige sprachniveau pdf aufgaben und antwortblätter band 1 band 2 a1 1 a1 2 pdf 386 kb 6 seiten 11 april 2006 hinweise zur durchführung und auswertung korrekturschablone band 1 band 2 a1 1 a1 2 pdf 170 6 kb 3 seiten

*schritte international 1 test zu 5 lektion steven vertovec* - Mar 04 2022

web getting the books schritte international 1 test zu 5 lektion now is not type of challenging means you could not unaccompanied going as soon as ebook increase or library or borrowing from your contacts to read them this is an definitely easy means to specifically acquire guide by on line this online publication schritte international 1 test

**schritte international 1 test zu 5 lektion book** - Sep 10 2022

web 1 schritte international 1 test zu 5 lektion essential basic intermediate and advanced grammar and composition in english german aug 10 2021 the essential basic intermediate and advanced english grammar and composition are a great resource anywhere you go it is an easy tool that teaches the rules

**schritte international neu 1 test lektion 3 worksheet** - Jun 07 2022

web feb 15 2021 [schritte international neu 1 test lektion 3 schritte international neu 1 test lektion 3 richardné kincses adrienne member for 2 years 10 months age 9 level anfänger language german de id 725556 15 02 2021 country code hu country hungary school](#)

[schritte international a1 1 lektion 5 flashcards quizlet](#) - Aug 09 2022

web [schritte international a1 1 lektion 5 flashcards learn test match created by uma hamzic terms in this set 85 machen to do to make die präsentation die präsentationen presentation frühstücken to eat breakfast einkaufen to buy to shop spazieren gehen to go for a walk aufräumen to clean up aufstehen to get up gehen to go](#)

[schritte international neu 5 hueber](#) - Mar 16 2023

web [renter ließ seine frau auf autobahnraststätte zurück wer werner h 61 und florian h 30 wann letzten monat wo sidney usa was passierte vater verwechselte bei online buchung sidney usa mit sydney australien und buchte falschen flug wer tess 58 und finn k 57 wann letzte woche wo](#)

[schritte international neu unterrichten einstufteststest hueber](#) - Dec 13 2022

web [start info unterrichten lernen einstufteststest materialien zum download schritte internat neu im beruf einstufteststest sichere einstuftung in das richtige sprachniveau einstufteststest stufe 1 2 a1 a1 1 a1 2 einstufteststest stufe 3 4 a2 a2 1 a2 2 einstufteststest stufe 5 6 b1 b1 1 b1 2](#)

[schritte international 1 test zu 5 lektion orientation sutd edu](#) - Feb 03 2022

web [schritte international 1 test zu 5 lektion nutze deine stärken trainiere deine schwächen eines der wichtigsten prinzipien der persönlichkeitsentwicklung ist die tatsache dass deine fähigkeit deine größte stärke](#)

[schritte international neu unterrichten hueber](#) - Feb 15 2023

web [lösungen und transkriptionen zu den hörtexten schritte international neu pdf 6 4 mb 5 september 2016 transkriptionen filme a1 1 pdf 335 8 kb 29 januar lektion 1 didaktisierung und kopiervorlage zum handyfilm a1 1 lektion 1 pdf 544 3 kb 11 april 2016 lektion 1 lückendiktat a1 1 lektion 1 pdf 488 kb 4 august 2017](#)

**[schritte international online Übungen hueber](#)** - Aug 21 2023

web [um diese seite nutzen zu können benötigen sie einen frames fähigen webbrowser](#)

[schritte international a1 1 lektionen 1 flashcards quizlet](#) - Jul 08 2022

web [schritte international a1 1 lektionen 1 words and additions learn with flashcards games and more for free zum beispiel example for example lektion die lektionen lesson seite die seiten side ergänzen lektion die lektionen fragen nach d hat gefragt fragte passen hat gepasst passte](#)

**[family style chinese cookbook authentic recipes from my](#)** - Aug 15 2023

web [dec 20 2016 family style chinese cookbook is an assemblage of family recipes that shanti collected during her time with](#)

families throughout china presented alongside endearing stories these recipes form a chinese cookbook that evokes a truly unique experience to excite your curious spirit and surprise your adventurous palate

[family style chinese cookbook authentic recipes from my](#) - Jun 13 2023

web dec 20 2016 family style chinese cookbook authentic recipes from my culinary journey through china kindle edition by christensen shanti yinn low bee download it once and read it on your kindle device pc phones or tablets

*family style chinese cookbook authentic recipes from my* - Dec 07 2022

web dec 20 2016 family style chinese cookbook authentic recipes from my culinary journey through china ebook christensen shanti yinn low bee amazon ca kindle store

[pdf epub family style chinese cookbook authentic recipes](#) - Feb 26 2022

web mar 6 2021 with family style chinese cookbook you ll find everything you need to cook home style chinese food from your very own kitchen including high quality authentic chinese family heirloom recipes cooking tips based on your personal preferences and suggested variations for hard to find ingredients guidance for stocking up on chinese

*10 of the best chinese cookbooks to make homemade chinese* - Jun 01 2022

web mar 1 2022 5 the food of sichuan 6 vegetarian chinese soul food deliciously doable ways to cook greens tofu and other plant based ingredients 7 chinese takeout cookbook from chop suey to sweet n sour over 70 recipes to re create your favorites 8 easy chinese recipes family favorites from dim sum to kung pao

*family style chinese cookbook simon schuster* - Jan 08 2023

web family style chinese cookbook is an assemblage of family recipes that shanti collected during her time with families throughout china presented alongside endearing stories these recipes form a chinese cookbook that evokes a truly unique experience to excite your curious spirit and surprise your adventurous palate

**family style chinese cook yumpu** - Apr 30 2022

web with our complete resources you could find pdf family style chinese cookbook authentic recipes from my culinary journey through china pdf xx english deutsch français español portuguê s italiano român nederlands latina dansk svenska norsk magyar bahasa indonesia türkçe suomi latvian lithuanian český русский

*5 easy family style chinese meals howstuffworks* - Jan 28 2022

web 4 apricot chicken pot stickers the perfect starter bite to set the tone for your chinese feast istockphoto thinkstock one of the hallmarks of great chinese food is a yummy appetizer to tempt the taste buds believe it or not apps like pot stickers aren t as tough to make as you think and add a lot of flair to your family style chinese meal

[best chinese cookbooks for 2023 authentic chinese recipe](#) - Jul 02 2022

web aug 14 2019 whether you want to faithfully recreate the dishes you love or discover new recipes to try these cookbooks

from chefs cooks and food writers who are experts on chinese cookery will guide you through ken hom s all encompassing guide to chinese cuisine 250 inspiring recipes for authentic chinese dishes

[family style chinese cookbook authentic recipes from my](#) - Feb 09 2023

web family style chinese cookbook authentic recipes from my culinary journey through china ebook christensen shanti yinn low bee amazon co uk kindle store

[family style chinese cookbook authentic recipes from my](#) - Apr 11 2023

web family style chinese cookbook is an assemblage of family recipes that shanti collected during her time with families throughout china presented alongside endearing stories these recipes form a chinese cookbook that evokes a truly unique experience to excite your curious spirit and surprise your adventurous palette

[family style chinese cookbook authentic recipes from my](#) - Jul 14 2023

web family style chinese cookbook is an assemblage of family recipes that shanti collected during her time with families throughout china presented alongside endearing stories these recipes form a chinese cookbook that evokes a truly unique experience to excite your curious spirit and surprise your adventurous palate

**9781623157616 family style chinese cookbook authentic recipes** - Oct 05 2022

web abebooks com family style chinese cookbook authentic recipes from my culinary journey through china 9781623157616 by christensen shanti and a great selection of similar new used and collectible books available now at great prices

[family style chinese cookbook authentic recipes from my](#) - Sep 04 2022

web buy the paperback book family style chinese cookbook authentic recipes from my culinary journey through china by shanti christensen at indigo ca canada s largest bookstore free shipping and pickup in store on eligible orders

**download family style chinese cookbook authentic recipes** - Mar 30 2022

web close try adfree self publishing discover

**family style chinese cookbook authentic recipes from m** - May 12 2023

web family style chinese cookbook is an assemblage of family recipes that shanti collected during her time with families throughout china presented alongside endearing stories these recipes form a chinese cookbook that evokes a truly unique experience to excite your curious spirit and surprise your adventurous palate

**cookbooks with authentic chinese recipes china expat society** - Dec 27 2021

web we found great authentic chinese recipes in fuchsia dunlop s cookbooks he prepared many recipes from her book land of plenty and revolutionary chinese cookbook my sister cooks from dunlop s latest book every grain of rice simple chinese home cooking to recreate some authentic chinese dishes back home after visiting us in

**family style chinese cookbook authentic recipes from my** - Mar 10 2023

web presented alongside endearing stories these recipes form a chinese cookbook that evokes a truly unique experience to excite your curious spirit and surprise your adventurous palate with family style chinese cookbook you ll find everything you need to cook home style chinese food from your very own kitchen including high quality authentic

**amazon com customer reviews family style chinese cookbook authentic** - Nov 06 2022

web find helpful customer reviews and review ratings for family style chinese cookbook authentic recipes from my culinary journey through china at amazon com read honest and unbiased product reviews from our users

family style chinese cookbook authentic recipes from my - Aug 03 2022

web family style chinese cookbook is an assemblage of family recipes that shanti collected during her time with families throughout china presented alongside endearing stories these recipes form a chinese cookbook that evokes a truly unique experience to excite your curious spirit and surprise your adventurous palette

**chemical engineering design elsevier inspection copies** - Nov 30 2022

web jan 13 2012 description chemical engineering design second edition deals with the application of chemical engineering principles to the design of chemical processes

**chemical engineering design principles practice and** - Apr 04 2023

web welcome to the website for towler sinnott chemical engineering design principles practice and economics of plant and process design 2nd edition

**chemical engineering design sciencedirect** - Nov 18 2021

**chemical engineering design principles practice and** - Jul 07 2023

web library of congress cataloging in publication data towler gavin p chemical engineering design principles practice and economics of plant and process design gavin

*pdf chemical engineering design principles practice and* - Jan 21 2022

web description chemical engineering design second edition deals with the application of chemical engineering principles to the design of chemical processes and equipment

*chemical engineering design principles practice and* - May 25 2022

web oct 6 2008 chemical engineering design principles practice and economics of plant and process design by g towler and r sinnott chemical engineering design

*chemical engineering design principles practice and* - Sep 28 2022

web chemical engineering design principles practice and economics of plant and process design gavin towler swansea uk publishing the first edition of

**chemical engineering design principles practice and** - Feb 02 2023

web sep 11 2020 welcome to the website for towler sinnott chemical engineering design principles practice and economics of plant and process design 2nd edition this

towler q site for q site for chemical engineering design 2e - Jan 01 2023

web description chemical engineering design second edition deals with the application of chemical engineering principles to the design of chemical processes and equipment

**chemical engineering design principles practice and** - Jul 27 2022

web chemical engineering design principles practice and economics of plant and process design chemical engineering design principles practice and economics of

**chemical engineering design principles practice and** - Jun 25 2022

web chemical engineering design principles practice and economics of plant and process design towler gavin amazon com tr kitap

chemical engineering design 2nd edition elsevier - Oct 30 2022

web chemical engineering design principles practice and economics of plant and process design gavin towler ray sinnott elsevier science 2008 science 1245 pages

*elsevier towler sinnott chemical engineering design* - Mar 03 2023

web written for the senior design course and also suitable for introduction to chemical engineering courses it covers the basics of unit operations and the latest aspects of

chemical engineering design edition 3 by gavin towler and - May 05 2023

web jul 14 2021 chemical engineering design principles practice and economics of plant and process design chemical engineering design principles practice and

**chemical engineering design sciencedirect** - Oct 10 2023

web chemical engineering design principles practice and economics of plant and process design is one of the best known and most widely adopted texts available for students of chemical engineering the text deals with the application of chemical engineering

chemical engineering design principles practice and economics - Dec 20 2021

**chemical engineering design 3rd edition elsevier** - Aug 08 2023

web jan 13 2012 bibtext endnote refman chemical engineering design second edition deals with the application of chemical engineering principles to the design of

**chemical engineering design principles practice and** - Sep 09 2023

web jul 14 2021 chemical engineering design principles practice and economics of plant and process design is one of the best known and most widely adopted texts

**chemical engineering design gavin towler ray** - Apr 23 2022

web written for the senior design course and also suitable for introduction to chemical engineering courses it covers the basics of unit operations and the latest aspects of

**chemical engineering design elsevier** - Jun 06 2023

web chemical engineering design principles practice and economics of plant and process design is one of the best known and most widely adopted texts available for students of

chemical engineering design principles practice and - Feb 19 2022

web apr 1 2022 chemical engineering design principles practice and economics of plant and process design towler gavin p free download borrow and streaming

chemical engineering design elsevier - Aug 28 2022

web chemical engineering design principles practice and economics of plant and process design g towler r sinnott published 2008 chemistry engineering bottom line

chemical engineering design principles practice and - Mar 23 2022

web download chemical engineering design principles practice and economics of plant and process design by gavin towler ph d dr r k sinnott chemical engineering