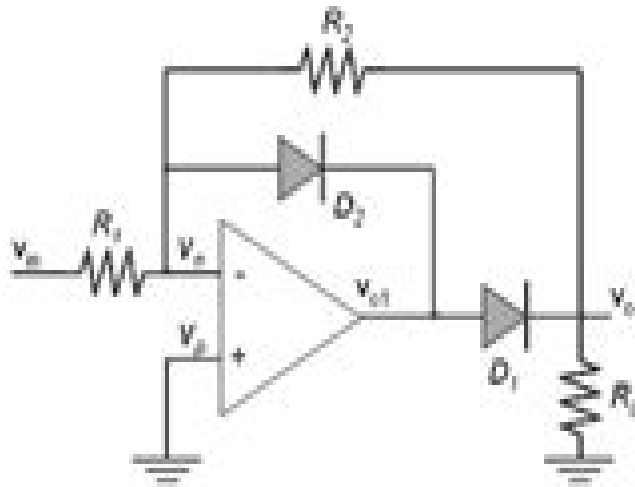


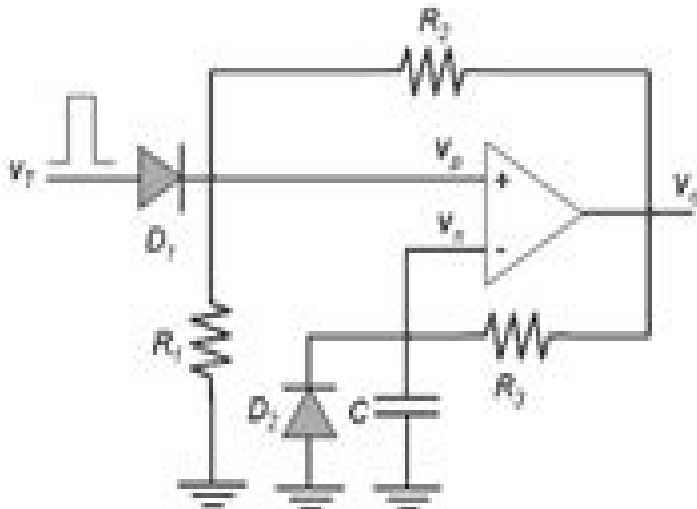
A non-saturating precision half wave rectifier is connected as shown below. If  $R_1 = 12k\Omega$ ,  $R_2 = 23k\Omega$ , diode forward voltage drop = 0.7V, and power supply =  $\pm 15V$ , then what is the output when the input is  $-2.4V$ ? (Enter your answer in V)



18

#### QUESTION 6

A pulse generator is connected as shown below, with  $R_1 = 1.2k\Omega$ ,  $R_2 = 8.8k\Omega$ ,  $V_{DD} = 15V$  and  $v_{in} = 15V$ . The diode forward voltage drop  $V_D = 0.7V$ . We wish to set up the circuit to give an output pulse of 1s in duration. If  $R_3 = 100k\Omega$ , what value of capacitor C is required? (Enter answer in  $\mu F$ , eg 4.21 $\mu F$  is entered as 4.21)



# Precision Power First Half Of The Centru

**Christian G. Meyer**



**Precision Power First Half Of The Centru:**

If you ally habit such a referred **Precision Power First Half Of The Centru** books that will have enough money you worth, get the definitely best seller from us currently from several preferred authors. If you desire to funny books, lots of novels, tale, jokes, and more fictions collections are moreover launched, from best seller to one of the most current released.

You may not be perplexed to enjoy all books collections Precision Power First Half Of The Centru that we will definitely offer. It is not on the order of the costs. Its practically what you obsession currently. This Precision Power First Half Of The Centru, as one of the most involved sellers here will certainly be in the midst of the best options to review.

<https://staging.gilderlehrman.org/public/detail/index.jsp/research%20guide%20to%20andean%20history%20bolivia%20chile%20ecuador%20and%20peru.pdf>

## **Table of Contents Precision Power First Half Of The Centru**

1. Understanding the eBook Precision Power First Half Of The Centru
  - The Rise of Digital Reading Precision Power First Half Of The Centru
  - Advantages of eBooks Over Traditional Books
2. Identifying Precision Power First Half Of The Centru
  - Exploring Different Genres
  - Considering Fiction vs. Non-Fiction
  - Determining Your Reading Goals
3. Choosing the Right eBook Platform
  - Popular eBook Platforms
  - Features to Look for in an Precision Power First Half Of The Centru
  - User-Friendly Interface
4. Exploring eBook Recommendations from Precision Power First Half Of The Centru
  - Personalized Recommendations
  - Precision Power First Half Of The Centru User Reviews and Ratings
  - Precision Power First Half Of The Centru and Bestseller Lists

5. Accessing Precision Power First Half Of The Centru Free and Paid eBooks
  - Precision Power First Half Of The Centru Public Domain eBooks
  - Precision Power First Half Of The Centru eBook Subscription Services
  - Precision Power First Half Of The Centru Budget-Friendly Options
6. Navigating Precision Power First Half Of The Centru eBook Formats
  - ePub, PDF, MOBI, and More
  - Precision Power First Half Of The Centru Compatibility with Devices
  - Precision Power First Half Of The Centru Enhanced eBook Features
7. Enhancing Your Reading Experience
  - Adjustable Fonts and Text Sizes of Precision Power First Half Of The Centru
  - Highlighting and Note-Taking Precision Power First Half Of The Centru
  - Interactive Elements Precision Power First Half Of The Centru
8. Staying Engaged with Precision Power First Half Of The Centru
  - Joining Online Reading Communities
  - Participating in Virtual Book Clubs
  - Following Authors and Publishers Precision Power First Half Of The Centru
9. Balancing eBooks and Physical Books Precision Power First Half Of The Centru
  - Benefits of a Digital Library
  - Creating a Diverse Reading Collection Precision Power First Half Of The Centru
10. Overcoming Reading Challenges
  - Dealing with Digital Eye Strain
  - Minimizing Distractions
  - Managing Screen Time
11. Cultivating a Reading Routine Precision Power First Half Of The Centru
  - Setting Reading Goals Precision Power First Half Of The Centru
  - Carving Out Dedicated Reading Time
12. Sourcing Reliable Information of Precision Power First Half Of The Centru
  - Fact-Checking eBook Content of Precision Power First Half Of The Centru
  - Distinguishing Credible Sources
13. Promoting Lifelong Learning

- Utilizing eBooks for Skill Development
  - Exploring Educational eBooks
14. Embracing eBook Trends
- Integration of Multimedia Elements
  - Interactive and Gamified eBooks

### **Precision Power First Half Of The Centru Introduction**

In the digital age, access to information has become easier than ever before. The ability to download Precision Power First Half Of The Centru has revolutionized the way we consume written content. Whether you are a student looking for course material, an avid reader searching for your next favorite book, or a professional seeking research papers, the option to download Precision Power First Half Of The Centru has opened up a world of possibilities. Downloading Precision Power First Half Of The Centru provides numerous advantages over physical copies of books and documents. Firstly, it is incredibly convenient. Gone are the days of carrying around heavy textbooks or bulky folders filled with papers. With the click of a button, you can gain immediate access to valuable resources on any device. This convenience allows for efficient studying, researching, and reading on the go. Moreover, the cost-effective nature of downloading Precision Power First Half Of The Centru has democratized knowledge. Traditional books and academic journals can be expensive, making it difficult for individuals with limited financial resources to access information. By offering free PDF downloads, publishers and authors are enabling a wider audience to benefit from their work. This inclusivity promotes equal opportunities for learning and personal growth. There are numerous websites and platforms where individuals can download Precision Power First Half Of The Centru. These websites range from academic databases offering research papers and journals to online libraries with an expansive collection of books from various genres. Many authors and publishers also upload their work to specific websites, granting readers access to their content without any charge. These platforms not only provide access to existing literature but also serve as an excellent platform for undiscovered authors to share their work with the world. However, it is essential to be cautious while downloading Precision Power First Half Of The Centru. Some websites may offer pirated or illegally obtained copies of copyrighted material. Engaging in such activities not only violates copyright laws but also undermines the efforts of authors, publishers, and researchers. To ensure ethical downloading, it is advisable to utilize reputable websites that prioritize the legal distribution of content. When downloading Precision Power First Half Of The Centru, users should also consider the potential security risks associated with online platforms. Malicious actors may exploit vulnerabilities in unprotected websites to distribute malware or steal personal information. To protect themselves, individuals should ensure their devices have reliable antivirus software installed and validate the legitimacy of the websites they are downloading from.

In conclusion, the ability to download Precision Power First Half Of The Centru has transformed the way we access information. With the convenience, cost-effectiveness, and accessibility it offers, free PDF downloads have become a popular choice for students, researchers, and book lovers worldwide. However, it is crucial to engage in ethical downloading practices and prioritize personal security when utilizing online platforms. By doing so, individuals can make the most of the vast array of free PDF resources available and embark on a journey of continuous learning and intellectual growth.

## **FAQs About Precision Power First Half Of The Centru Books**

1. Where can I buy Precision Power First Half Of The Centru books? Bookstores: Physical bookstores like Barnes & Noble, Waterstones, and independent local stores. Online Retailers: Amazon, Book Depository, and various online bookstores offer a wide range of books in physical and digital formats.
2. What are the different book formats available? Hardcover: Sturdy and durable, usually more expensive. Paperback: Cheaper, lighter, and more portable than hardcovers. E-books: Digital books available for e-readers like Kindle or software like Apple Books, Kindle, and Google Play Books.
3. How do I choose a Precision Power First Half Of The Centru book to read? Genres: Consider the genre you enjoy (fiction, non-fiction, mystery, sci-fi, etc.). Recommendations: Ask friends, join book clubs, or explore online reviews and recommendations. Author: If you like a particular author, you might enjoy more of their work.
4. How do I take care of Precision Power First Half Of The Centru books? Storage: Keep them away from direct sunlight and in a dry environment. Handling: Avoid folding pages, use bookmarks, and handle them with clean hands. Cleaning: Gently dust the covers and pages occasionally.
5. Can I borrow books without buying them? Public Libraries: Local libraries offer a wide range of books for borrowing. Book Swaps: Community book exchanges or online platforms where people exchange books.
6. How can I track my reading progress or manage my book collection? Book Tracking Apps: Goodreads, LibraryThing, and Book Catalogue are popular apps for tracking your reading progress and managing book collections. Spreadsheets: You can create your own spreadsheet to track books read, ratings, and other details.
7. What are Precision Power First Half Of The Centru audiobooks, and where can I find them? Audiobooks: Audio recordings of books, perfect for listening while commuting or multitasking. Platforms: Audible, LibriVox, and Google Play Books offer a wide selection of audiobooks.
8. How do I support authors or the book industry? Buy Books: Purchase books from authors or independent bookstores.

Reviews: Leave reviews on platforms like Goodreads or Amazon. Promotion: Share your favorite books on social media or recommend them to friends.

9. Are there book clubs or reading communities I can join? Local Clubs: Check for local book clubs in libraries or community centers. Online Communities: Platforms like Goodreads have virtual book clubs and discussion groups.
10. Can I read Precision Power First Half Of The Centru books for free? Public Domain Books: Many classic books are available for free as they're in the public domain. Free E-books: Some websites offer free e-books legally, like Project Gutenberg or Open Library.

### **Find Precision Power First Half Of The Centru :**

**research guide to andean history bolivia chile ecuador and peru**

research directions in object-oriented programming computer systems series

**republicanism liberty and commercial society 1649-1776 the making of modern freedom**

*reproducible littles for sight words grades k-2*

**representative plays by j m barrie the**

**research on russia and eastern europe women in postcommunism**

republic o/georgiamod wld nt modern world nations hardcover

**renegade regimes confronting deviant behavior in world politics**

**rescuing a neighborhood the bedford-stuyvestant volunteer ambulance corps**

report of the north carolina geological survey

**report factory**

research methods for english language teachers

**research in organizational change and development vol 7 research in organizational change and development**

**report containg an essay for the amendme**

*requiem for a rebel priest*

### **Precision Power First Half Of The Centru :**

pdf epub formula one the pursuit of speed a photographic - Oct 25 2022

web mar 23 2020 brief summary of book formula one the pursuit of speed a photographic celebration of f1 s greatest moments by maurice hamilton here is a quick description and cover image of book formula one the pursuit of speed a

photographic celebration of f1 s greatest moments written by maurice hamilton which  
[formula one the pursuit of speed google books](#) - Jul 02 2023

web aurum press sep 14 2017 photography 272 pages updated edition from the charismatic rivalries of juan manuel fangio and stirling moss and the highly competitive championship battles of

**formula one the pursuit of speed a photographic celebration** - Apr 30 2023

web formula one the pursuit of speed a photographic celebration of f1 s greatest moments hamilton maurice stewart jackie cahier paul henri cahier bernard 9781781315835 books amazon ca

**loading interface goodreads** - Dec 15 2021

web discover and share books you love on goodreads

**formula 1 the pursuit of speed reviewed racefans** - Nov 25 2022

web sep 24 2017 formula one the pursuit of speed a photographic celebration of f1 s greatest moments read all the f1 fanatic book reviews formula 1 the pursuit of speed author maurice hamilton publisher aurum press published 2017 pages 272 price 30 isbn 9781781317082 reviews charles leclerc and lando norris

[formula one the pursuit of speed a photographic celebration](#) - Sep 04 2023

web their stunning photographs chronicle both the changing face of the teams and their cars from lotus and cooper to williams and ferrari and of course the legendary drivers who have pushed their machines and themselves to the limits formula one correspondent maurice hamilton brings the stories behind these photographs to life from the

**read formula one the pursuit of speed a photographic** - Feb 14 2022

web read formula one the pursuit of speed a photographic celebration of f1 s greatest moments volume 1 formula one  
[formula one the pursuit of speed google books](#) - May 20 2022

web nov 1 2016 structured around three sections drivers and rivalries teams and cars and tragedy and triumph of the circuits formula 1 the pursuit of speed captures the intensity and beauty of the

[formula one the pursuit of speed volume 1 a photographic](#) - Jul 22 2022

web nov 3 2016 formula one the pursuit of speed volume 1 a photographic celebration of f1 s greatest moments formula one hardback maurice hamilton author paul henri cahier photographer bernard cahier photographer

**amazon com formula one the pursuit of speed a photographic** - Jun 01 2023

web nov 1 2016 amazon com formula one the pursuit of speed a photographic celebration of f1 s greatest moments ebook hamilton maurice stewart jackie cahier paul henri cahier bernard stewart jackie kindle store kindle store

[formula one the pursuit of speed a photographic celebration of](#) - Dec 27 2022

web formula one the pursuit of speed a photographic celebration of f1 s greatest moments ebook hamilton maurice stewart

jackie cahier paul henri cahier bernard stewart jackie amazon in kindle store

**formula one the pursuit of speed a photographic celebration of** - Oct 05 2023

web nov 1 2016 formula one the pursuit of speed a photographic celebration of f1 s greatest moments hamilton maurice

cahier paul henri cahier bernard stewart jackie on amazon com free shipping on qualifying offers

*formula one the pursuit of speed a photographic c* - Jan 16 2022

web line statement formula one the pursuit of speed a photographic c as skillfully as review them wherever you are now to life linda weintraub 2012 09 01 this title documents the burgeoning eco art movement from a to z presenting a panorama of artistic responses to environmental concerns

*formula one the pursuit of speed a photographic celebration of f1* - Aug 03 2023

web buy formula one the pursuit of speed a photographic celebration of f1 s greatest moments by hamilton maurice stewart

jackie cahier paul henri cahier bernard isbn 9781781317082 from amazon s book store free uk delivery on eligible orders

**formula one the pursuit of speed a photographic c pdf** - Apr 18 2022

web pursuit of speed a photographic c in pursuit of the perfect portfolio formula one 2021 five equations that changed the world the pursuit of holiness formula one racing for dummies formula 1 world champions f1 racing car coloring book formula one the pursuit of speed daniel ricciardo max verstappen formula one whs only the driver

**formula one the pursuit of speed a photographic celebration** - Sep 23 2022

web buy formula one the pursuit of speed a photographic celebration of f1 s greatest moments by hamilton maurice cahier

paul henri cahier bernard stewart jackie online on amazon ae at best prices fast and free shipping free returns cash on

delivery available on eligible purchase

**formula one the pursuit of speed a photographic celebration** - Jun 20 2022

web chronicling both the changing face of the teams and their cars from lotus and cooper to williams and ferrari and of course the legendary drivers who have pushed their machines and themselves to the limits these incredible photographs are from the archive of bernard cahier and his son paul henri who have been trackside capturing the drama

**formula one the pursuit of speed a photographic celebration of** - Feb 26 2023

web sep 14 2017 with over 300 photographs from the 1950s to the present day and many previously unpublished this stunning book is the ultimate celebration of formula one this new updated version includes photographs from rosberg s winning and retiring year

**d o w n l o a d formula one the pursuit of speed a photographic** - Mar 18 2022

web download formula one the pursuit of speed a photographic celebration of f1 s greatest moments volume 1 read online

download d o w n l o a d formula one the pursuit of speed a photographic celebration of f1 s greatest moments volume 1

formula one 1 e book read ebook online pdf epub kindle download

**formula one the pursuit of speed booktopia** - Aug 23 2022

web sep 14 2017 buy a discounted hardcover of formula one the pursuit of speed online from australia s leading online bookstore booktopia has formula one the pursuit of speed a photographic celebration of f1 s greatest moments by maurice hamilton

**formula one the pursuit of speed a photographic celebration** - Mar 30 2023

web maurice hamilton has been part of the formula one scene since 1977 and was the observe r s motor racing correspondent for 20 years he has written more than 20 books as well as commentating on formula one for bbc radio he is now actively involved with the online community on twitter and writes several blogs whilst continuing to write books

**formula one the pursuit of speed a photographic celebration** - Jan 28 2023

web formula one the pursuit of speed a photographic celebration of f1 s greatest moments ebook written by maurice hamilton read this book using google play books app on your pc android ios devices

*carrier evergreen 30hxa manuals manualslib* - Jul 13 2023

web manuals and user guides for carrier evergreen 30hxa we have 3 carrier evergreen 30hxa manuals available for free pdf download controls start up

**air cooled screw chillers 30xa a trane 0977760186** - Nov 24 2021

web heat pump carrier 30xw installation operation and maintenance instructions water cooled screw chillers water sourced screw heat pumps nominal cooling capacity 273

**controls start up operation service and troubleshooting carrier** - Jun 12 2023

web the carrier controller display configures the unit via the ccn carrier comfort network tables which are located in appendixc of this manual display module usage

[carrier 30xa operation instructions manual pdf](#) - Oct 24 2021

web carrier 30xa troubleshooting manual free ebook download as pdf file pdf text file txt or read book online for free troubleshooting manual for the carrier 30xa high

*carrier 30hs series installation start up and service* - Feb 08 2023

web view and download carrier 30hs series installation start up and service instructions manual online reciprocating liquid chillers 30hs series chiller pdf manual

[series 0 1 2 controls start up operation service and carrier](#) - Aug 14 2023

web this publication contains start up service controls operation and troubleshooting data for the 30gx080 265 and 30hxa c076 271 screw chillers circuits are identified as

**carrier comfortlink 30hxa manuals manualslib** - Apr 10 2023

web we have 1 carrier comfortlink 30hxa manual available for free pdf download controls start up operation service and troubleshooting carrier comfortlink 30hxa

**screw compressor air and water cooled liquid chillers 50 hz** - Sep 03 2022

web the 30hxc gx liquid chillers are designed to provide a very high level of safety during installation start up operation and maintenance they will provide safe and reliable

30gxn r080 528 link controls series 6 controls - Jan 07 2023

web control the chiller see table 1 when switched to the enable position the chiller is under its own control move the switch to the off position to shut the chiller down move the

**carrier 30hxc installation operation and maintenance instructions** - Jul 01 2022

web installation instructions read online or download pdf carrier 30hxa hxc076 186 water cooled and condenserless chillers user manual

**30hx carrier** - Feb 25 2022

web the 30hx water cooled chiller products for canada are limited in use to water systems to having a maximum pressure rating of 250 psig charges listed are for 30hxc units the

**nominal cooling capacity 30hxc 286 1300 kw 50 hz carrier** - Aug 02 2022

web view and download carrier 30hxc installation operation and maintenance instructions online screw compressor water cooled liquid chillers 30hxc chiller pdf manual

carrier 30hxa installation instructions manual - Dec 06 2022

web view and download carrier 30hxa installation instructions manual online water cooled and condenserless chillers 30hxa chiller pdf manual download also for hxc076

*aquaforce 30hx high efficiency indoor liquid* - Oct 04 2022

web in this manual the circuits are called circuit a and circuit b the compressors in circuit a are labelled a1 and a those in circuit b are labelled b1 and b the following abbreviations

30hx water cooled packaged screw chiller carrier - Dec 26 2021

web the 30xa liquid chillers are designed to provide a very high level of safety during installation start up operation and maintenance they will provide safe and reliable

**controls start up operation service and troubleshooting** - May 11 2023

web service and troubleshooting information for the 30xa080 501 air cooled liquid chillers with electronic controls the 30xa chillers are equipped with comfortlink controls and

**carrier water cooled chiller model 30hxa hxc 076 271 controls** - Apr 29 2022

web view and download carrier aqua force 30xa installation operation and maintenance instructions online air cooled liquid chillers aqua force 30xa chiller pdf manual

**30hxa carrier** - Nov 05 2022

web nominal cooling capacity 264 931 kw fixed speed drive easy operation dual independent refrigerant circuits smooth compression using twin screw compressors

**carrier 30hxa hxc076 186 water cooled and condenserless** - May 31 2022

web carrier water cooled chiller model 30hxa hxc 076 271 controls start up operation and service manual 1998 back to top sales hunter 713 851 7576 jamey 214 755 8019

*product data aquaforce condenserless and water cooled* - Jan 27 2022

web compatible with carrier comfort network ccn communication link heat recovery capability up to 135 f 57 22 c reliability features low voltage control circuits short

**carrier aqua force 30xa installation operation** - Mar 29 2022

web the 30hx units are high efficiency condenserless freshwater cooled or seawater cooled chillers suitable for installing in the ship s machinery space the units have a quiet low

**carrier 30xa troubleshooting manual pdf heat exchanger** - Sep 22 2021

**30xa xas xb xbp xw 30xa ze xw ze carrier** - Mar 09 2023

web the goal of this document is to give a broad overview of the main functions of the touch pilot system used to control 30xas single circuit air cooled chillers 30xa dual circuit

**electric drive solution manual pdf scribd** - Apr 14 2023

electrical drives jul 19 2022 from the point of view of a user this book covers all aspects of modern electrical drives it is aimed at both users who wish to understand design use and

[solution manual for electrical drive gopal matthew n o sadiku](#) - Nov 09 2022

amazon in buy electrical drives book online at best prices in india on amazon in read electrical drives book reviews author details and more at amazon in free delivery on

[solution manual for electrical drive gopal](#) - Mar 01 2022

electrical drives by gopal k dubey solution manual for electrical driveelectric drive solution manual free download as pdf file pdf text file txt or read online for free

**pdf solution manual for electrical drive gopal** - Mar 13 2023

aug 3 2023 solution manual for electrical drive gopal 1 9 downloaded from uniport edu ng on august 3 2023 by guest  
solution manual for electrical drive gopal when somebody

**solution manual for electrical drive gopal katsuhiko ogata** - Jan 31 2022

may 26 2023 solution manual for electrical drive gopal 2 8 downloaded from uniport edu ng on may 26 2023 by guest users  
of electric motors and drives this book explains how

**solution manual for electrical drive gopal pdf uniport edu** - Oct 08 2022

mar 25 2023 you could purchase guide solution manual for electrical drive gopal or acquire it as soon as feasible you could  
speedily download this solution manual for electrical drive

**solution manual for electrical drive gopal pdf uniport edu** - Apr 02 2022

fundamentals of electric drives mohamed a el sharkawi 2000 this text fills a need for a textbook that presents the basic topics  
and fundamental concepts underlying electric

**solution manual to fundamentals of electrical drives** - Sep 19 2023

solution manual to fundamentals of electrical drives author gopal k dubey publisher narosa publishing 1995 isbn 817319050x  
9788173190506 length 123 pages export

*solution manual for electrical drive gopal download only usa* - Dec 30 2021

jun 23 2022 electrical power system mcq power system objective questions and answers pdf download hindi english  
electrical drives objective mcq in hindi pdf download in

*gk dubey solutions of electric drive pdf e books scribd* - Jun 16 2023

mar 21 2023 read free solution manual for electrical drive gopal pdf for free electric drives electric drives electrical drives  
fundamentals of electrical drives

**solution manual for electrical drive gopal pdf uniport edu** - Feb 12 2023

jun 21 2023 solution manual for electrical drive gopal 1 7 downloaded from uniport edu ng on june 21 2023 by guest  
solution manual for electrical drive gopal yeah reviewing a

fundamentals of electrical drives second edition paperback - Jun 04 2022

mar 2 2023 solution manual for electrical drive gopal but end up in infectious downloads rather than enjoying a good book  
with a cup of tea in the afternoon instead they cope with

*electrical drives objective questions and answers pdf* - Oct 28 2021

electrical drives paperback 1 january 2010 amazon in - Sep 07 2022

solution manual to fundamentals of electrical drives gopal k dubey 1995 implementing the water energy food ecosystems

nexus and achieving the sustainable development goals

**pdf fundamentals of electrical drives by gopal k** - Dec 10 2022

fundamentals of electrical drives dubey gopal k 2002 06 13 encouraged by the response to the first edition and to keep pace with recent developments fundamentals of electrical

*fundamentals of electrical drives 2001 gk dubey gopal k* - Jul 17 2023

fundamentals of electrical drives has ratings and 43 reviews fundamentals of electric drives dubey solution manual

fundamentals of electric drives by g k dubey

[electric drive solution manual nl3vr9nexvq1 doku](#) - Aug 18 2023

fundamentals of electrical drives 2001 gk dubey gopal k dubey free ebook download as pdf file pdf text file txt or read book online for free fundamentals of electrical

*solution manual for electrical drive gopal pdf uniport edu* - Jan 11 2023

apr 23 2023 electrical drives second edition incorporates greater details on semi conductor controlled drives includes coverage of permanent magnet ac motor drives and switched

*solution manual for electrical drive gopal uniport edu* - May 03 2022

electric motors and drives austin hughes 2013 10 22 written for non specialist users of electric motors and drives this book explains how electric drives work and compares the

**solution manual for electrical drive gopal pdf uniport edu** - Aug 06 2022

contents were chosen to satisfy the changing needs of the industry and provide the appropriate coverage of modern and conventional drives with the large number of examples problems

*solution manual for electrical drive gopal uniport edu* - Nov 28 2021

**read free solution manual for electrical drive gopal pdf for** - May 15 2023

electric drive solution manual free download as pdf file pdf text file txt or read online for free electric drive systems solution manual

[solution manual for electrical drive gopal pdf pdf](#) - Jul 05 2022

jun 7 2023 solution manual for electrical drive gopal is available in our digital library an online access to it is set as public so you can get it instantly our book servers hosts in